

## Sunkye R016 Micro Circular Connector

### 1. Brief Introduction

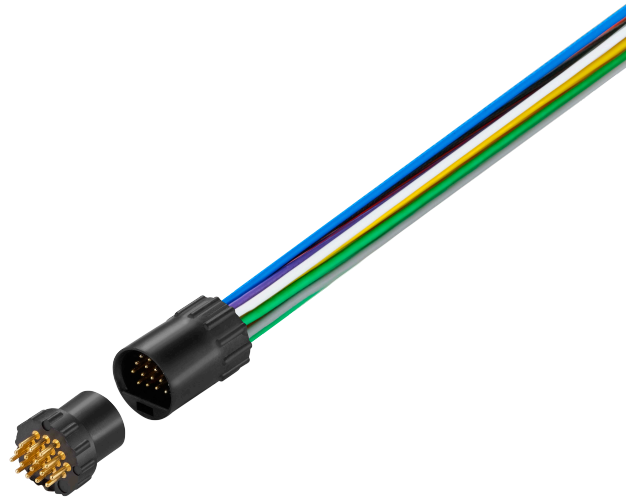
This Micro Circular Connector is a cylindrical connector designed for the application requiring rugged, high-performance, high-density pitch interconnects with a density of 1.27mm. Receptacle with 26AWG wire, plug with straight to PCB termination & plug can be with wire, simple structure & good performance, and it's widely used in medical, electronics and other fields.

### Design Feature and Benefits

- z Simple structure, competitive price
- z Convenient to use, extensive usage
- z Receptacle with PTFE 26AWG wire
- z Plug with straight to PCB termination & plug can be with cable

### Performance Index

- z Plug contact: Rigid Contact
- z Nos. of contact: 12pins, 16pins
- z Rated Current: 2A
- z Insulation resistance:  $\geq 5000 \text{ M}\Omega$   
Dielectric strength: 500V
- z Contact resistance:  $\leq 10 \text{ m}\Omega$   
Durability: 50 Cycles
- z Working temperature:  $-40^{\circ}\text{C} \sim +85^{\circ}\text{C}$
- z Vibration: 10 Hz~1500Hz,  $120 \text{ m/s}^2$
- z Mechanical Shock:  $980 \text{ m/s}^2$
- z Random vibration: Power spectral density  $0.3 \text{ G}^2/\text{Hz}$ , Root-mean-square value of total acceleration: 20.0



## 4. Connector Materials and Surface Treatment

Parts	Materials	Surface Finished
Pin	Copper alloy	Gold 2μm
Housing	PPS	/

## 5. Environment Protect data (ROHS)

matter	Hg	Pb	Cr(VI)	PBB	PBDE	Cd
meet	or	exempt	meet	exempt	meet	meet

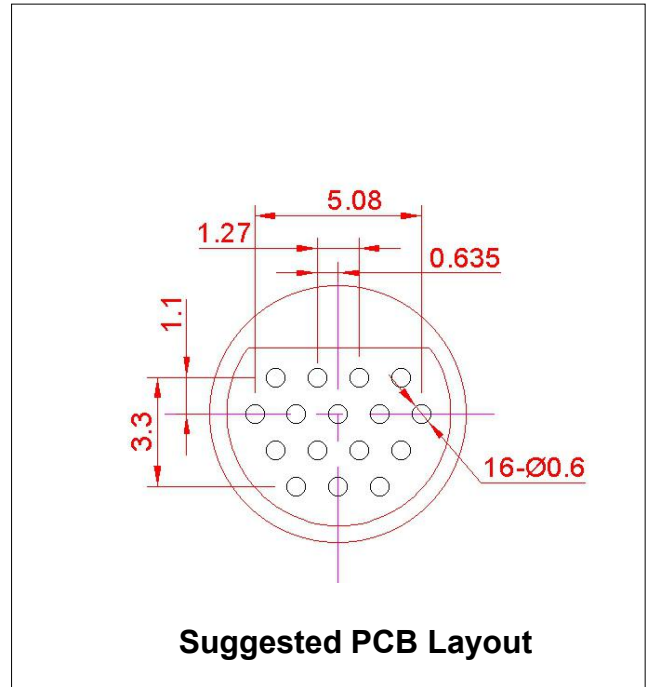
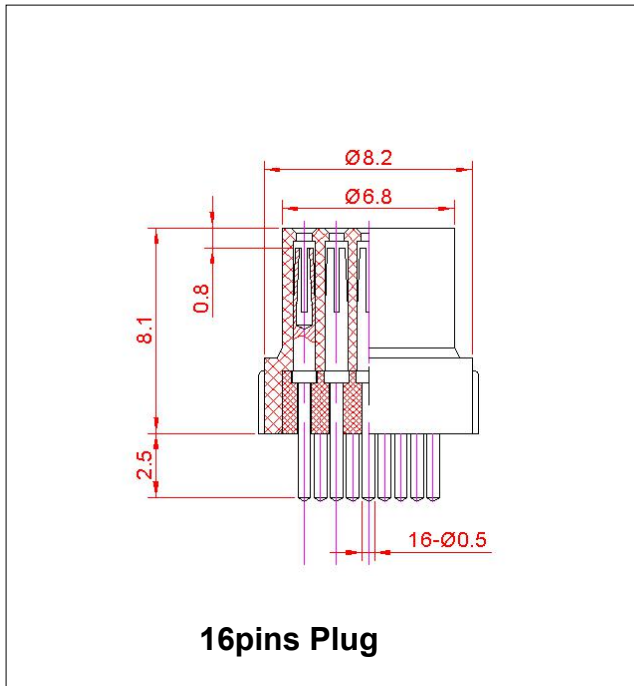
## 6. How to order

<b>Sample Part Number</b>	<b>R016</b>	<b>- 12</b>	<b>RI</b>	<b>A</b>
<b>Sunkye R016 Micro Circular Connector</b>				
<b>No. of contacts:</b> 12,16 pins				
<b>Contact Type &amp; Termination Type:</b>				
PH- Socket in plug, straight to PCB				
RI - pin in receptacle				
<b>Wires Type &amp; Length:</b>				
A - PTFE 26AWG ,180mm				
B - PTFE 26AWG ,500mm				
C - PTFE 26AWG ,1000mm				
D - PTFE 26AWG ,Non standard length.(Please specify the wire length)				
Omit for Straight to PCB connectors.				

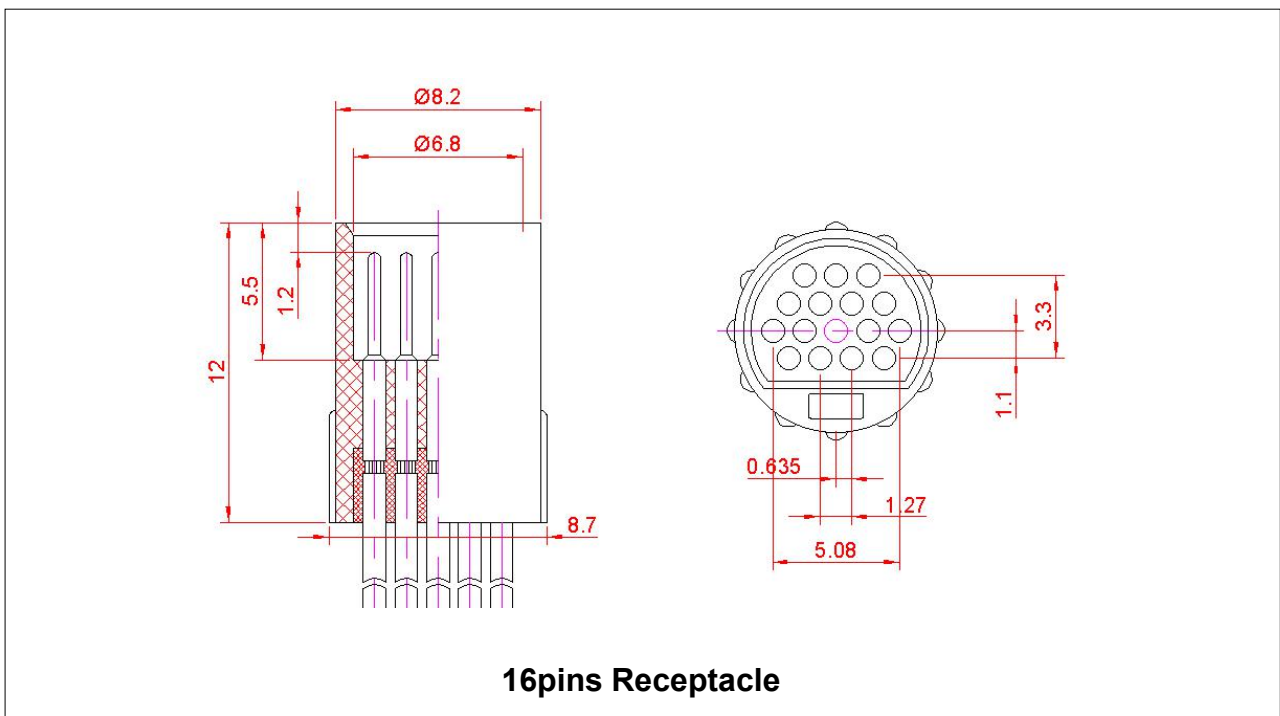
## 7. Outline Dimension

### 7.1 16Pins Micro Circular Connector

#### 7.1.1 Plug(PH) - Straight to PCB



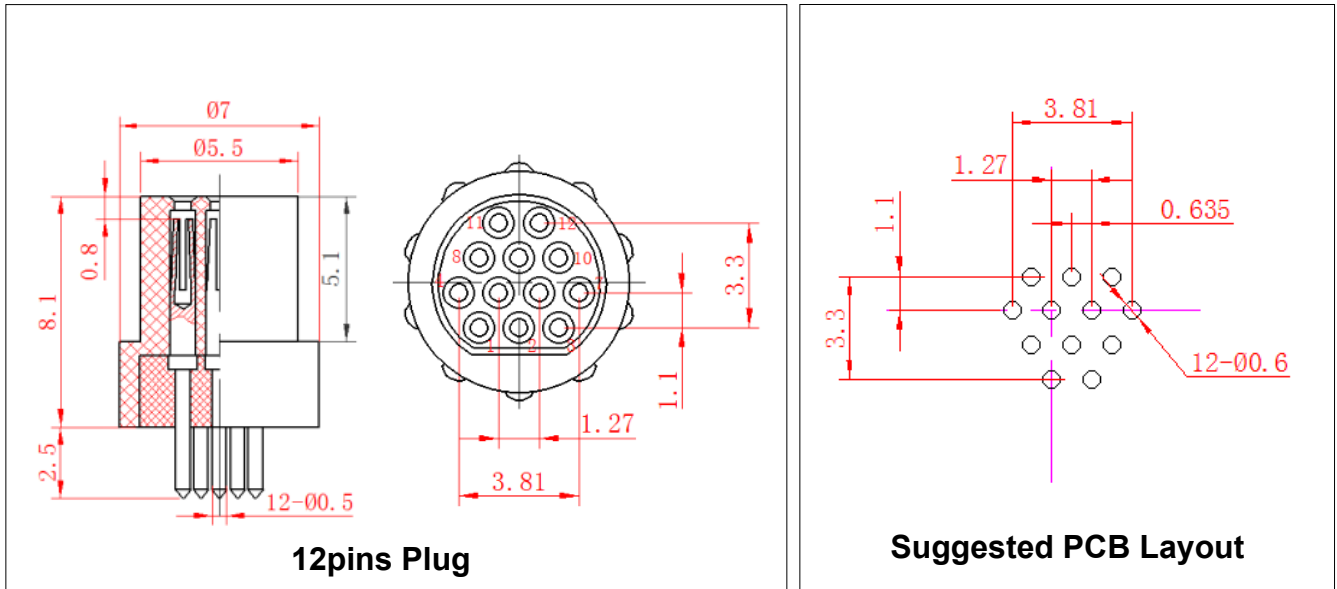
#### 7.1.2 Receptacle(RI) - with PTFE 26AWG wire



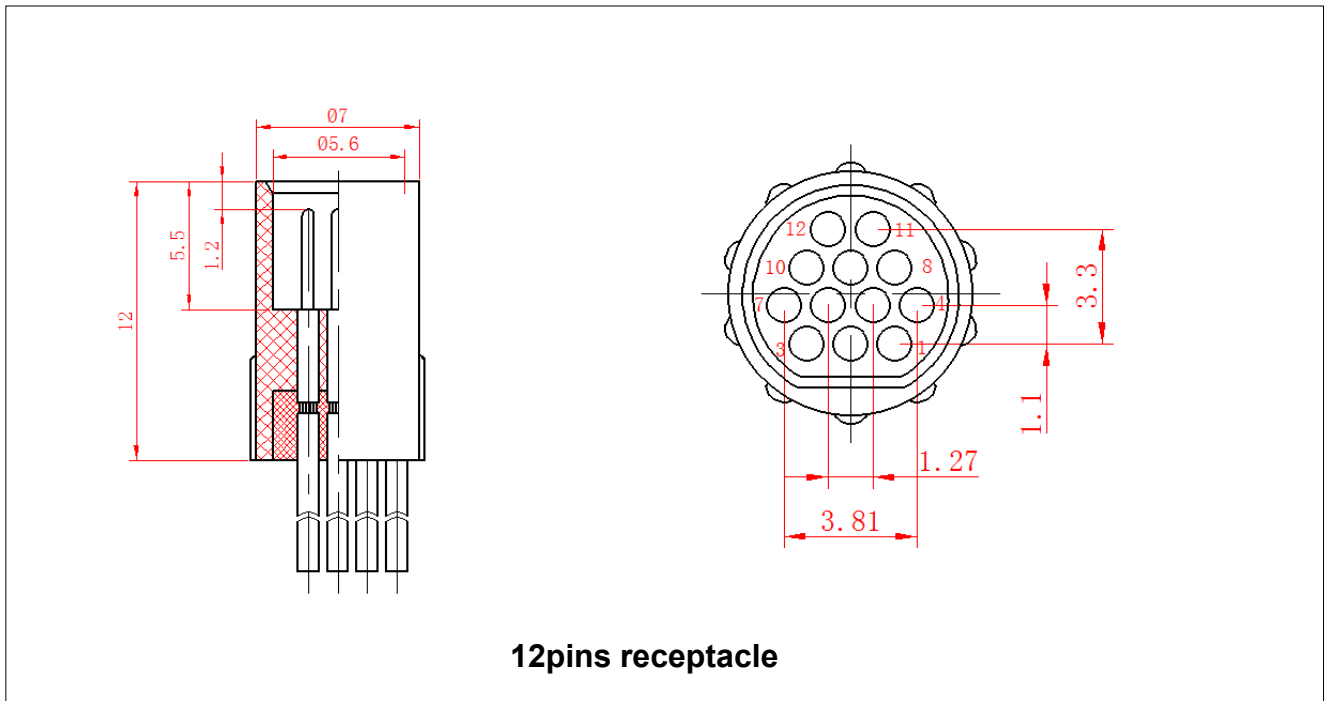
Note:all dimensions are in mm.

## 7.2 12pins Micro Circular Connector

### 7.2.1 Plug(PH) - Straight to PCB

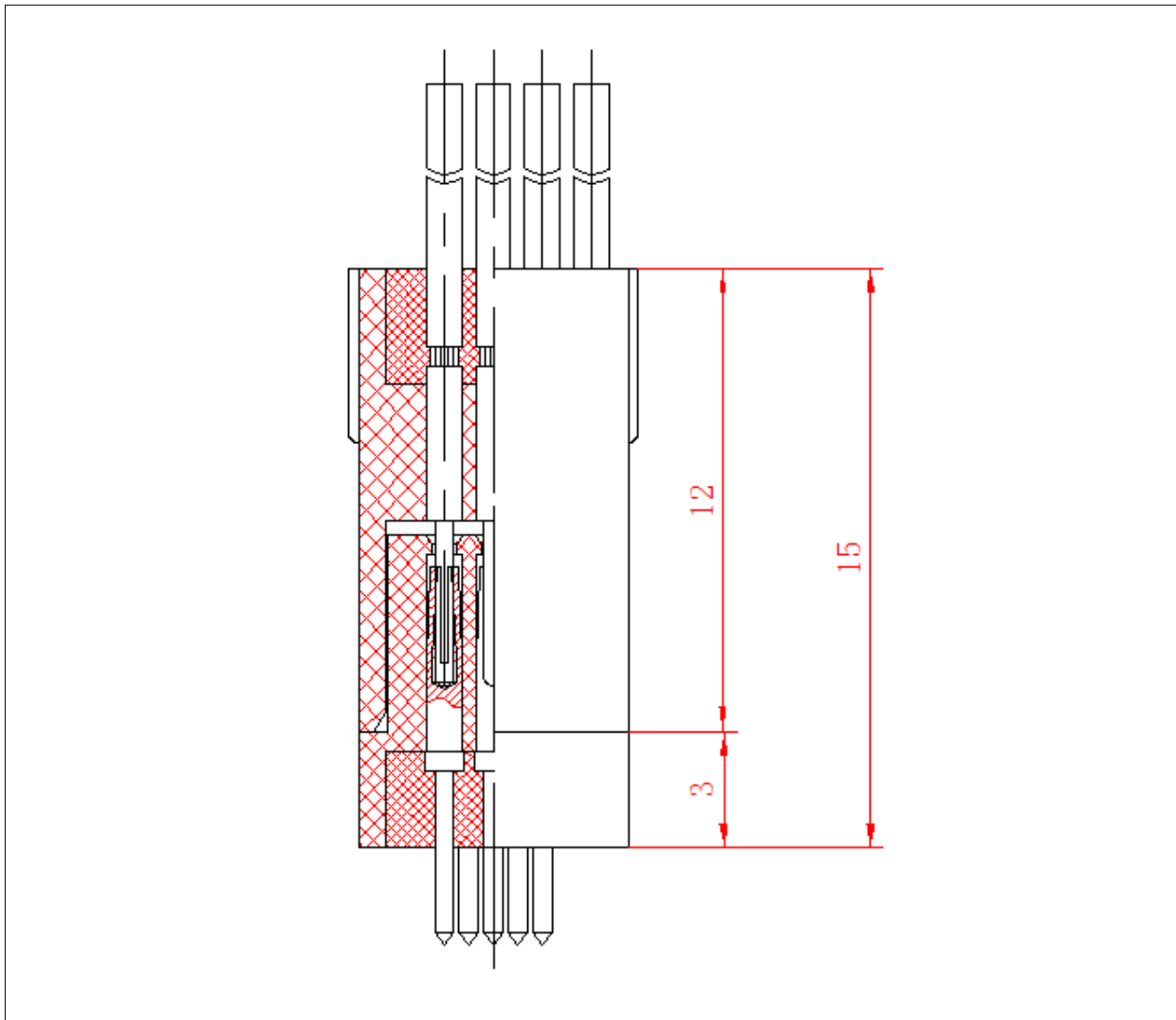


### 7.2.2 Receptacle(RI) - with PTFE 26AWG wire



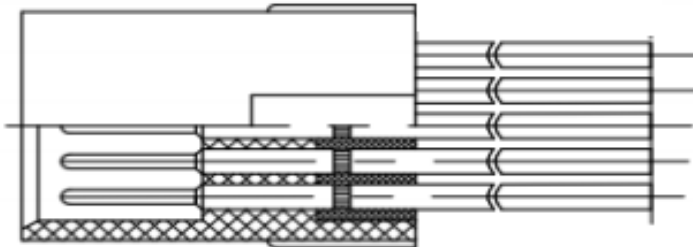
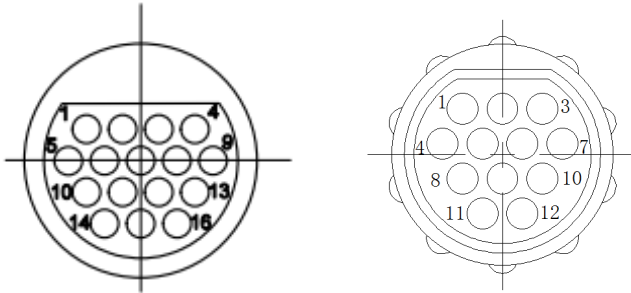
Note:all dimensions are in mm.

## 7.3 Outline Dimension after mating



Note:all dimensions are in mm.

## 7.4 Cable Chart



### Technical Requirments:

1. Wires type: PTFE 26AWG
2. Wires color must fit the corresponding color in the table;
3. Unmarked tolerance of form and position shall follow GB/T1804-H;
4. The length of wire depends on order requirments.

Pin	Cable Color
1	Red/White
2	Yellow/White
3	Blue/White
4	Green/White
5	Red
6	Yellow
7	Blue
8	Green
9	Copper Brown
10	Black Brown
11	Light Blue
12	Orange
13	Purple
14	Black
15	White
16	Gray