

TWIST PIN CONTACT TECHNOLOGY

Sunkye has teamed our Proven twist pin Technology with these custom designed insulators capable of meeting the extreme mechanical and electrical needs in the harshest environments of military/aerospace and industrial applications such as Down Hole Directional Drilling.

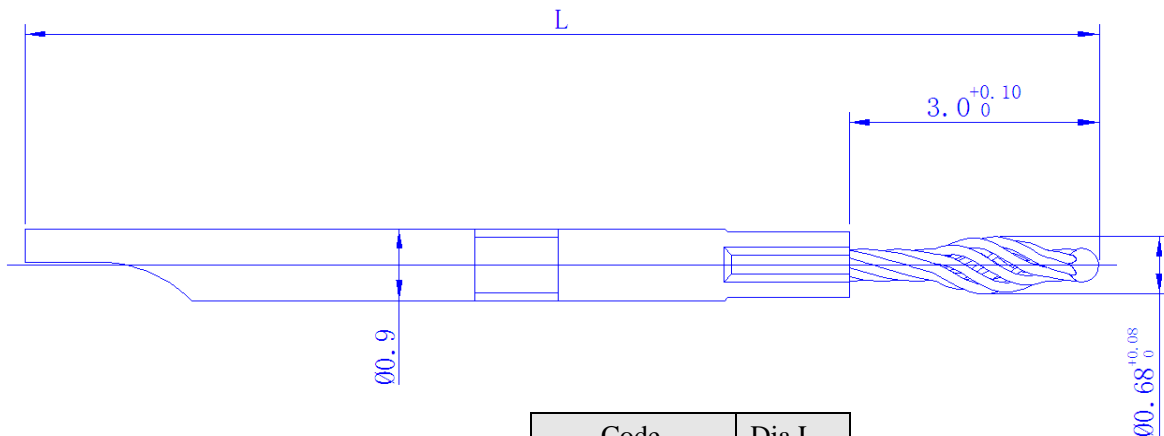
Product Offerings

- Full harnessing capabilities ranging from simple point-point to complex with many branches
- Custom configurations and modifications Available to fit unique packaging and design requirements
- Combine the twist pin performance with increased temperature range
- BeCu wire strands provide seven points of electrical contact
- Achieve high mating cycles and better resistance to shock and vibration
- Approved system applications (Aerospace, Defense and Geo-thermal)
- **Mil-DTL-83513**
Contact resistance : $\leq 10\text{m}\Omega$
Vibration: 10 ~ 2000Hz, 196m/s²
Shock: 735m/s²
Rated current: 3A
Durability: 500times
- **Mil-DTL-32139**
Contact resistance : $\leq 21\text{m}\Omega$
Vibration: 10 ~ 2000Hz, 196m/s²
Shock: 980m/s² 6ms
Rated current: 1A
Durability: 200times



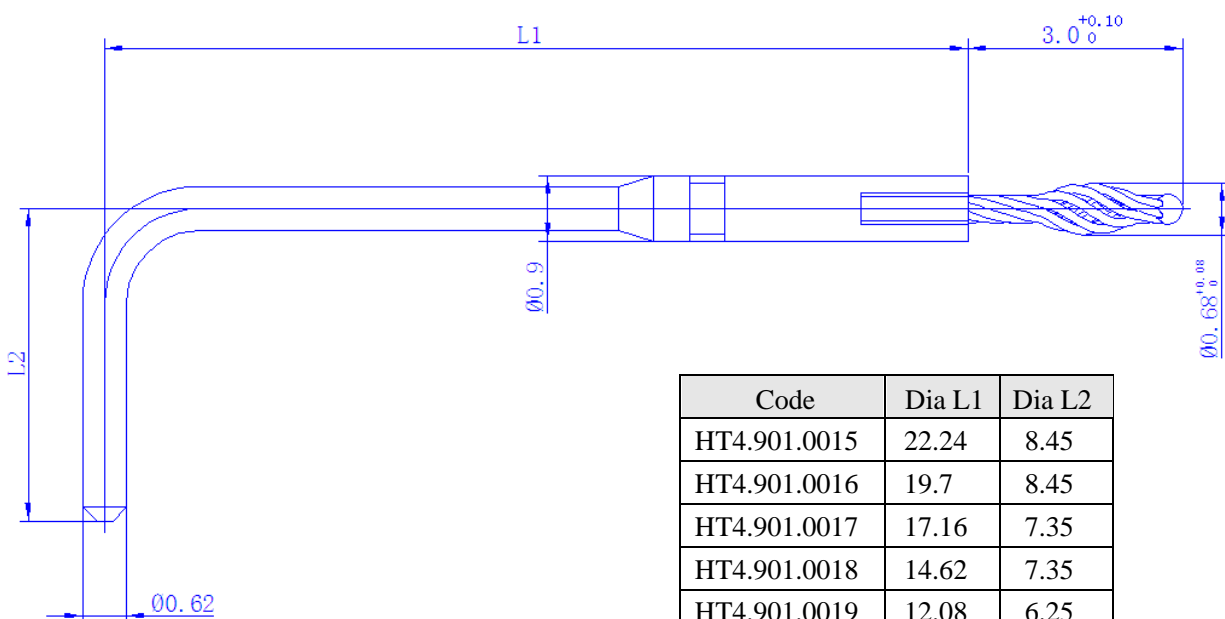
MIL-DTL-83513 series contacts

Item 1:PN: HT4.901.0031/0032



Code	Dia L
HT4.901.0031	14.9
HT4.901.0032	12.9

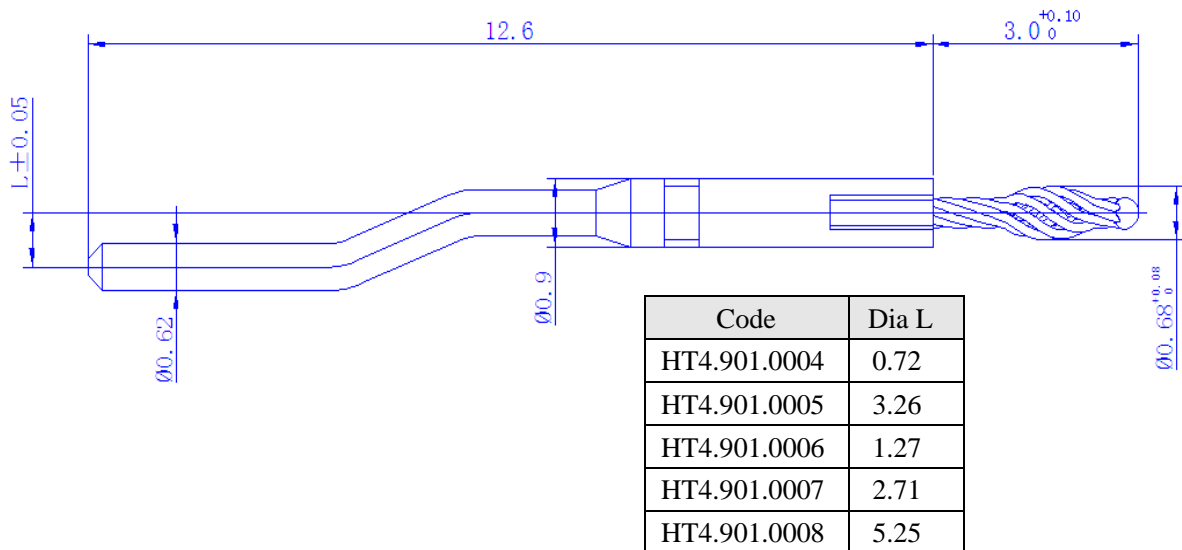
Item 2:PN: HT4.901.0015/0020



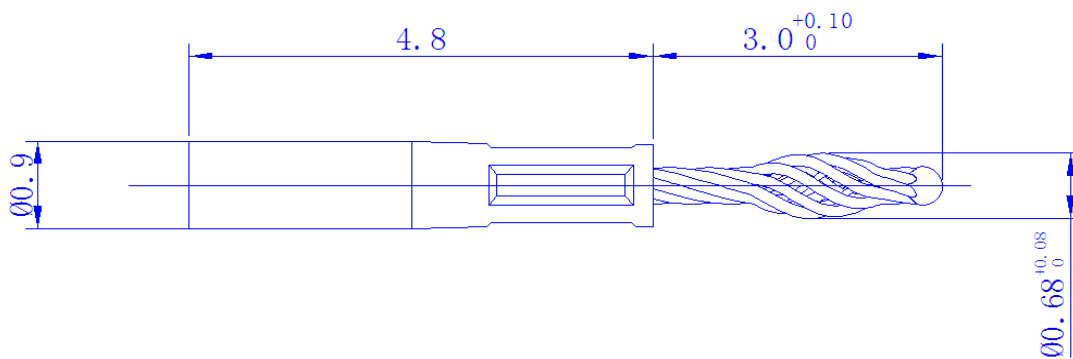
Code	Dia L1	Dia L2
HT4.901.0015	22.24	8.45
HT4.901.0016	19.7	8.45
HT4.901.0017	17.16	7.35
HT4.901.0018	14.62	7.35
HT4.901.0019	12.08	6.25
HT4.901.0020	9.54	6.25

MIL-DTL-83513 series contacts

Item 3:PN: HT4.901.0004/0008

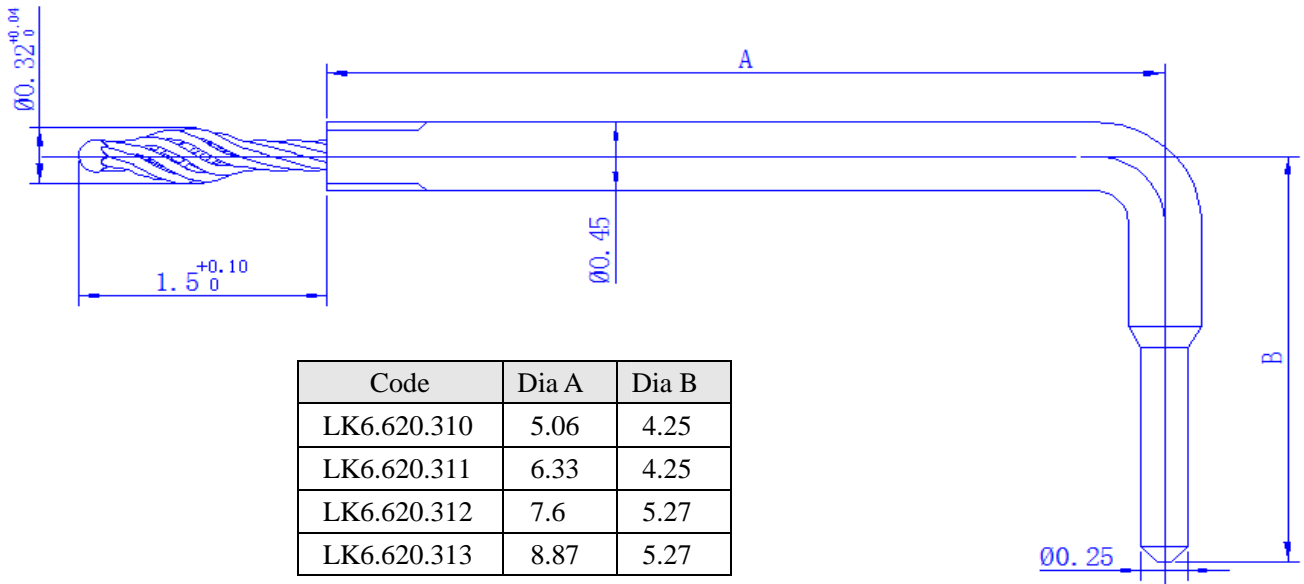


Item 4:PN: HT4.901.0002



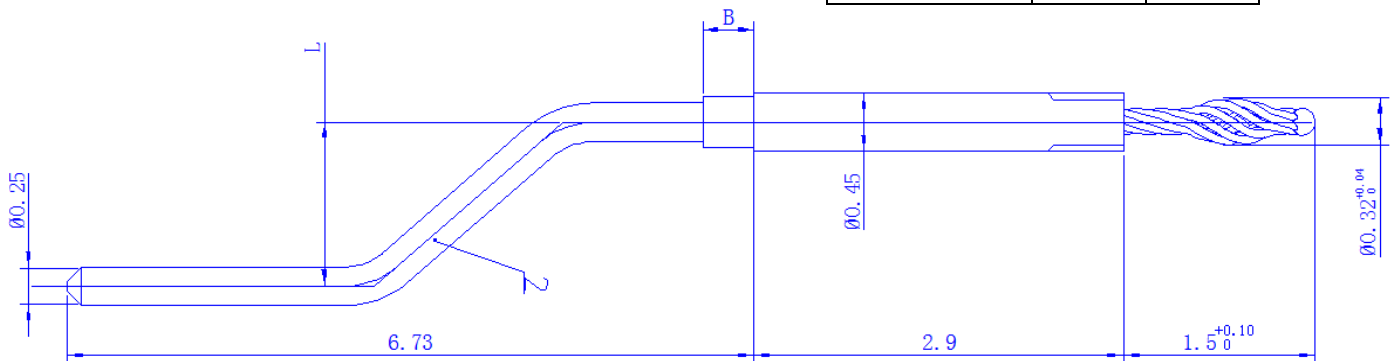
MIL-DTL-32139 series contacts

Item 5: PN:LK6.620.310/313



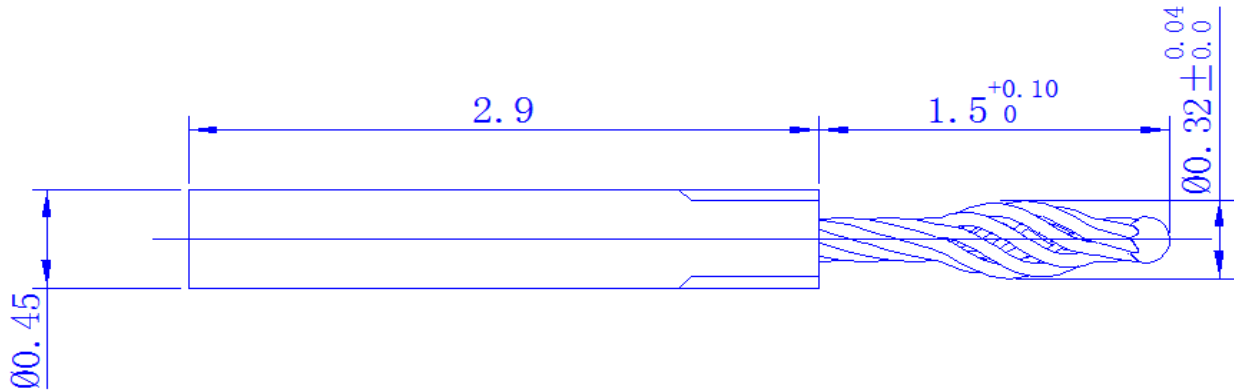
Item 6: LK6.620.306/309

Code	Dia L	Dia B
LK6.620.306	0	0.4
LK6.620.307	0.25	0.8
LK6.620.308	1.27	0.4
LK6.620.309	1.52	0.8

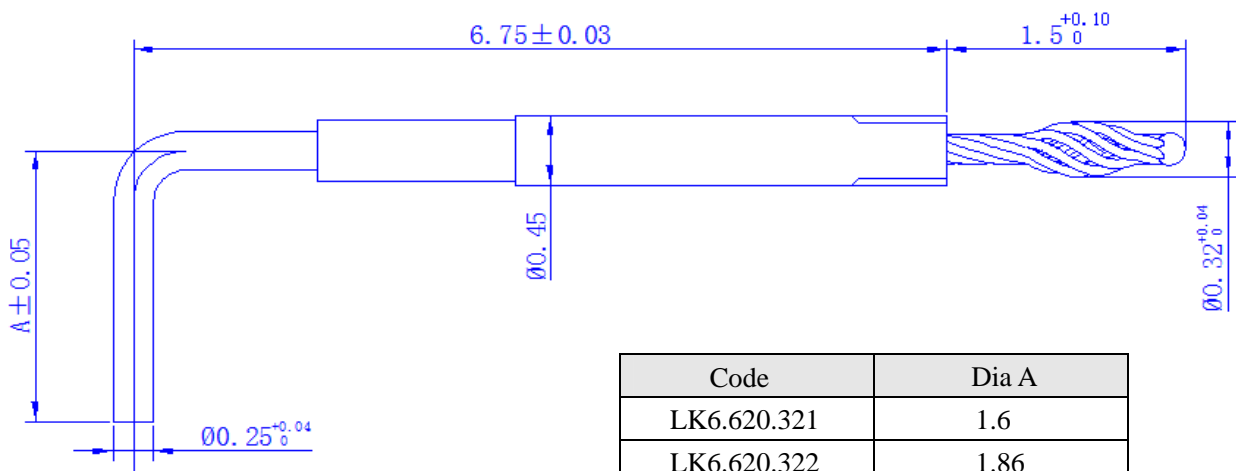


MIL-DTL-32139 series contacts

Item 7: PN: HT4.901.0060



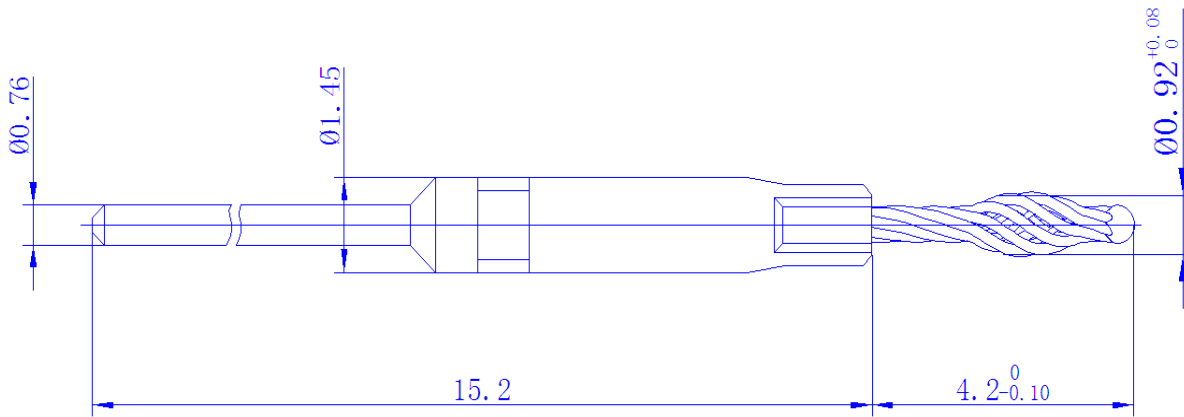
Item 8: PN:LK6.620.321/322



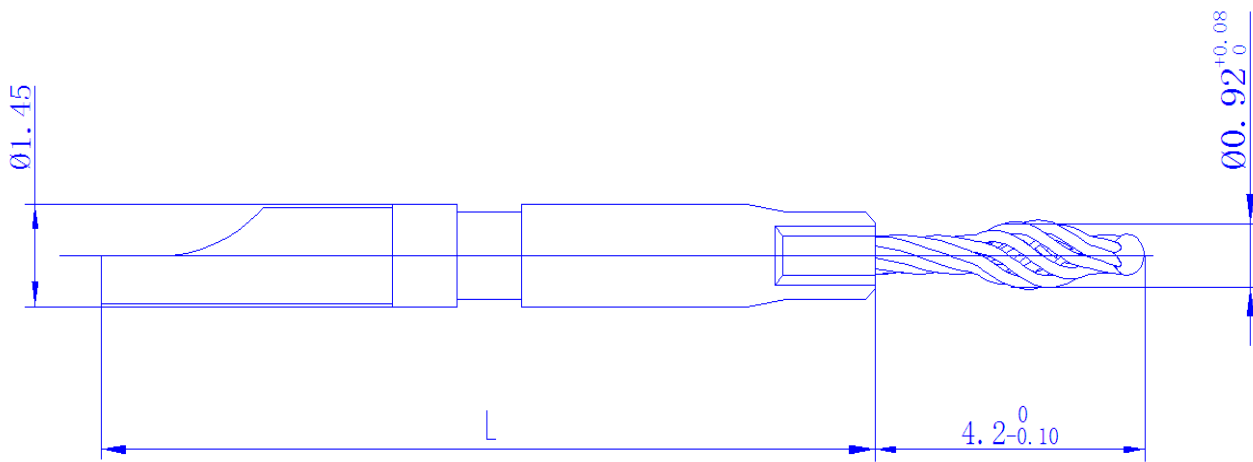
Code	Dia A
LK6.620.321	1.6
LK6.620.322	1.86

Specifications versus other contacts

Item 9: PN:HT4.901.0025



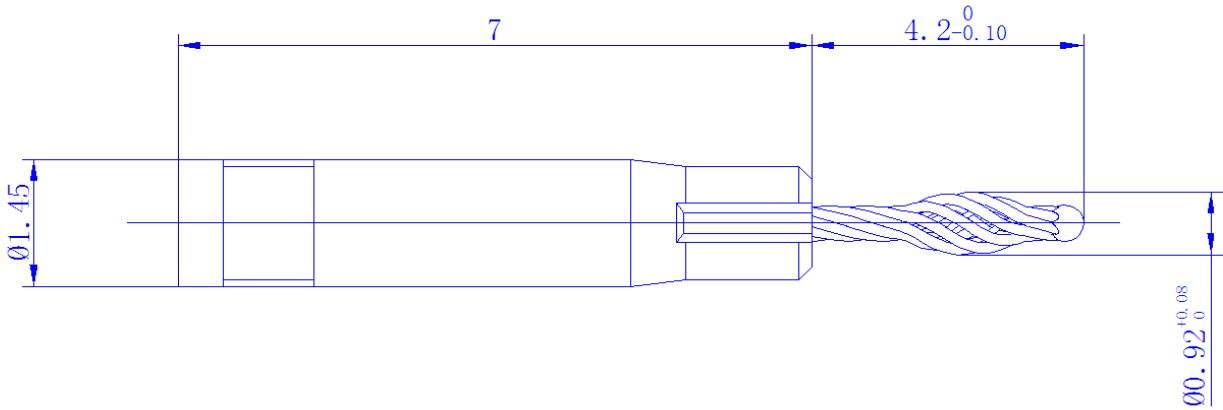
Item 10: PN:HT4.901.0013/0033



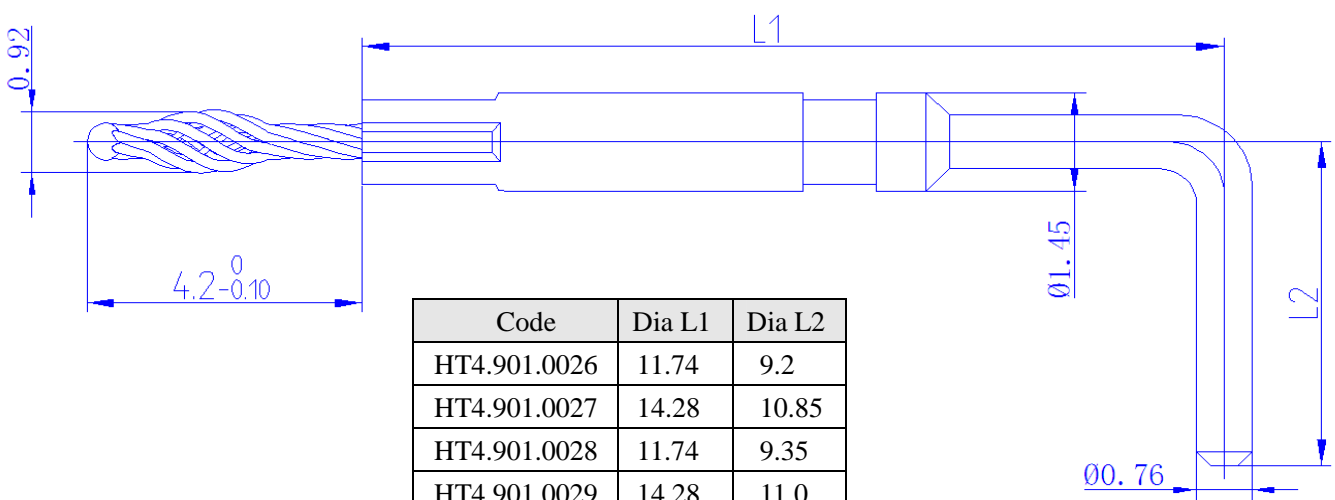
Code	Dia L
HT4.901.0013	12.5
HT4.901.0033	14.3

Specifications versus other contacts

Item 11: PN:HT4.901.0003



Item 12: PN:HT4.901.0026/0030



Code	Dia L1	Dia L2
HT4.901.0026	11.74	9.2
HT4.901.0027	14.28	10.85
HT4.901.0028	11.74	9.35
HT4.901.0029	14.28	11.0
HT4.901.0030	16.82	12.65

Assembly demonstration drawing versus twist pins

