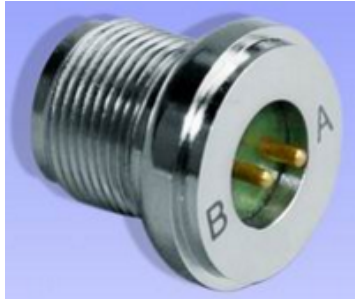


D109 Glass-sinter Sealed Circular Connector



Brief introduction

- Contacts:2pins
- Glass-sinter sealed
- Withstand high temperature and high voltage
- Application:oil exploration and other harsh environment application.
- Standard:E/SC-A(3)29-2006

Specification

- Withstand voltage $\geq 1200V_{rms}$
- Insulation resistance $\geq 5000M\Omega$ (500Vdc)
- Leakage: $1 \times 10^{-9} Pa \cdot m^3/S$
- Salt spray:96hours

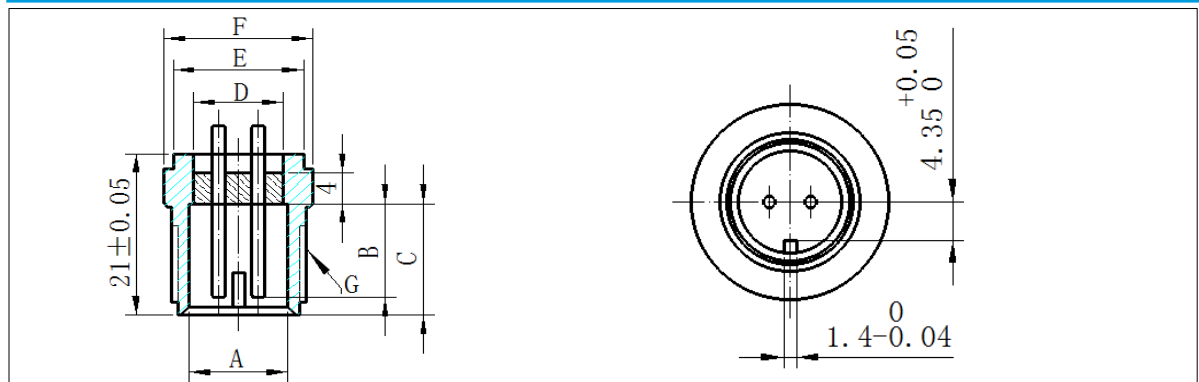
How to order

| | | | | |
|---|-------------|-----------|-----------|----------|
| Sample Part Number | D109 | -2 | RI | S |
| Serial number: D109-Regular D109A-Small | | | | |
| Contacts:2Pins | | | | |
| Contact Type: RI- pin in receptacle | | | | |
| Terminational type: S- Straight to PCB | | | | |

Material and Finish

| Item | Material | Finish |
|-----------|----------------------------------|--------------------------|
| Contacts | 4J29 (alloy) | Gold plating over nickel |
| Shell | 4J50 (Anti heat stainless steel) | |
| Insulator | Glass powder | |

Outline dimension



| Part Number | A | B | C | D | E | F | G |
|-------------|-------|------|------|------|-------|-------|----------------|
| D109A-2RIS | 11.52 | 12.2 | 14.5 | 10.5 | 15.25 | 17.4 | 5/8-24 UNEF-2A |
| D109-2RIS | 11.52 | 12.2 | 14.5 | 10.5 | 19.95 | 22.23 | 5/8-24 UNEF-2A |

Note: all dimensions are in mm.