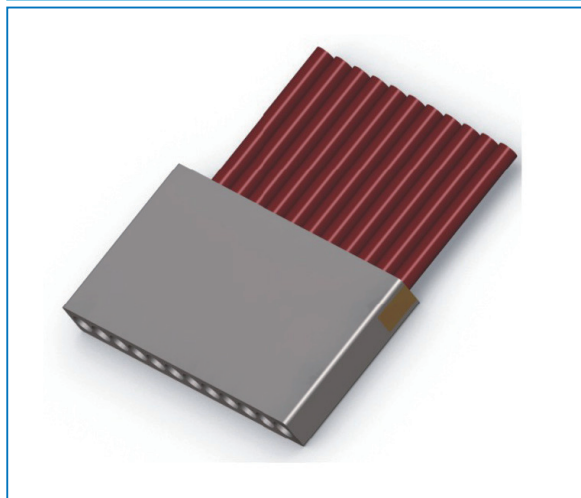
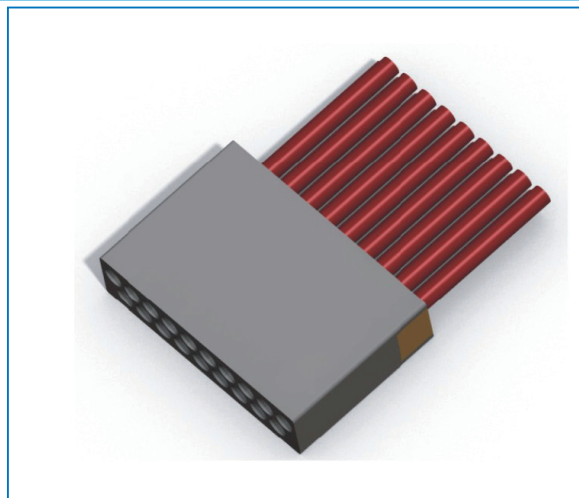


■ Plug

Product solid picture

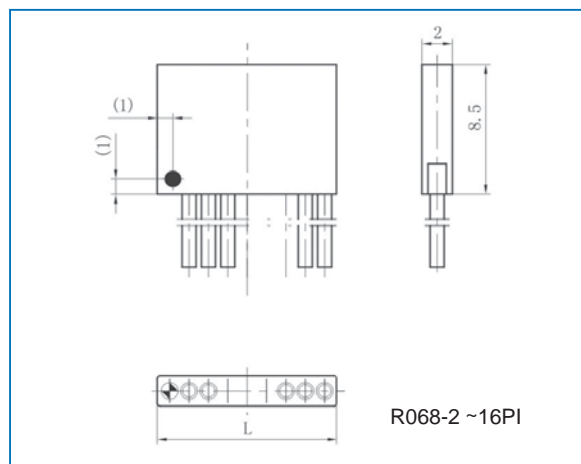


R068-11PI

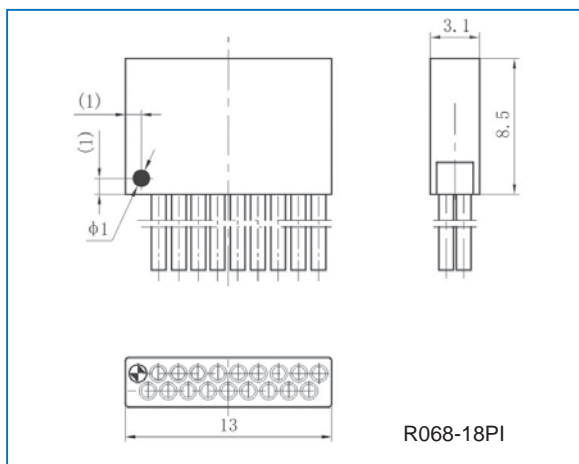


R068-18PI

Appearance dimension



R068-2 ~16PI



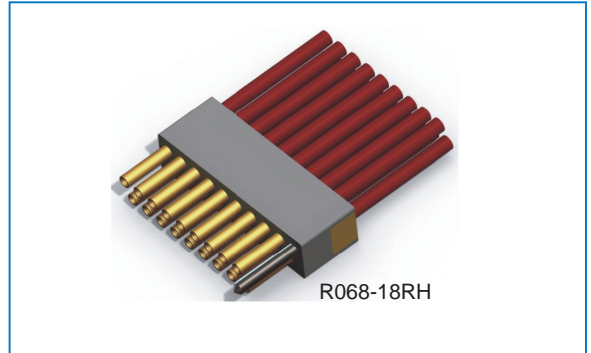
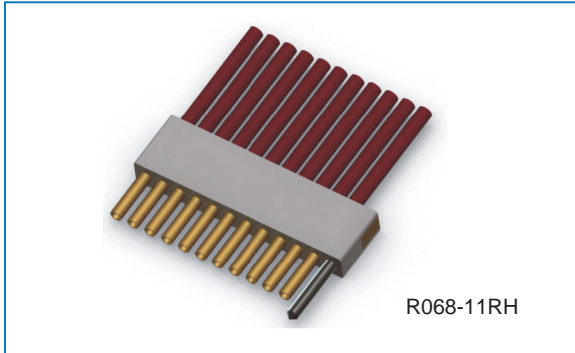
R068-18PI

Part no.	L	Part no.	L	Part no.	L	Part no.	L
R068-2PI	4.1	R068-6PI	9.3	R068-10PI	14.3	R068-14PI	19.4
R068-3PI	5.4	R068-7PI	10.5	R068-11PI	15.6	R068-15PI	20.6
R068-4PI	6.7	R068-8PI	11.8	R068-12PI	16.8	R068-16PI	21.9
R068-5PI	7.9	R068-9PI	13	R068-13PI	18.1		

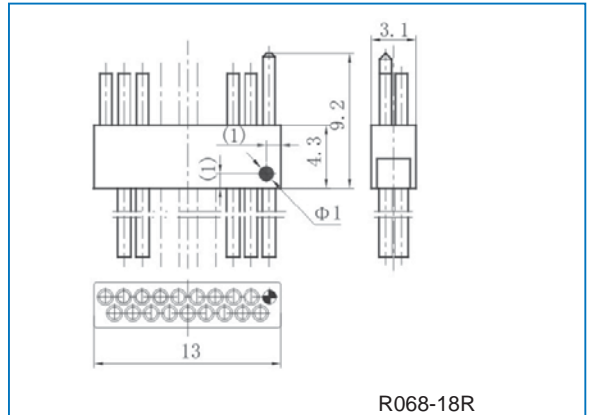
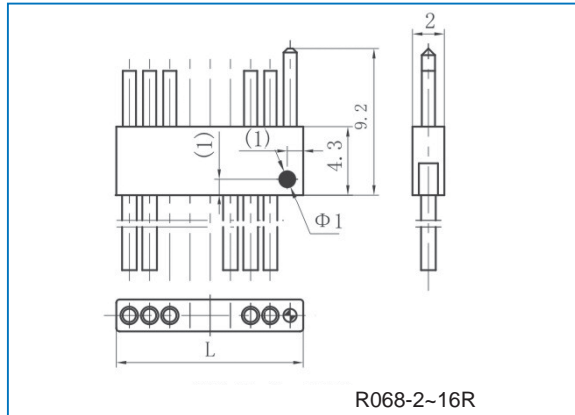
Note: Dimensions are shown in mm.

■ Receptacle

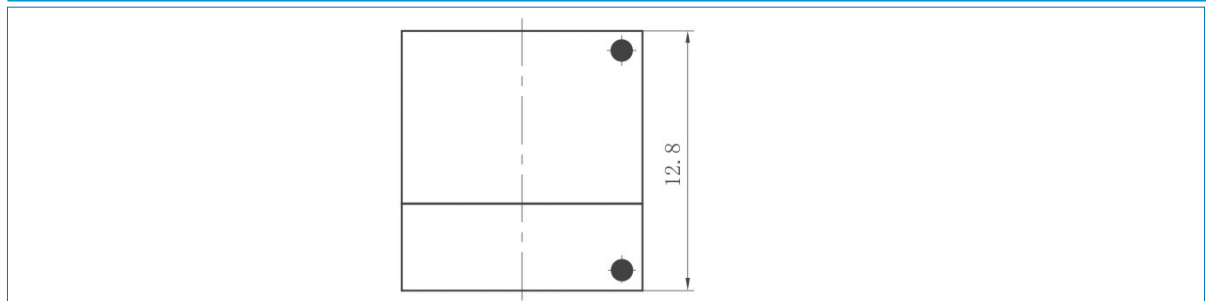
Product solid picture



Appearance dimension



Appearance dimension after mating



Part no.	L	Part no.	L	Part no.	L	Part no.	L
R068-2RH	4.1	R068-6RH	9.3	R068-10RH	14.3	R068-14RH	19.4
R068-3RH	5.4	R068-7RH	10.5	R068-11RH	15.6	R068-15RH	20.6
R068-4RH	6.7	R068-8RH	11.8	R068-12RH	16.8	R068-16RH	21.9
R068-5RH	7.9	R068-9RH	13	R068-13RH	18.1		

Note: Dimensions are shown in mm.