



Company Profile:

Sunkye International Co., Limited.(Connector) Business Group, with sixty five years of experience, specializes in designing and producing connectors, related components and cables. A wide range of connector products, twist pin connector, optical fiber connector, RF coaxial connector, separable connector, custom and application-

Company Profile

specific connector, etc, which are widely used in military area: aerospace, aviation, electrical, ship-building, defense system, etc and civil area: communication, telecom, automotive, rail, etc.

Design team focuses on meeting customers' requirement with continuous innovative technology, manufacture team provides high quality products by utilizing advanced equipments in standardized processes to ensure customers' benefits.

Sunkye is ISO 9001 certified, UL, VDE, CE certification passed, and ensures products quality by testing in realistic conditions with advanced test facilities, professional test employees.

Sunkye team is committed to offering high quality products, best service, prompt delivery and competitive price for you.



Manufacture Equipment:

Five-Axis CNC, AGIE EDM, SODICK WEDM-LS, 40G Vector Network Analyzers, Vacuum Heat Treatment Equipment, Glass-sintered System, Laser Processing Center, High Velocity Ram Machine, Gold, Nickel and Cadmium Plating Production Line, Thermosetting Injection Machine, Thermoplastic Injection Machine, Swiss Automatic Lathe, etc.

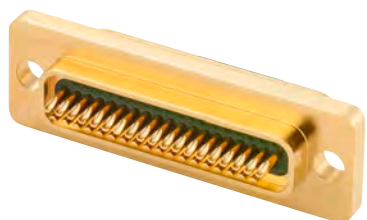
Test Facilities:

Comprehensive Test Instrument of Temperature, Humidity and Vibration; Experimental Box of Temperature and Shock; layer thickness meter; Coordinate Measurement Machine, etc.





R04J Series Solder Cup Type - Glass-Sintered Sealing Connectors



- **Shell:** Kovar Alloy Shell, Gold Plating
- **The Spacing of Arrangements of The Tail:** 1.27x1.1mm
- **Termination Type:** Solder Cup
- **The Flange with A Rubber Cushion, Thickness:** 1mm
- **Glass-Sintered Sealing Connectors (Receptacle Only)**
- **The Air Leakage Rate:** $1 \times 10^{-3} \text{Pa} \cdot \text{CM}^3/\text{s}$
- **Insulation Resistance:** $\geq 5000 \text{M}\Omega$
- **Contact Resistance:** $\leq 30 \text{m}\Omega$
- **Dielectric Strength:** 600Vr.m.s
- **Contacts:** R04JS1-9, 15, 21, 25, 31, 37, 51RHJ
- **Other Performance is The Same as R04J Standard Type**

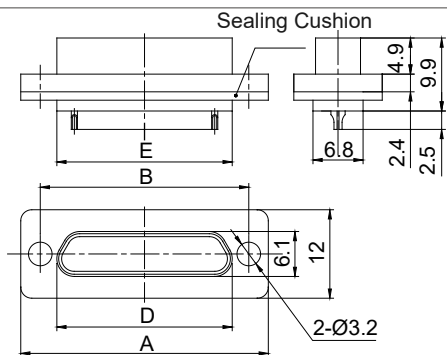
How To Order

Sample Part Number	R04JS1	-25	RH	J	Q29	K	-A3
Series:	R04JS1—Glass-Sintered Sealing(Receptacle Only)						
Contact Number:	9, 15, 21, 25, 31, 37, 51pins						
Contact Type :	RH—Socket in Receptacle						
Tail Termination Type:	J—Solder Cup						
Locking Hardware Type:	Q29, Q36, Q37,Q43		No Code—No Locking Hardware				
Shell Material and Finish :	K—Kovar Alloy Shell, Gold Plating						
Cable Clamp Type:	A3—Cable Clamp		No Code—No Cable Clamp				

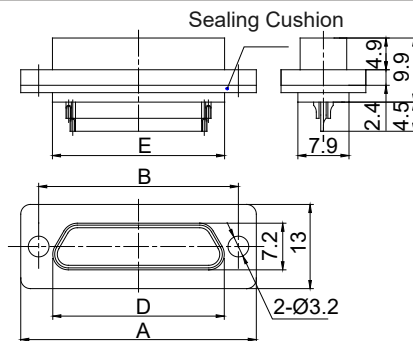
Remark: This product is front panel mounting, we suggest using non-through threaded mounting hole.

Matching with locking hardware Q29, Q36, Q37,Q43. other mounting types need to be customized.

Outline Dimensions



R04JS1-9~37RHJ

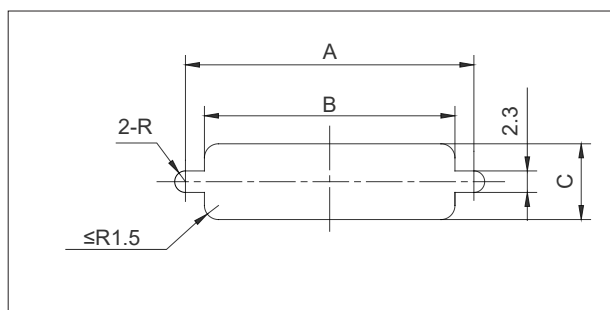


R04JS1-51RHJ

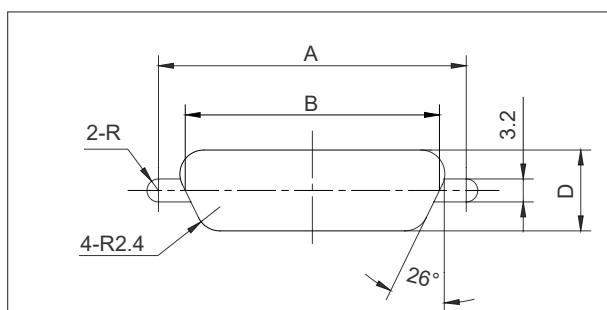
Part Number	A	B	D	E
R04JS1-9RHJ	19.6	14.3	9.8	9.7
R04JS1-15RHJ	23.5	18.2	13.7	13.6
R04JS1-21RHJ	27.4	22	17.4	17.4
R04JS1-25RHJ	29.8	24.5	20	20
R04JS1-31RHJ	33.6	28.3	23.8	23.8
R04JS1-37RHJ	37.4	32.2	27.7	27.6
R04JS1-51RHJ	36.4	30.86	26.5	26.4

Solder Cup Types (R04JS and R04JS1) - Mounting Hole Dimensions

■ Suitable For Products: R04JS-*RHJ and R04JS1-*RHJ



Mounting Hole Dimensions For Front Panel Mounting



Mounting Hole Dimensions For Rear Panel Mounting

Contact Nos	A	B	C	D	Contact Nos	A	B	C	D
9 pins	14.3	10.2	7	6.3	37 pins	32.2	28.1	7	6.3
15 pins	18.2	14.1	7	6.3	51 pins	30.86	26.9	8.1	7.4
21 pins	22	17.9	7	6.3	66 pins	37.3	33.4	8.1	7.4
25 pins	24.5	20.5	7	6.3	74 pins	33.5	29.4	9.3	8.6
31 pins	28.3	24.3	7	6.3	100 pins	45.7	37	9.3	8.6

Remark: 1. R04JS and R04JS1 are both sealing products, we suggest using non-through threaded mounting hole for front panel mounting.

2. All dimensions are in mm.

