



Company Profile:

Sunkye International Co., Limited.(Connector) Business Group, with sixty five years of experience, specializes in designing and producing connectors, related components and cables. A wide range of connector products, twist pin connector, optical fiber connector, RF coaxial connector, separable connector, custom and application-

Company profile

specific connector, etc, which are widely used in military area: aerospace, aviation, electrical, ship-building, defense system, etc and civil area: communication, telecom, automotive, rail, etc.

Design team focuses on meeting customers' requirement with continuous innovative technology, manufacture team provides high quality products by utilizing advanced equipments in standardized processes to ensure customers' benefits.

Sunkye is ISO 9001 certified, UL, VDE, CE certification passed, and ensures products quality by testing in realistic conditions with advanced test facilities, professional test employees.

Sunkye team is committed to offering high quality products, best service, prompt delivery and competitive price for you.



Manufacture Equipment:

Five-Axis CNC, AGIE EDM, SODICK WEDM-LS, 40G Vector Network Analyzers, Vacuum Heat Treatment Equipment, Glass-sintered System, Laser Processing Center, High Velocity Ram Machine, Gold, Nickel and Cadmium Plating Production Line, Thermosetting Injection Machine, Thermoplastic Injection Machine, Swiss Automatic Lathe, etc.

Test Facilities:

Comprehensive Test Instrument of Temperature, Humidity and Vibration; Experimental Box of Temperature and Shock; layer thickness meter; Coordinate Measurement Machine, etc.



MIL-DTL-83513 Micro-D Connectors

SUNHYE



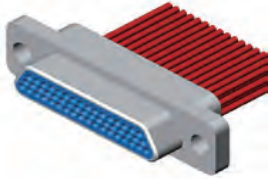
CONTENT



MIL-DTL-83513 Micro-D Connectors
R04J Series Crimping Connectors

MIL-DTL-83513 Micro-D Connectors

R04J Series Crimping Connectors



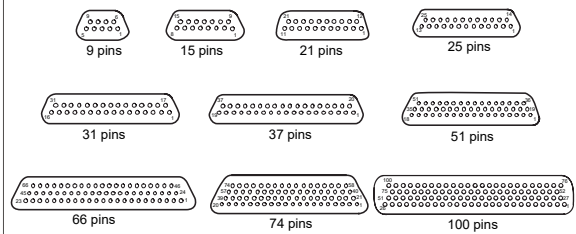
Brief Introduction

- Micro-D Connectors
- Twist Pin Contacts, High Density
- Metal Shell, Nickel or Cadmium Plating
- Crimping Connectors
- The Sectional Area of Cable: 0.1mm~0.15mm, 0.07mm
- Meets MIL-DTL-83513

Specifications

- Environment Temperature: -55°C~+125°C
- Vibration: 10Hz~2000Hz, 196m/s²
- Random Vibration: Power spectrum density 0.4G²/Hz
root mean square value of total acceleration 23.1G
- Shock: 735m/s² 11sm
- Rated Current: 3A
- Contact Resistance: ≤10mΩ
- Insulation Resistance: ≥5000MΩ
- Dielectric Strength: 800V
- Durability: 500 times

Contact Arrangements



How To Order

Sample Part Number **R04J** **-25** **PI** **W7** **G** **A1** **C** **-26** **9** **10**

Series:

R04J—Standard Type
R04JA—Fast Lock Type
R04JC—Sn-P Bronze Shell, Nickel Plating
R04JD—Assembly Hole is Threaded Hole:M2-6H
R04JS—Glue Sealing

Contact Number:

9, 15, 21, 25, 31, 37, 51, 66, 74, 100pins

Contact Type:

PI—Pin in Plug RH—Socket in Receptacle

Locking Hardware Type:

W7—Locking Hardware (See page 2) No Code—No Locking Hardware

Shell Material and Finish:

G—Aluminum Shell, Cadmium Plating No Code—Aluminum Shell, Nickel Plating

Cable Clamp Type:

A1—Cable Clamp (See page 3) No Code—No Cable Clamp

Extended Series :

No Code—R04J Crimping Connectors Basic Type (9.6)—The Width of Flange is 9.6mm
C—Cable Outlet Direction is Vertical to Contacts (11.6)—The Width of Flange is 11.6mm
D—With Anti-Rotation Slot on The Flange Q—Widened Flange
Q8—The Sizes of Flange and Assembly Hole are Enlarged

Wire Gage:

26—AWG26

Wire Color:

9—White T—Ten Color Repeating

Wire Length:

10—Wire Length in cm. "10" Specifies 10cm



Free End Locking Hardware For R04J Series Crimping Connectors



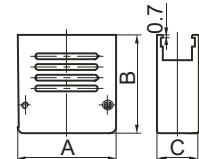


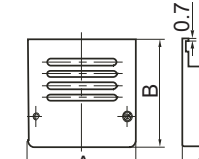


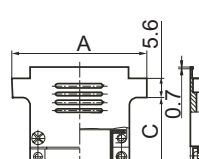
Type	A	B	Outline Dimensions	Assembly Picture	Matched with Locking Hardware
W	M2-6h	7.1			Q, Q0, Q2, Q3, Q4, Q5, Q7, Q8, Q9, Q10, Q11, Q14, Q15, Q17, Q23, Q25, Q29, Q32, Q35, Q36, Q37, Q41, Q42, Q43, Q45, Q46
W8	#2-56UNC-2A	7.1			Q1
W7	M2-6h	7.1			Q, Q0, Q2, Q3, Q4, Q5, Q7, Q8, Q9, Q10, Q11, Q14, Q15, Q17, Q23, Q25, Q29, Q32, Q35, Q36, Q37, Q41, Q42, Q43, Q45, Q46
W9					Q, Q0, Q2, Q3, Q4, Q5, Q7, Q8, Q9, Q10, Q11, Q14, Q15, Q17, Q23, Q25, Q29, Q32, Q35, Q36, Q37, Q41, Q42, Q43, Q45, Q46 Note: W9 is just suitable for R04JD series product.
N	M2-6h				Q, Q0, Q2, Q3, Q4, Q5, Q7, Q8, Q9, Q10, Q11, Q14, Q15, Q17, Q23, Q25, Q29, Q32, Q35, Q36, Q37, Q41, Q42, Q43, Q45, Q46
N1	#2-56UNC-2A				Q1

Fixed End Locking Hardware For R04J Series Crimping Connectors

Type	A	B	C	Outline Dimensions	Assembly Picture	Matched with Locking Hardware	
Q	M2-6h	M2-6h	12.6			W, W7, W9, N	
Q1	#2-56UNC-2B	#2-56UNC-2A	12.6			W8, N1	Note: Use with front panel mounting crimping connectors
Q8	M2-6h	M2-6h	15.6			W, W7, W9, N	
Q9	M2-6h	M2-6h	21.6			W, W7, N	
Q0	4.1	0.6	12.6			W, W7, W9, N	
Q3	3.3	1.4	12.6			Note: Use with rear panel mounting crimping connectors	
Q4	2.5	2.2	12.6				
Q11	1.3	3.4	12.6				
Q45	2.7	2	20				
Q29	M3-6h	10.5	3.3min			W, W7, W9, N	
Q36	M3-6h	14.7	6min			Note: 1. Use with front panel mounting crimping connectors 2. For R04JS series	
Q37	M2-6h	10	2.8min				
Q43	M3-6h	11.7	4min				
Q44						<p>Note:</p> <ol style="list-style-type: none"> No need to lock with free end locking hardware Front panel mounting, "A" dimension is 2.5~3.5mm Rear panel mounting, <ol style="list-style-type: none"> Mated with connectors without locking hardware, "A" dimension is 3.5mm max Mated with connectors with fixed end locking hardware, "A" dimension is 4.9mm minus 1.3mm (The distance between bolt and flange of connector) 	

Remark: 1. Fixed end locking hardware apply to fix the connectors on the mounting panels or the PCB. Most fixed end locking hardware can be mated with free end locking hardware, but a little can not. (eg. Q44)
2. All dimensions are in mm.

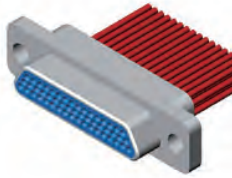
R04J Series Cable Clamp

Type	Stereogram		Outline Dimensions	Using Conditions							
A1	 Only A2 Cable Clamp	 Plug With A1 Cable Clamp		1. For R04J Crimp Basic Type 2. For Free End Locking Hardware							
A2	 Only A2 Cable Clamp	 Plug With A2 Cable Clamp		For R04J-9~51PI/RH-Q8							
A3	 Only A3 Cable Clamp	 Plug With A3 Cable Clamp		1. For R04J Crimp Basic Type 2. For R04J Solder Cup Basic Type							
Pin Count	A1			A2			A3				
	A	B	C	A	B	C	A	B	C	D	E
9	9.9	23.6	10.4	11.7	22	13.4	19.6	9.9	18.2	10.4	27
15	13.8	23.8	10.4	15.6	22	13.4	23.5	13.8	18.2	10.4	27
21	17.6	23.6	10.4	19.4	22	13.4	27.4	17.6	19.2	10.4	28
25	20.2	23.6	10.4	22	22	13.4	29.8	20.2	19.2	10.4	28
31	24	23.6	10.4	25.8	22	13.4	33.6	24	19.2	10.4	28
37	27.8	23.6	10.4	29.6	22	13.4	37.4	27.8	19.2	10.4	28
51	26.6	26.6	11.2	28.4	22	14.6	36.4	26.6	21.2	11.2	30
66	33	26.6	11.2	---	---	---	42.9	29.1	21.2	11.2	30
74	29.1	30	12	---	---	---	38.8	29.1	21.2	12	30
100	40.7	30	12	---	---	---	54.7	40.7	21.2	12	30

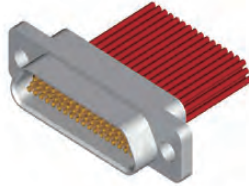
Remark: All dimensions are in mm.

R04J Series Crimping Connectors - Basic Type

- **Contacts:** R04J- 9, 15, 21, 25, 31, 37, 51, 66, 74, 100 PI /RH(G)
- **Shell Plating:** Nickel or Cadmium



Plug:PI



Receptacle:RH

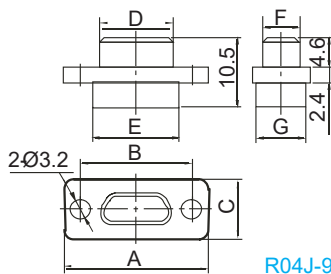


Plug:PIG

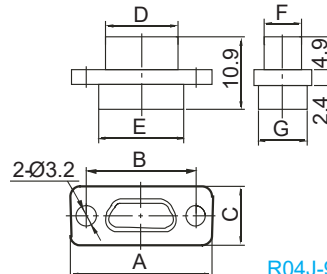


Receptacle:RHG

Outline Dimensions



R04J-9~100PI

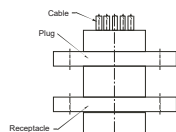


R04J-9~100RH

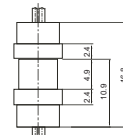
Part Number	A	B	C	D	E	F	G
R04J-9PI/PIG	19.6	14.3	7.6	8.3	9.9	4.7	6.8
R04J-15PI/PIG	23.5	18.2	7.6	12.3	13.8	4.7	6.8
R04J-21PI/PIG	27.4	22	7.6	16	17.6	4.7	6.8
R04J-25PI/PIG	29.8	24.5	7.6	18.6	20.2	4.7	6.8
R04J-31PI/PIG	33.6	28.3	7.6	22.4	24	4.7	6.8
R04J-37PI/PIG	37.4	32.2	7.6	26.3	27.8	4.7	6.8
R04J-51PI/PIG	36.4	30.86	8.7	25	26.6	5.8	7.9
R04J-66PI/PIG	42.9	37.3	8.7	31.4	33	5.8	7.9
R04J-74PI/PIG	38.8	33.5	9.7	27.5	29.1	6.8	9.1
R04J-100PI/PIG	54.7	45.7	9.7	35	36.6	6.8	9.1
R04J-9RH/RHG	19.6	14.3	7.6	9.8	9.9	6.1	6.8
R04J-15RH/RHG	23.5	18.2	7.6	13.7	13.8	6.1	6.8
R04J-21RH/RHG	27.4	22	7.6	17.4	17.6	6.1	6.8
R04J-25RH/RHG	29.8	24.5	7.6	20	20.2	6.1	6.8
R04J-31RH/RHG	33.6	28.3	7.6	23.8	24	6.1	6.8
R04J-37RH/RHG	37.4	32.2	7.6	27.7	27.8	6.1	6.8
R04J-51RH/RHG	36.4	30.86	8.7	26.5	26.6	7.2	7.9
R04J-66RH/RHG	42.9	37.3	8.7	32.9	33	7.2	7.9
R04J-74RH/RHG	38.8	33.5	9.7	29	29.1	8.3	9.1
R04J-100RH/RHG	54.7	45.7	9.7	36.6	36.65	8.2	9.1

Remark: All dimensions are in mm.

Outline Dimensions After Mating (Without Cable Clamp)



The Main View



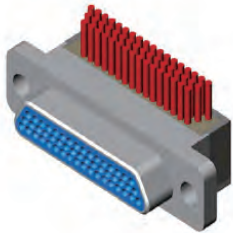
The Left View

R04JC Series Crimping Connectors - Basic Type

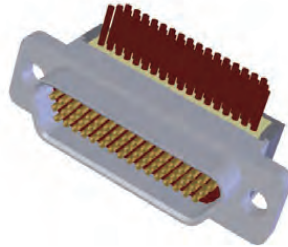
- Sn-P Bronze Shell, Nickel Plating
- **Contacts:** R04JC- 9, 15, 21, 25, 31, 37, 51, 66, 74, 100PI/RH
- **Outline Dimensions:** Same as R04J Crimping Connectors Basic Type (See above datasheet)

R04J Series Crimping Connectors - Extended Type C

- The Outlet Direction of Cable is Vertical to The Contacts, Crimp Termination
- **Contacts:** R04J- 9, 15, 21, 25, 31, 37, 51, 66, 74, 100 PI/RH-C

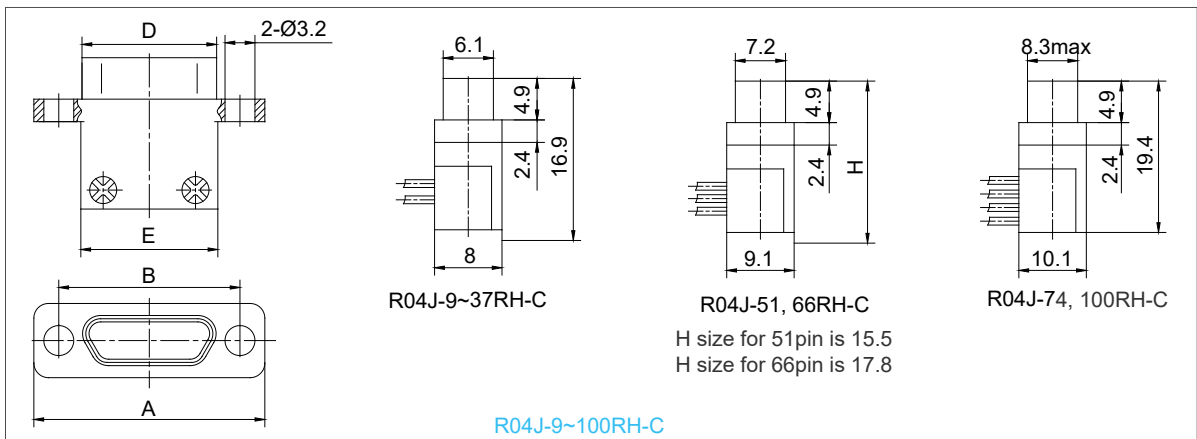
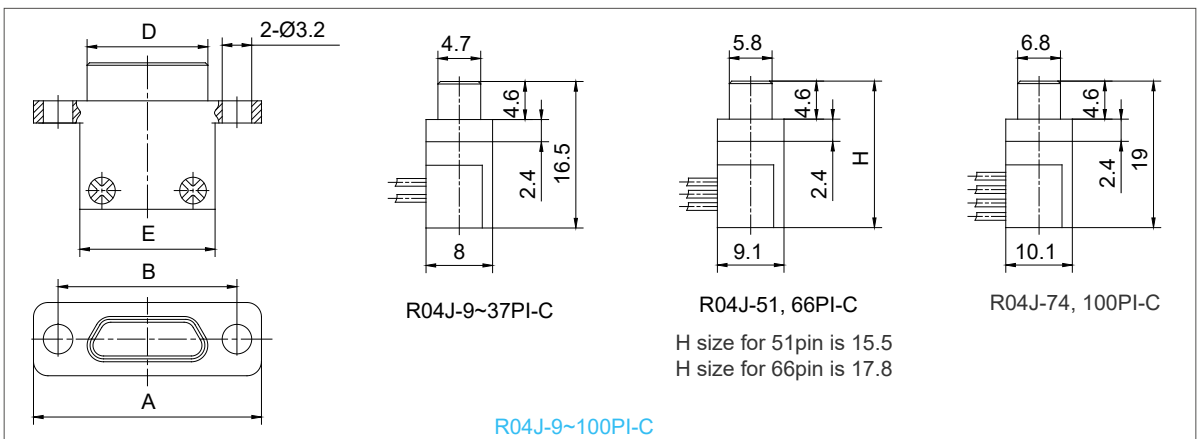


Plug:PI-C



Receptacle:RH-C

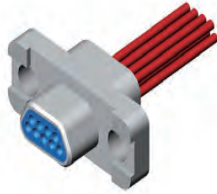
Outline Dimensions



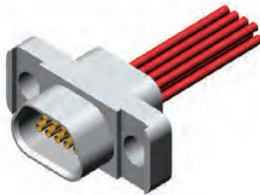
Part Number	A	B	D		E
			PI-C	RH-C	
R04J-9PI/RH-C	19.6	14.3	8.3	9.8	9.9
R04J-15PI/RH-C	23.5	18.2	12.3	13.7	13.8
R04J-21PI/RH-C	27.4	22	16	17.4	17.6
R04J-25PI/RH-C	29.8	24.5	18.6	20	20.2
R04J-31PI/RH-C	38.6	28.3	22.4	23.8	24
R04J-37PI/RH-C	37.4	32.2	26.3	27.7	27.8
R04J-51PI/RH-C	36.4	30.86	25	26.5	26.6
RD4J-66PI/RH-C	42.9	37.3	31.4	32.9	33
RD4J-74PI/RH-C	38.8	33.5	27.5	29	29.1
R04J-100PI/RH-C	54.7	45.7	35	36.6	36.6

Remark: 1.All dimensions are in mm.
2.The outlet direction of cable for R04J-9~100PI-C is opposite to R04J-9~100RH-C.

R04J Series Crimping Connectors - Extended Type D



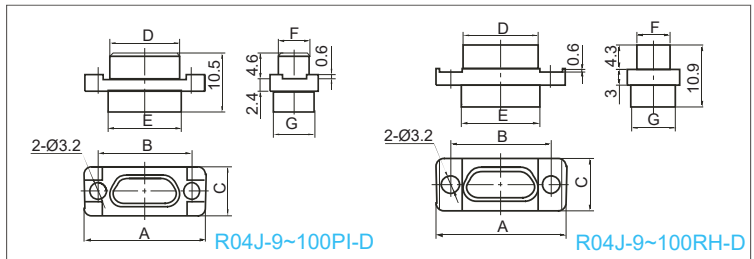
Plug:PI-D



Receptacle:RH-D

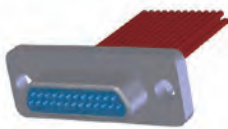
- With Anti-Rotation Slots on The Flange
- **Contacts:**
R04J- 9, 15, 21, 25, 31, 37, 51, 66, 74, 100 PI/RH-D

Outline Dimensions

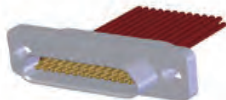


Part Number	A	B	C	D		E	F		G
				PI-D	RH-D		PI-D	RH-D	
R04J-9PI/RH-D	19.6	14.3	7.6	8.3	9.8	9.9	4.7	6.1	6.8
R04J-15PI/RH-D	23.5	18.2	7.6	12.3	13.7	13.8	4.7	6.1	6.8
R04J-21PI/RH-D	27.4	22	7.6	16	17.4	17.6	4.7	6.1	6.8
R04J-25PI/RH-D	29.8	24.5	7.6	18.6	20	20.2	4.7	6.1	6.8
R04J-31PI/RH-D	33.6	28.3	7.6	22.4	23.8	24	4.7	6.1	6.8
R04J-37PI/RH-D	37.4	32.2	7.6	26.3	27.7	27.8	4.7	6.1	6.8
R04J-51PI/RH-D	36.4	30.86	8.7	25	26.5	26.6	5.8	7.2	7.9
R04J-66PI/RH-D	42.9	37.3	8.7	31.4	32.9	33	5.8	7.2	7.9
R04J-74PI/RH-D	38.8	33.5	9.7	27.5	29	29.1	6.8	8.3	9.1
R04J-100PI/RH-D	54.7	45.7	9.7	35	36.6	36.6 / 36.65	6.8	8.2	9.1

R04J Series Crimping Connectors - Extended Type(9.6)



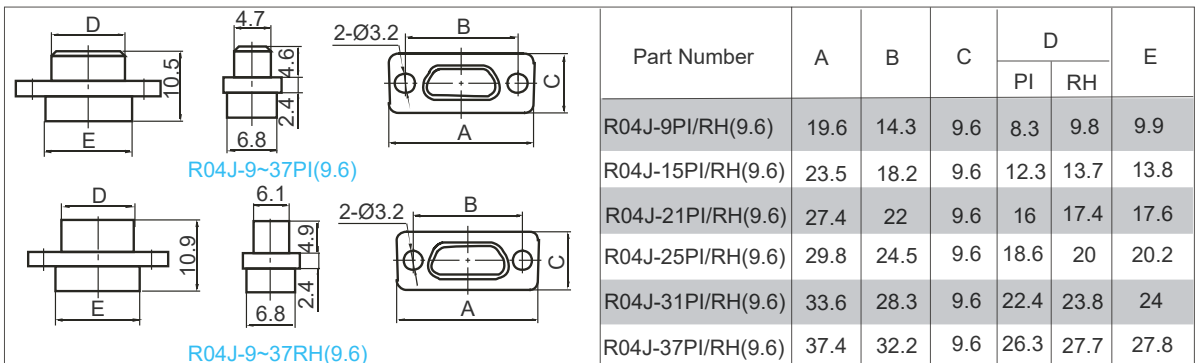
Plug:PI(9.6)



Receptacle:RH(9.6)

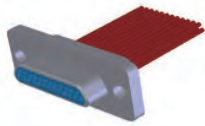
- The Width of Flange is 9.6mm.
- **Contacts:**
R04J- 9, 15, 21, 25, 31, 37PI/RH(9.6)

Outline Dimensions

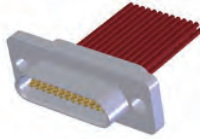


Remark: All dimensions are in mm.

R04J Series Crimping Connectors - Extended Type(11.6)



Plug:PI(11.6)



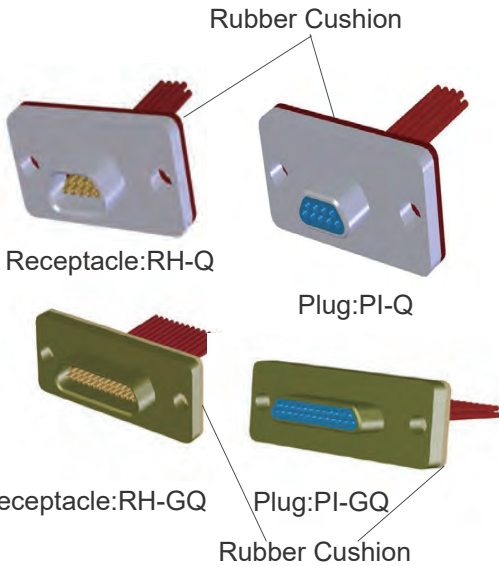
Receptacle:RH(11.6)

- The Width of Flange is 11.6mm.
- **Contacts:**
R04J- 9, 15, 21, 25, 31, 37PI/RH(11.6)

Outline Dimensions

Part Number	A	B	C	D		E
				PI	RH	
R04J-9PI/RH(11.6)	19.6	14.3	11.6	8.3	9.8	9.9
R04J-15PI/RH(11.6)	23.5	18.2	11.6	12.3	13.7	13.8
R04J-21PI/RH(11.6)	27.4	22	11.6	16	17.4	17.6
R04J-25PI/RH(11.6)	29.8	24.5	11.6	18.6	20	20.2
R04J-31PI/RH(11.6)	33.6	28.3	11.6	22.4	23.8	24
R04J-37PI/RH(11.6)	37.4	32.2	11.6	26.3	27.7	27.8

R04J Series Crimping Connectors - Extended Type Q



- The Flange is Widened
- With A Rubber Cushion, Thickness:1mm
- **Shell Plating:** Nickel or Cadmium
- **Contacts:**
R04J- 9, 15, 21, 25, 31, 37, 51, 66, 74, 100PI/RH-Q/GQ

Outline Dimensions

Part Number	A	B	C	D		E	F		G
				PI	RH		PI	RH	
R04J-9~100PI-Q	26	21	14	8.3	9.8	9.9	4.7	6.1	6.8
R04J-9~100RH-Q	29.9	24.9	14	12.3	13.7	13.8	4.7	6.1	6.8

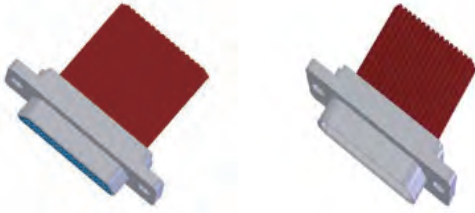
Part Number	A	B	C	D		E	F		G
				PI	RH		PI	RH	
R04J-9PI/RH-Q	26	21	14	8.3	9.8	9.9	4.7	6.1	6.8
R04J-15PI/RH-Q	29.9	24.9	14	12.3	13.7	13.8	4.7	6.1	6.8
R04J-21PI/RH-Q	33.8	28.7	14	16	17.4	17.6	4.7	6.1	6.8
R04J-25PI/RH-Q	36.2	31.2	14	18.6	20	20.2	4.7	6.1	6.8
R04J-31PI/RH-Q	40	35	14	22.4	23.8	24	4.7	6.1	6.8
R04J-37PI/RH-Q	43.8	38.9	14	26.3	27.7	27.8	4.7	6.1	8.8
R04J-51PI/RH-Q	42.6	37.6	15.2	25	26.5	26.6	5.8	7.2	7.9
R04J-66PI/RH-Q	49.3	44	15.2	31.4	32.9	33	5.8	7.2	7.9
R04J-77PI/RH-Q	45.2	40.2	16.1	27.5	29	29.1	6.8	8.3	9.1
R04J-100PI/RH-Q	61.1	52.4	16.1	35	36.6	36.6 / 36.65	6.8	8.2	9.1

Remark: All dimensions are in mm.

R04JC Series Crimping Connectors - Extended Type Q

- Sn-P Bronze Outer Shell, Nickel Plating
- The Flange is Widened
- Same as R04J-9~100RH-Q, Please See The Datasheet on Page 7
- Contacts: R04JC-9, 15, 21, 31, 37, 51, 66, 74, 100RH-Q
- With A Rubber Cushion, Thickness:1mm

R04J Series Crimping Connectors - Extended Type Q8

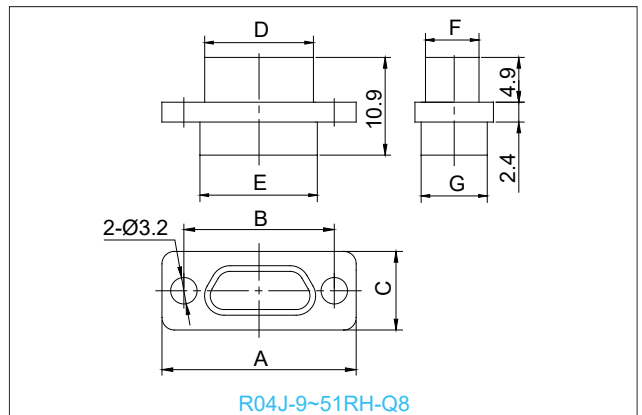
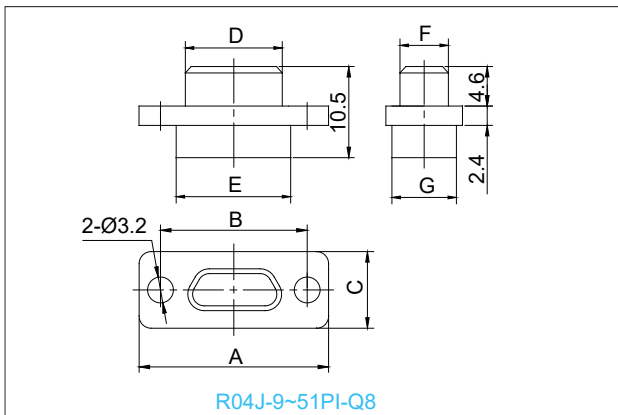


Plug:PI-Q8

Receptacle:RH-Q8

- The Sizes of Flange and Assembly Hole are Enlarged
- **Contacts:**
R04J- 9, 15, 21, 25, 31, 37, 51, 66, 74, 100PI/RH-Q8

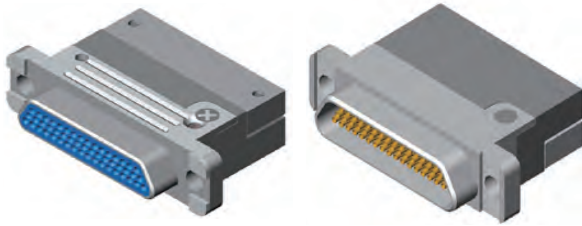
Outline Dimensions



Part Number	A	B	C	D		E	F		G
				PI-Q8	RH-Q8		PI-Q8	RH-Q8	
R04J-9PI/RH-Q8	21.4	16.1	11.6	8.3	9.8	11.7	4.7	6.1	6.8
R04J-15PI/RH-Q8	25.3	20	11.6	12.3	13.7	15.6	4.7	6.1	6.8
R04J-21PI/RH-Q8	29.2	23.8	11.6	16	17.4	19.4	4.7	6.1	6.8
R04J-25PI/RH-Q8	31.6	26.3	11.6	18.6	20	22	4.7	6.1	6.8
R04J-31PI/RH-Q8	35.4	30.1	11.6	22.4	23.8	25.8	4.7	6.1	6.8
R04J-37PI/RH-Q8	39.2	34	11.6	26.3	27.7	29.6	4.7	6.1	6.8
R04J-51PI/RH-Q8	38.2	32.6	12.6	25	26.5	28.4	5.8	7.2	7.9
R04J-66PI/RH-Q8									
R04J-74PI/RH-Q8									
R04J-100PI/RH-Q8									

Remark: All dimensions are in mm.

R04J Series Crimping Connectors - Extended Type A1D

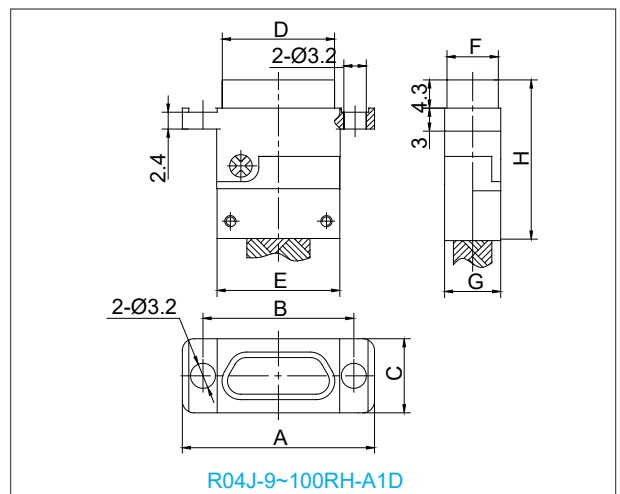
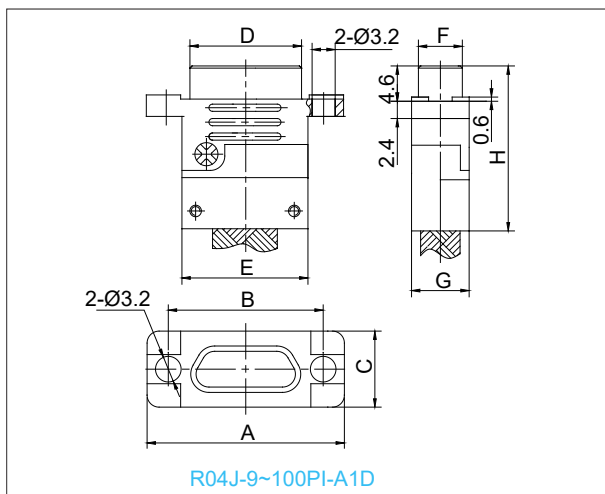


Plug:PI-A1D

Receptacle:RH-A1D

- With Anti-Rotation Slots on The Flange
- With Shielded Cable Clamp on The Tail of Outer Shell
- **Contacts:**
R04J- 9, 15, 21, 25, 31, 37, 51, 66, 74, 100PI/RH-A1D

Outline Dimensions



Part Number	A	B	D		E	F		G	H	
			PI-A1D	RH-A1D		PI-A1D	RH-A1D		PI-A1D	RH-A1D
R04J-9PI/RH-A1D	19.6	14.3	8.3	9.8	9.9	4.7	6.1	8	23	23.5
R04J-15PI/RH-A1D	23.5	18.2	12.3	13.7	13.8	4.7	6.1	8	23	23.5
R04J-21PI/RH-A1D	27.4	22	16	17.4	17.6	4.7	6.1	8	23	23.5
R04J-25PI/RH-A1D	29.8	24.5	18.6	20	20.2	4.7	6.1	8	23	23.5
R04J-31PI/RH-A1D	33.6	28.3	22.4	23.8	24	4.7	6.1	8	23	23.5
R04J-37PI/RH-A1D	37.4	32.2	26.3	27.7	27.8	4.7	6.1	8	23	23.5
R04J-51PI/RH-A1D	36.4	30.86	25	26.5	26.6	5.8	7.2	9	23	23.5
R04J-66PI/RH-A1D	42.9	37.3	31.4	32.9	33	5.8	7.2	9	23	23.5
R04J-74PI/RH-A1D	38.8	33.5	27.5	29	29.1	6.8	8.3	11	25	25.5
R04J-100PI/RH-A1D	54.7	45.7	35	36.6	36.8	6.8	8.2	11	25	25.5

Remark: All dimensions are in mm.

R04J Series Crimping Connectors Basic Type A1/GA1



Plug:PI-A1



Receptacle:RH-A1

■ With Shielded Cable Clamp on The Tail of Outer Shell

■ **Shell Plating:** Nickel

■ **Contacts:**

R04J- 9, 15, 21, 25, 31, 37, 51, 66, 74, 100PI/RH-A1



Plug:PI-GA1



Receptacle:RH-GA1

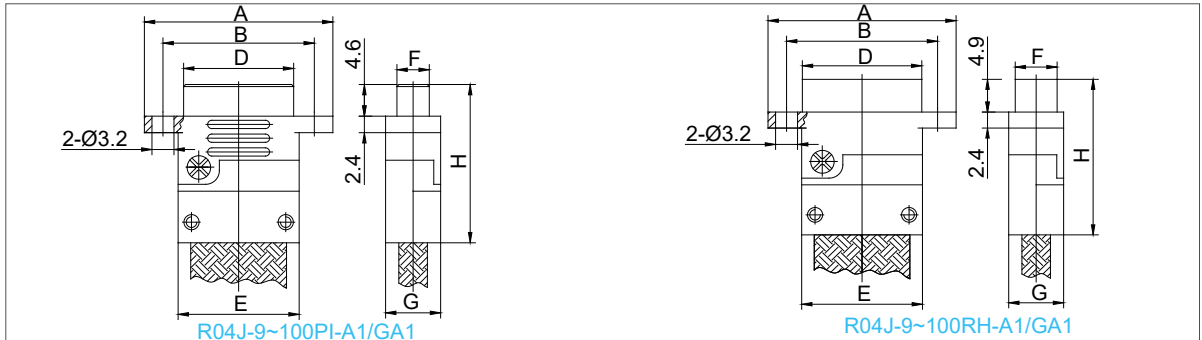
■ With Shielded Cable Clamp on The Tail of Outer Shell

■ **Shell Plating:** Cadmium

■ **Contacts:**

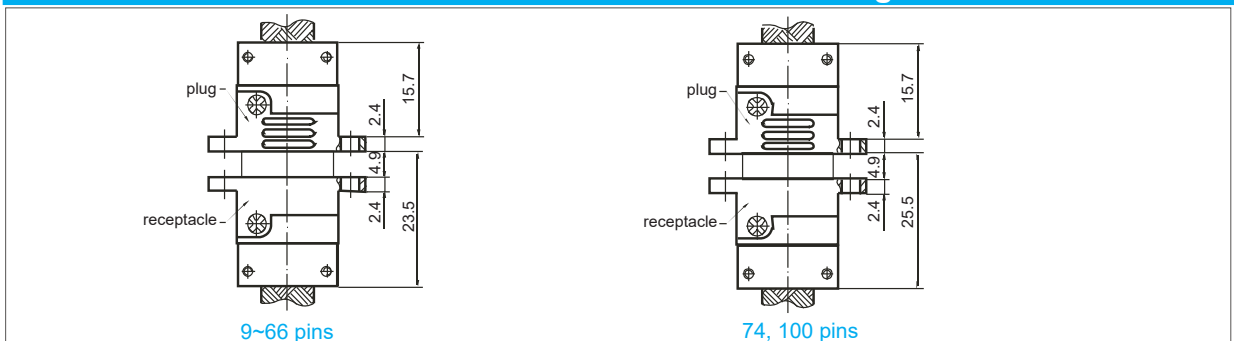
R04J- 9, 15, 21, 25, 31, 37, 51, 66, 74, 100PI/RH-GA1

Outline Dimensions



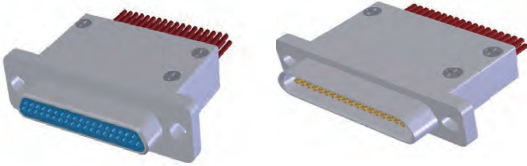
Part Number	A	B	D		E	F		G	H	
			PI	RH		PI	RH		PI	RH
R04J-9PI/RH-A1/GA1	19.6	14.3	8.3	9.8	9.9	4.7	6.1	8	23	23.5
R04J-15PI/RH-A1/GA1	23.5	18.2	12.3	13.7	13.8	4.7	6.1	8	23	23.5
R04J-21PI/RH-A1/GA1	27.4	22	16	17.4	17.6	4.7	6.1	8	23	23.5
R04J-25PI/RH-A1/GA1	29.8	24.5	18.6	20	20.2	4.7	6.1	8	23	23.5
R04J-31PI/RH-A1/GA1	33.6	28.3	22.4	23.8	24	4.7	6.1	8	23	23.5
R04J-37PI/RH-A1/GA1	37.4	32.2	26.3	27.7	27.8	4.7	6.1	8	23	23.5
R04J-51PI/RH-A1/GA1	36.4	30.86	25	26.5	26.6	5.8	7.2	9	23	23.5
R04J-66PI/RH-A1/GA1	42.9	37.3	31.4	32.9	33	5.8	7.2	9	23	23.5
R04J-74PI/RH-A1/GA1	38.8	33.5	27.5	29	29.1	6.8	8.3	11	25	25.5
R04J-100PI/RH-A1/GA1	54.7	45.7	35	36.6	36.8	6.8	8.2	11	25	25.5

Outline Dimensions After Mating



Remark: All dimensions are in mm.

R04J Series Crimping Connectors - Extended Type A1(9.6)

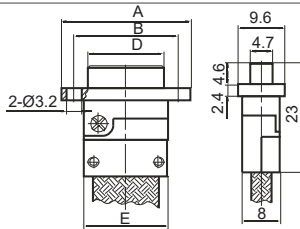


Plug:PI-A1(9.6)

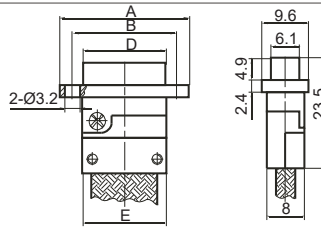
Receptacle:RH-A1(9.6)

- The Width of Flange is 9.6mm
- With Shielded Cable Clamp on The Tail of Outer Shell
- **Contacts:**
R04J- 9, 15, 21, 25, 31, 37PI/RH-A1(9.6)

Outline Dimensions



R04J-9~37PI-A(9.6)



R04J-9~37RH-A(9.6)

Part Number	A	B	D		E
			PI-A1(9.6)	RH-A1(9.6)	
R04J-9PI/RH-A1(9.6)	19.6	14.3	8.3	9.8	9.9
R04J-15PI/RH-A1(9.6)	23.5	18.2	12.3	13.7	13.8
R04J-21PI/RH-A1(9.6)	27.4	22	16	17.4	17.6
R04J-25PI/RH-A1(9.6)	29.8	24.5	18.6	20	20.2
R04J-31PI/RH-A1(9.6)	33.6	28.3	22.4	23.8	24
R04J-37PI/RH-A1(9.6)	37.4	32.2	26.3	27.7	27.8

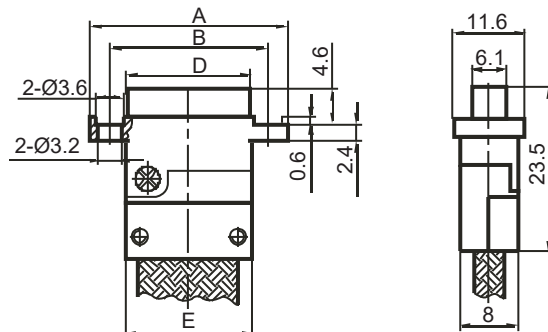
R04J Series Crimping Connectors - Extended Type A1D(11.6)



Receptacle:RH-A1D(11.6)

- The Width of Flange is 11.6mm
- With Shielded Cable Clamp on The Tail of Outer Shell
- With Anti-Rotation Slots on The Flange
- **Contacts:**
R04J- 9, 15, 21, 25, 31, 37PI/RH-A1D(11.6)

Outline Dimensions

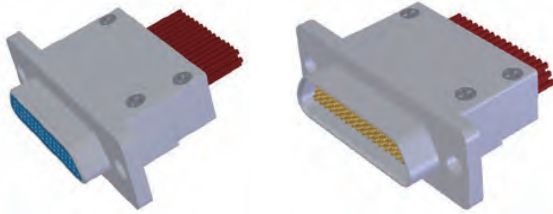


R04J-9~37RH-A1D(11.6)

Part Number	A	B	D		E
			PI-A1D(11.6)	RH-A1D(11.6)	
R04J-9RH-A1D(11.6)	19.6	14.3	9.8	9.9	9.9
R04J-15RH-A1D(11.6)	23.5	18.2	13.7	13.8	13.8
R04J-21RH-A1D(11.6)	27.4	22	17.4	17.6	17.6
R04J-25RH-A1D(11.6)	29.8	24.5	20	20.2	20.2
R04J-31RH-A1D(11.6)	33.6	28.3	23.8	24	24
R04J-37RH-A1D(11.6)	37.4	32.2	27.7	27.8	27.8

Remark: All dimensions are in mm.

R04J Series Crimping Connectors - Extended Type A2Q8

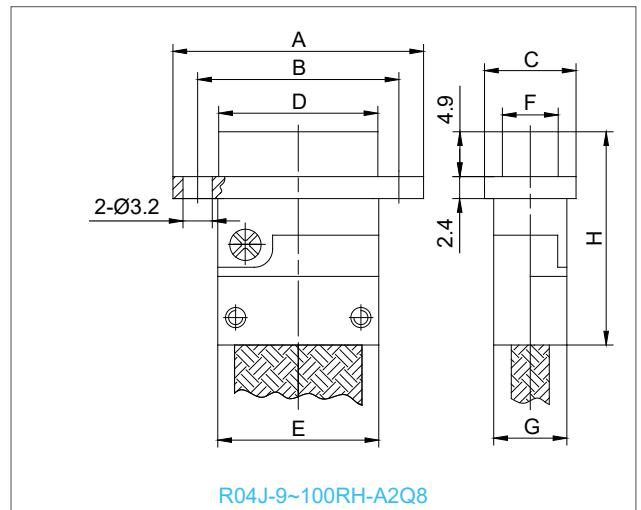
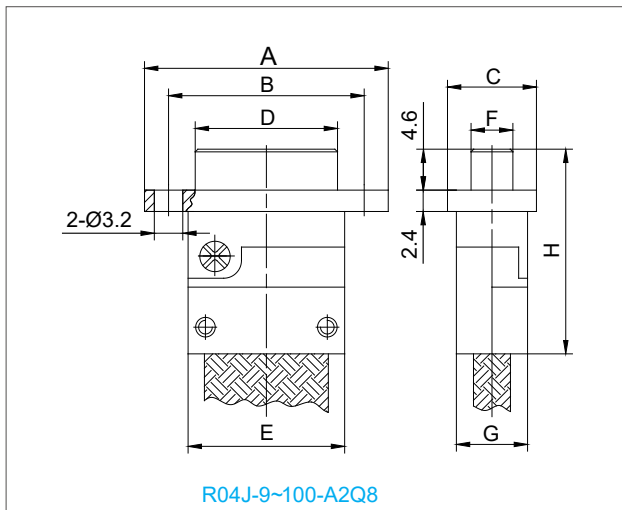


Plug:PI-A2Q8

Receptacle:RH-A2Q8

- The Flange Size And Assembly Hole Size are Enlarged From R04J-9~100PI/RH-A1
- With Shielded Cable Clamp on The Tail of Outer Shell
- **Contacts:**
R04J- 9, 15, 21, 25, 31, 37, 51, 74, 100PI/RH-A2Q8

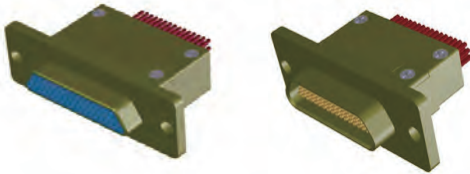
Outline Dimensions



Part Number	A	B	C	D		E	F		G	H	
				PI-A2Q8	RH-A2Q8		PI-A2Q8	RH-A2Q8		PI-A2Q8	RH-A2Q8
R04J-9PI/RH-A2Q8	21.4	16.1	11.6	8.3	9.8	9.9	4.7	6.1	8	23	23.5
R04J-15PI/RH-A2Q8	25.3	20	11.6	12.3	13.7	13.8	4.7	6.1	8	23	23.5
R04J-21PI/RH-A2Q8	29.2	23.8	11.6	16	17.4	17.6	4.7	6.1	8	23	23.5
R04J-25PI/RH-A2Q8	31.6	26.3	11.6	18.6	20	20.2	4.7	6.1	8	23	23.5
R04J-31PI/RH-A2Q8	35.4	30.1	11.6	22.4	23.8	24	4.7	6.1	8	23	23.5
R04J-37PI/RH-A2Q8	39.2	34	11.6	26.3	27.7	27.8	4.7	6.1	8	23	23.5
R04J-51PI/RH-A2Q8	38.2	32.6	12.6	25	26.5	26.6	5.8	7.2	9	23	23.5
R04J-74PI/RH-A2Q8	40.6	37.1	13.8	27.5	29	29.1	6.8	8.3	11	25	25.5
R04J-100PI/RH-A2Q8	56.5	49.3	13.8	35	36.6	36.8	6.8	8.2	11	25	25.5

Remark: All dimensions are in mm.

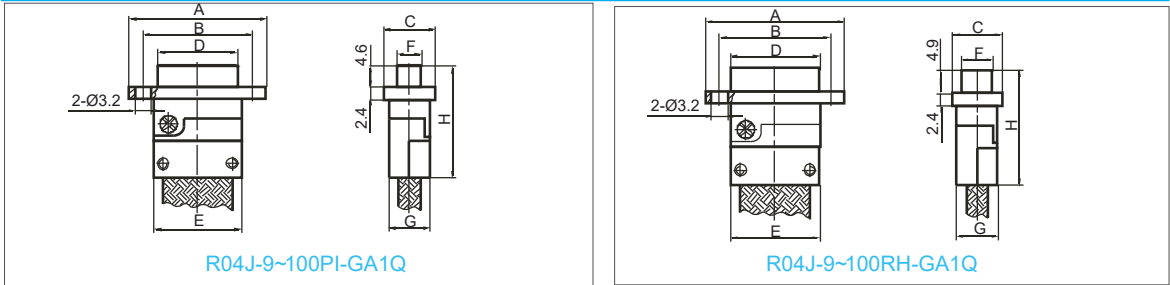
R04J Series Crimping Connectors - Extended Type GA1Q



- **Shell Plating:** Cadmium
- With Shielded Cable Clamp on The Tail of Outer Shell
- The Flange is Widened
- **Contacts:**

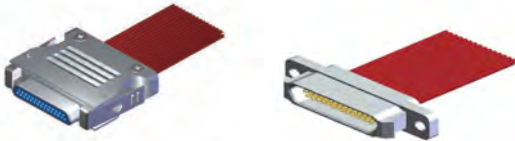
Plug:PI-GA1Q Receptacle:RH-GA1Q R04J- 9, 15, 21, 25, 31, 37, 51,66, 74, 100PI/RH-GA1Q

Outline Dimensions



Part Number	A	B	C	D		E	F		G	H	
				PI	RH		PI	RH		PI	RH
R04J-9PI/RH-GA1Q	26	21	14	8.3	9.8	9.9	4.7	6.1	8	23	23.5
R04J-15PI/RH-GA1Q	29.9	24.9	14	12.3	13.7	13.8	4.7	6.1	8	23	23.5
R04J-21PI/RH-GA1Q	33.8	28.7	14	16	17.4	17.6	4.7	6.1	8	23	23.5
R04J-25PI/RH-GA1Q	36.2	31.2	14	18.6	20	20.2	4.7	6.1	8	23	23.5
R04J-31PI/RH-GA1Q	40	35	14	22.4	23.8	24	4.7	6.1	8	23	23.5
R04J-37PI/RH-GA1Q	43.8	38.9	14	26.3	27.7	27.8	4.7	6.1	8	23	23.5
R04J-51PI/RH-GA1Q	42.6	37.6	15.2	25	26.5	26.6	5.8	7.2	9	23	23.5
R04J-66PI/RH-GA1Q	49.3	44	15.2	31.4	32.9	33	5.8	7.2	9	23	23.5
R04J-74PI/RH-GA1Q	45.2	40.2	16.1	27.5	29	29.1	6.8	8.3	11	25	25.5
R04J-100PI/RH-GA1Q	61.1	52.4	16.1	35	36.6	36.8	6.8	8.2	11	25	25.5

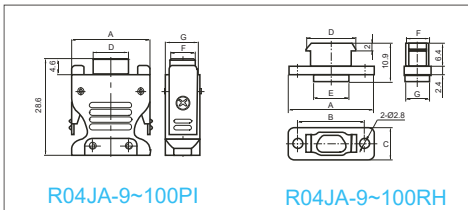
R04J Series Crimping Connectors - Fast Lock Type R04JA



- With Fast Lock Function
- **Termination Type:** Crimp Contact
- **Contacts:**

Plug: R04JA-PI Receptacle: R04JA-RH

Outline Dimensions



Part Number	A	D	F	G	Part Number	A	B	C	D	E	F	G
R04JA-9PI	18.2	8.4	4.7	8.1	R04JA-9RH	23.4	18.6	7.6	14.3	9.8	6.5	6.8
R04JA-15PI	22.1	12.3	4.7	8.1	R04JA-15RH	27.4	22.6	7.6	18.3	13.8	6.5	6.8
R04JA-21PI	25.8	16	4.7	8.1	R04JA-21RH	31.1	26.3	7.6	22	17.5	6.5	6.8
R04JA-25PI	28.4	18.6	4.7	8.1	R04JA-25RH	33.7	28.9	7.6	24.6	20.1	6.5	6.8
R04JA-31PI	32.2	22.4	4.7	8.1	R04JA-31RH	37.5	32.7	7.6	28.4	24.1	6.5	6.8
R04JA-37PI	36	26.3	4.7	8.1	R04JA-37RH	41.4	36.6	7.6	32.3	27.8	6.5	6.8
R04JA-51PI	34.8	25	5.8	10	R04JA-51RH	40.1	35.3	8.7	31	26.5	7.6	7.9
R04JA-66PI					R04JA-66RH							
R04JA-74PI	37.3	27.5	6.8	11	R04JA-74RH	42.6	37.8	9.8	33.5	29	8.7	9
R04JA-100PI	44.8	35	6.8	11	R04JA-100RH	50.1	45.3	9.8	41	36.5	8.7	9

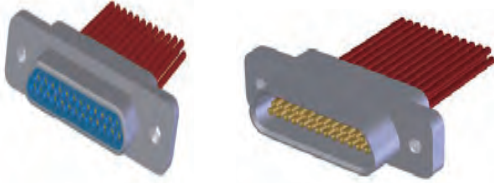
Outline Dimensions After Mating



Part Number	A	B	Part Number	A	B
R04JA-9PI/RH	23.4	8.1	R04JA-37PI/RH	41.4	8.1
R04JA-15PI/RH	27.4	8.1	R04JA-51PI/RH	40.1	10
R04JA-21PI/RH	31.1	8.1	R04JA-74PI/RH	42.6	11
R04JA-25PI/RH	33.7	8.1	R04JA-100PI/RH	50.1	11
R04JA-31PI/RH	37.5	8.1			

Remark: All dimensions are in mm.

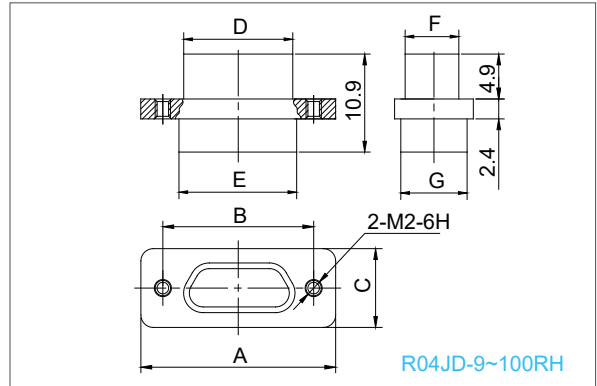
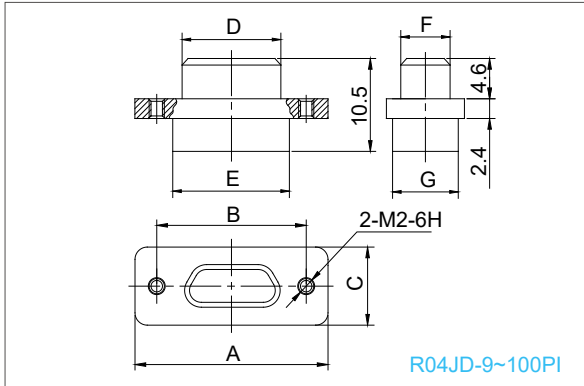
R04J Series Crimping Connectors - Extended Type R04JD



Plug: R04JD-PI Receptacle: R04JD-RH

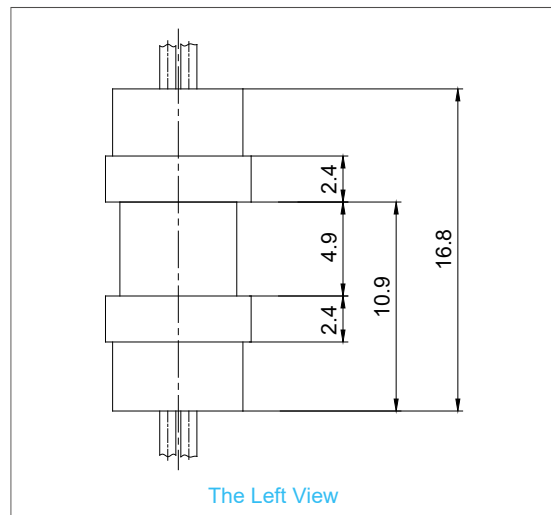
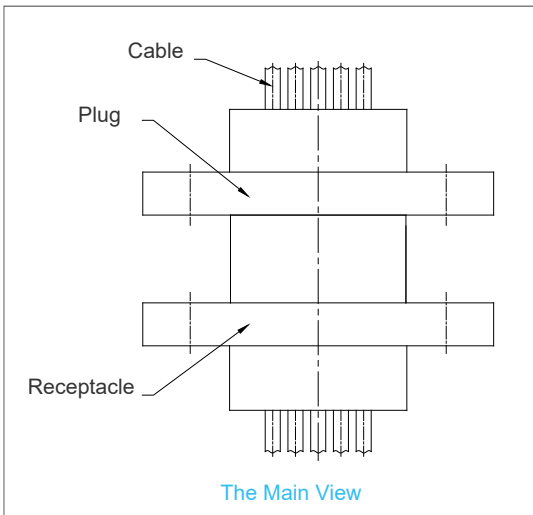
- The Assembly Hole is Threaded Hole: M2-6H
- Termination Type: Crimp Contact
- Contacts:
R04JD-9, 15, 21, 25, 31, 37, 51, 66, 74, 100PI/RH

Outline Dimensions



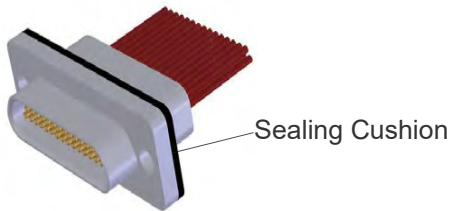
Part Number	A	B	C	D		E	F		G
				PI	RH		PI	RH	
R04JD-9PI/RH	19.6	14.3	7.6	8.3	9.8	9.9	4.7	6.1	6.8
R04JD-15PI/RH	23.5	18.2	7.6	12.3	13.7	13.8	4.7	6.1	6.8
R04JD-21PI/RH	27.4	22	7.6	16	17.4	17.6	4.7	6.1	6.8
R04JD-25PI/RH	29.8	24.5	7.6	18.6	20	20.2	4.7	6.1	6.8
R04JD-31PI/RH	33.6	28.3	7.6	22.4	23.8	24	4.7	6.1	6.8
R04JD-37PI/RH	37.4	32.2	7.6	26.3	27.7	27.8	4.7	6.1	6.8
R04JD-51PI/RH	36.4	30.86	8.7	25	26.5	26.6	5.8	7.2	7.9
R04JD-66PI/RH	42.9	37.3	8.7	31.4	32.9	33	5.8	7.2	7.9
R04JD-74PI/RH	38.8	33.5	9.7	27.5	29	29.1	6.8	8.3	9.1
R04JD-100PI/RH	54.7	45.7	9.7	35	36.6	36.6 / 36.65	6.8	8.2	9.1

Outline Dimensions After Mating



Remark: All dimensions are in mm.

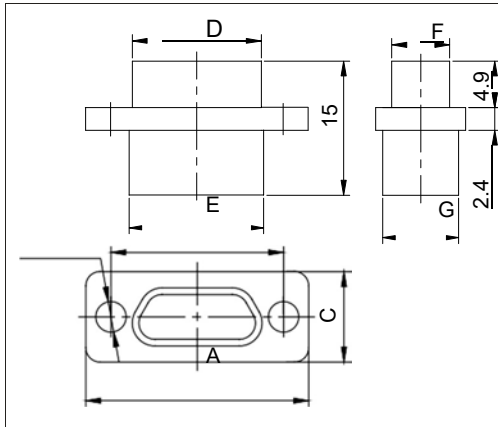
R04J Series Crimping Connectors- Glue Sealing Type R04JS



Receptacle: R04JS-RH

- Glue Sealing
- With A Sealing Cushion, Thickness: 1mm
- **Termination Type:** Crimp Contact
- **The Air Leakage Rate:** $5 \times 10^{-2} \text{Pa} \cdot \text{CM/s}^3$
- **Insulation Resistance:** $\geq 2000 \text{M}\Omega$
- **Contacts:**
R04JS-9, 15, 21, 25, 31, 37, 51, 66, 74, 100RH

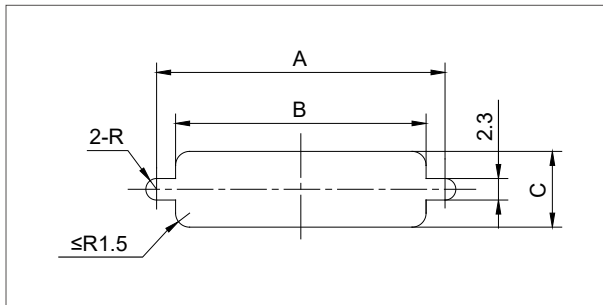
Outline Dimensions



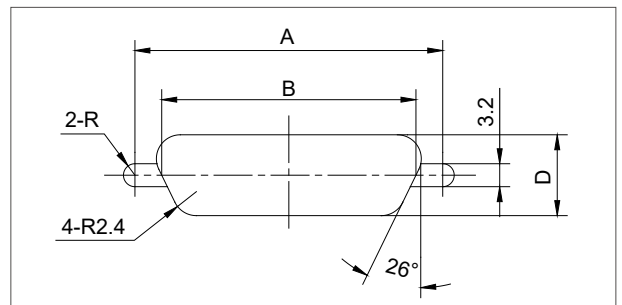
Part Number	A	B	C	D	E	F	G
R04JS-9RH	19.6	14.3	12	9.8	9.9	6.1	6.8
R04JS-15RH	23.5	18.2	12	13.7	13.8	6.1	6.8
R04JS-21RH	27.4	22	12	17.4	17.6	6.1	6.8
R04JS-25RH	29.8	24.5	12	20	20.2	6.1	6.8
R04JS-31RH	33.6	28.3	12	23.8	24	6.1	6.8
R04JS-37RH	37.4	32.2	12	27.7	27.8	6.1	6.8
R04JS-51RH	36.4	30.86	13	26.5	26.6	7.2	7.9
R04JS-66RH							
R04JS-74RH	38.8	33.5	14	29	29.1	8.3	9.1
R04JS-100RH	54.7	45.7	14	36.65	36.8	3.2	9.1

R04J Series Crimping Connectors - Mounting Hole Dimensions

- **Suitable For Product:** R04J-*PI/RH R04J-*PI/RH-D R04J-*PIG/RHG R04J-*PI/RH(9.6)
R04J-*PI/RH(11.6) R04JC-*PI/RH R04J-*RH



Mounting Hole Dimensions For Front Panel Mounting



Mounting Hole Dimensions For Rear Panel Mounting

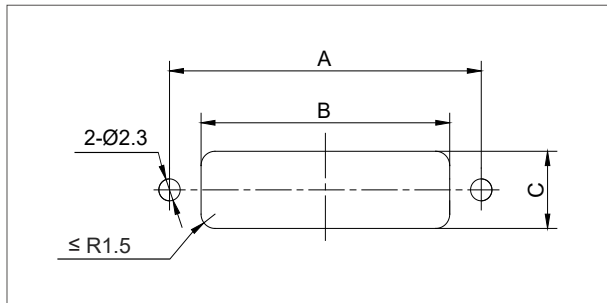
Pin Count	A	B	C	D	Pin Count	A	B	C	D
9	14.3	10.2	7	6.3	37	32.2	28.1	7	6.3
15	18.2	14.1	7	6.3	51	30.86	26.9	8.1	7.4
21	22	17.9	7	6.3	66	37.3	33.4	8.1	7.4
25	24.5	20.5	7	6.3	74	33.5	29.4	9.3	8.6
31	28.3	24.3	7	6.3	100	45.7	37	9.3	8.6

Remark: 1. R04JS is sealing product, we suggest using non-through threaded mounting hole for front panel mounting.

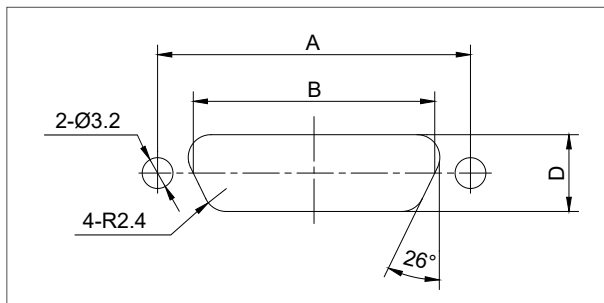
2. All dimensions are in mm.

R04J Series Crimping Connectors - Mounting Hole Dimensions

■ Suitable For Product: R04J-*PI/RH-Q R04J-*PI/RHG-Q R04JC-*RH-Q



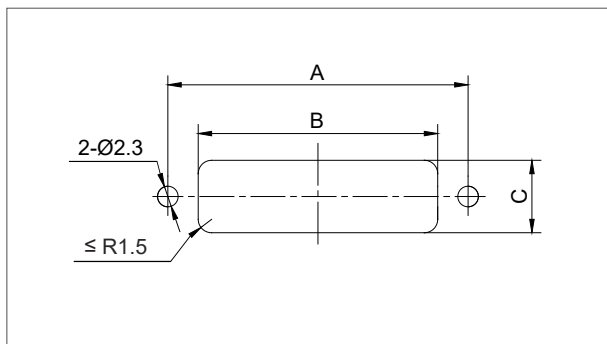
Mounting Hole Dimensions For Front Panel Mounting



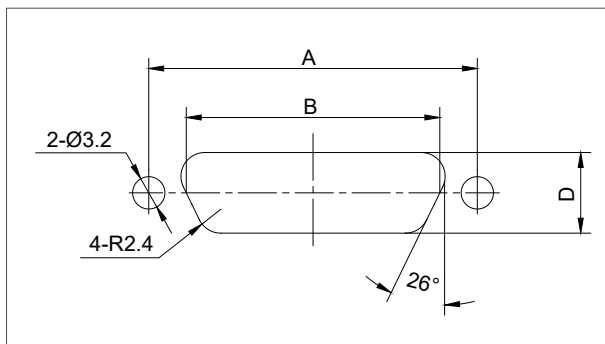
Mounting Hole Dimensions For Rear Panel Mounting

Pin Count	A	B	C	D	Pin Count	A	B	C	D
9	21	10.2	7	6.3	37	38.9	28.1	7	6.3
15	24.9	14.1	7	6.3	51	37.6	26.9	8.1	7.4
21	28.7	17.9	7	6.3	66	44	33.4	8.1	7.4
25	31.2	20.5	7	6.3	74	40.2	29.4	9.3	8.6
31	35	24.3	7	6.3	100	52.4	37	9.3	8.6

■ Suitable For Product: R04J-*PI/RH-Q8



Mounting Hole Dimensions For Front Panel Mounting



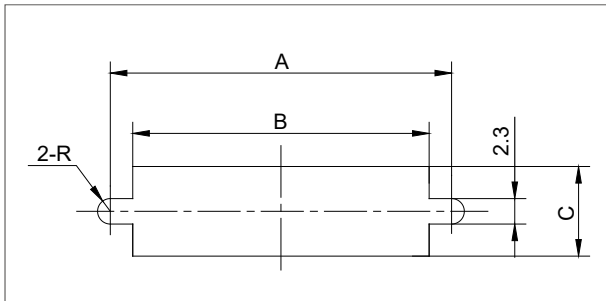
Mounting Hole Dimensions For Rear Panel Mounting

Pin Count	A	B	C	D	Pin Count	A	B	C	D
9	16.1	12	7	6.3	31	30.1	26.1	7	6.3
15	20	15.9	7	6.3	37	34	29.9	7	6.3
21	23.8	19.7	7	6.3	51	32.6	28.7	8.1	7.4
25	26.3	22.3	7	6.3					

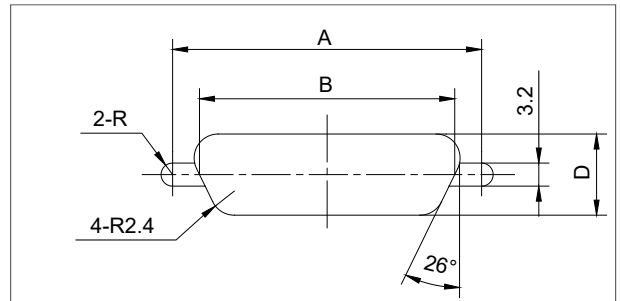
Remark: All dimensions are in mm.

R04J Series Crimping Connectors - Mounting Hole Dimensions

- Suitable For Product: R04J-*PI/RH-A1 R04J-*PI/RH-A1D R04J-*PI/RHG-A1
 R04J-*PI/RH-A1(9.6) R04J-*PI/RHG-A1(11.6) R04J-*PI/RH-A1D(11.6)



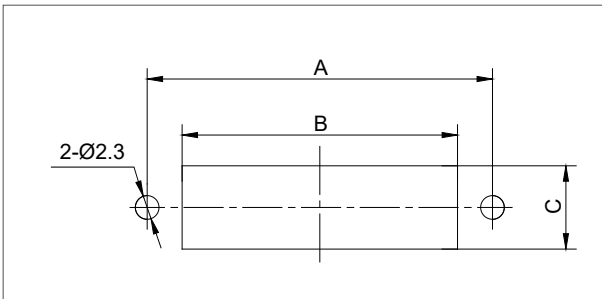
Mounting Hole Dimensions For Front Panel Mounting



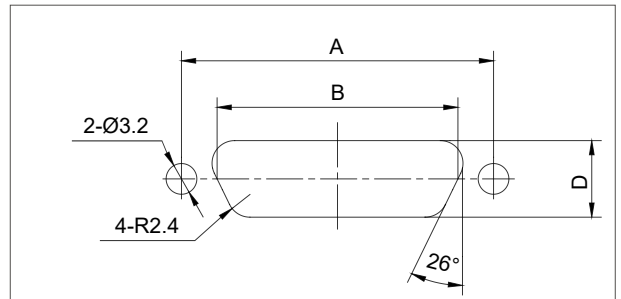
Mounting Hole Dimensions For Rear Panel Mounting

Pin Count	A	B	C	D	Pin Count	A	B	C	D
9	14.3	10.2	8.2	6.3	37	32.2	28.1	8.2	6.3
15	18.2	14.1	8.2	6.3	51	30.86	26.9	9.2	7.4
21	22	17.9	8.2	6.3	66	37.3	33.4	9.2	7.4
25	24.5	20.5	8.2	6.3	74	33.5	29.4	11.2	8.6
31	28.3	24.3	8.2	6.3	100	45.7	37	11.2	8.6

- Suitable For Product: R04J-*PI/RH-A2Q8



Mounting Hole Dimensions For Front Panel Mounting



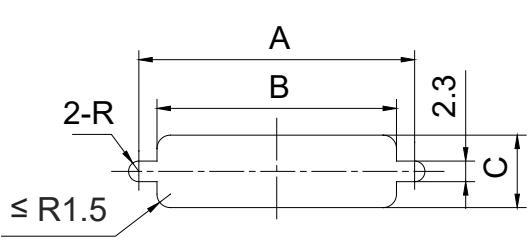
Mounting Hole Dimensions For Rear Panel Mounting

Pin Count	A	B	C	D	Pin Count	A	B	C	D
9	16.1	10.2	8.2	6.3	31	30.1	24.3	8.2	6.3
15	20	14.1	8.2	6.3	37	34	28.1	8.2	6.3
21	23.8	17.9	8.2	6.3	51	32.6	26.9	9.2	7.4
25	26.3	20.5	8.2	6.3					

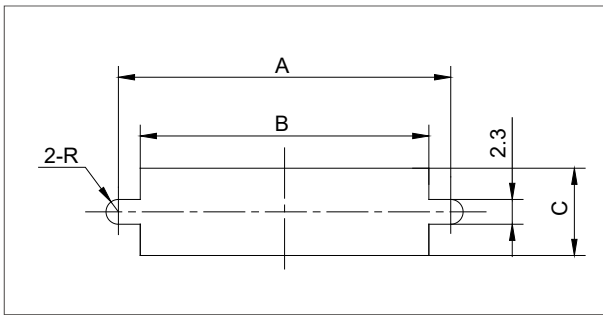
Remark: All dimensions are in mm.

R04J Series Crimping Connectors - Mounting Hole Dimensions

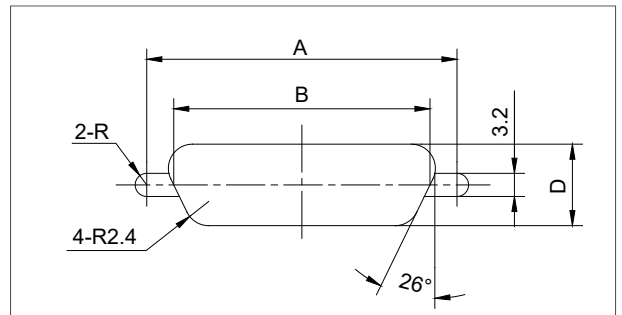
■ Suitable For Product: R04JA-*RH

 <p>Mounting Hole Dimensions For Front Panel Mounting</p>	Pin Count	A	B	C	Pin Count	A	B	C
	9	18.6	10.2	7	37	36.6	28.1	7
	15	22.6	14.1	7	51	35.3	26.9	8.1
	21	26.3	17.9	7	74	37.8	29.4	9.3
	25	28.9	20.5	7	100	45.3	37	9.3
	31	32.7	24.3	7				

■ Suitable For Product: R04J-*PI/RH-C



Mounting Hole Dimensions For Front Panel Mounting



Mounting Hole Dimensions For Rear Panel Mounting

Pin Count	A	B	C	D	Pin Count	A	B	C	D
9	14.3	10.2	8.2	6.3	37	32.2	28.1	8.2	6.3
15	18.2	14.1	8.2	6.3	51	30.86	26.9	9.3	7.4
21	22	17.9	8.2	6.3	66	37.3	33.4	9.3	7.4
25	24.5	20.5	8.2	6.3	74	33.5	29.4	10.3	8.6
31	28.3	24.3	8.2	6.3	100	45.7	37	10.3	8.6

Remark: All dimensions are in mm.

