



Company Profile:

Sunkye International Co., Limited.(Connector) Business Group, with sixty five years of experience, specializes in designing and producing connectors, related components and cables. A wide range of connector products, twist pin connector, optical fiber connector, RF coaxial connector, separable connector, custom and application-

Company profile

specific connector, etc, which are widely used in military area: aerospace, aviation, electrical, ship-building, defense system, etc and civil area: communication, telecom, automotive, rail, etc.

Design team focuses on meeting customers' requirement with continuous innovative technology, manufacture team provides high quality products by utilizing advanced equipments in standardized processes to ensure customers' benefits.

Sunkye is ISO 9001 certified, UL, VDE, CE certification passed, and ensures products quality by testing in realistic conditions with advanced test facilities, professional test employees.

Sunkye team is committed to offering high quality products, best service, prompt delivery and competitive price for you.



Manufacture Equipment:

Five-Axis CNC, AGIE EDM, SODICK WEDM-LS, 40G Vector Network Analyzers, Vacuum Heat Treatment Equipment, Glass-sintered System, Laser Processing Center, High Velocity Ram Machine, Gold, Nickel and Cadmium Plating Production Line, Thermosetting Injection Machine, Thermoplastic Injection Machine, Swiss Automatic Lathe, etc.

Test Facilities:

Comprehensive Test Instrument of Temperature, Humidity and Vibration; Experimental Box of Temperature and Shock; layer thickness meter; Coordinate Measurement Machine, etc.



MIL-DTL-83513 Micro-D Connectors

SUNHYE



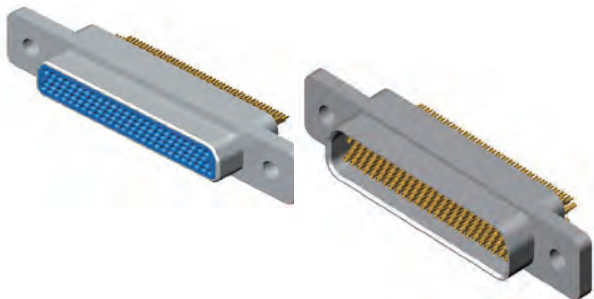
CONTENT



MIL-DTL-83513 Micro-D Connectors
R04J Series Solder Cup Connectors

MIL-DTL-83513 Micro-D Connectors

R04J Series Solder Cup Connectors



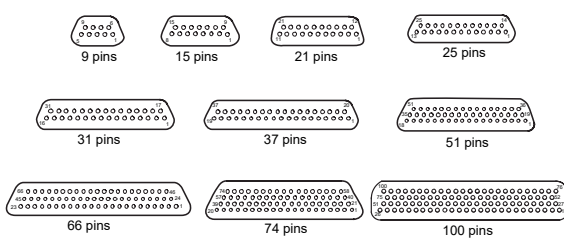
Brief Introduction

- Micro-D Connectors
- Twist Pin Contacts, High Density
- Metal Shell, Nickel or Cadmium Plating
- Solder Cup Connectors
- Meets MIL-DTL-83513

Specifications

- Environment Temperature: -55°C~+125°C
- Vibration: 10Hz~2000Hz, 196m/s²
- Random Vibration: Power spectrum density 0.4G²/Hz
root mean square value of total acceleration 23.1G
- Shock: 735m/s² 11sm
- Rated Current: 3A
- Contact Resistance: ≤10mΩ
- Insulation Resistance: ≥5000MΩ
- Dielectric Strength: 800V
- Durability: 500 times

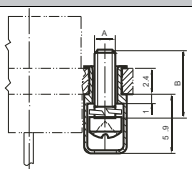
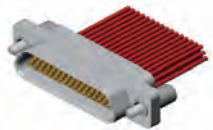
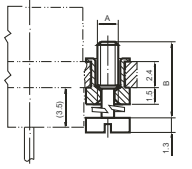
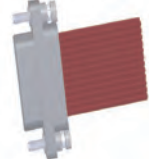
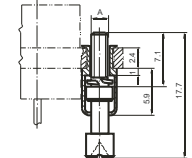
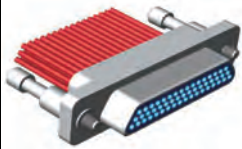
Contact Arrangements



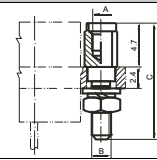
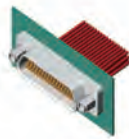
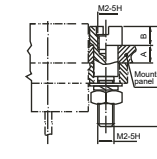
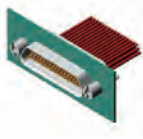
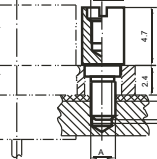
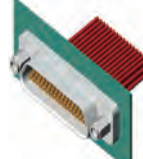
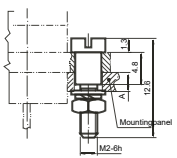
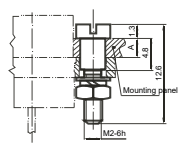
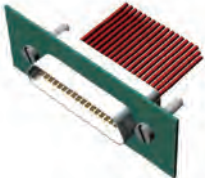
How To Order

Sample Part Number	R04J	-25	PI	J	W	G	A3
Series: R04J—Standard Type R04JS—Glue Sealing R04JS1—Glass-Sintered Sealing (See page 6 to 7)							
Contact Number: 9, 15, 21, 25, 31, 37, 51, 66, 74, 100pins							
Contact Type : PI—Pin in Plug RH—Socket in Receptacle							
Tail Termination Type: J—Solder Cup							
Locking Hardware Type: W—Locking Hardware (See page 2)							
							No Code—No Locking Hardware
Shell Material and Finish : G—Aluminum Shell, Cadmium Plating							
							No Code—Aluminum Shell, Nickel Plating
Cable Clamp Type: A3—Cable Clamp (See page 3)							
							No Code—No Cable Clamp

Free End Locking Hardware For R04J Series Solder Cup Connectors



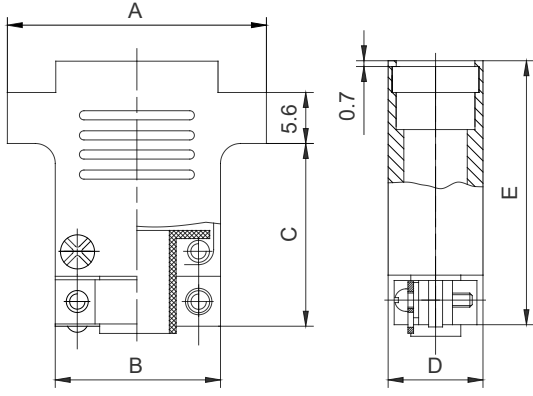
Type	A	B	Outline Dimensions	Assembly Picture	Matched with Locking Hardware
W	M2-6h	7.1			Q,Q0,Q2,Q3,Q4,Q5,Q7,Q8,Q9,Q10,Q11, Q14,Q15,Q17,Q23,Q25,Q29,Q32,Q35, Q36,Q37,Q41,Q42,Q43,Q45,Q46
W8	#2-56UNC-2A	7.1			Q1
W7	M2-6h	7.1			Q,Q0,Q2,Q3,Q4,Q5,Q7,Q8,Q9,Q10,Q11, Q14,Q15,Q17,Q23,Q25,Q29,Q32,Q35, Q36,Q37,Q41,Q42,Q43,Q45,Q46
N	M2-6h				Q,Q0,Q2,Q3,Q4,Q5,Q7,Q8,Q9,Q10,Q11, Q14,Q15,Q17,Q23,Q25,Q29,Q32,Q35, Q36,Q37,Q41,Q42,Q43,Q45,Q46
N1	#2-56UNC-2A				Q1

Fixed End Locking Hardware For R04J Series Solder Cup Connectors

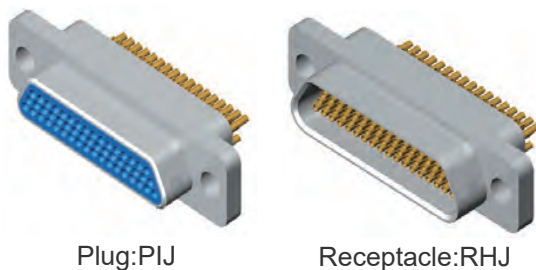
Type	A	B	C	Outline Dimensions	Assembly Picture	Matched with Locking Hardware	
Q	M2-6h	M2-6h	12.6			W, W7, W9, N	
Q1	#2-56UNC-2B	#2-56UNC-2A	12.6			W8, N1	Note: Use with front panel mounting solder cup connectors
Q8	M2-6h	M2-6h	15.6			W,W7,W9,N	
Q9	M2-6h	M2-6h	21.6			W,W7,N	
Q0	4.1	0.6	12.6			W, W7, W9, N	
Q3	3.3	1.4	12.6			Note: Use with rear panel mounting solder cup connectors	
Q4	2.5	2.2	12.6				
Q11	1.3	3.4	12.6				
Q45	2.7	2	20				
Q29	M3-6h	10.5	3.3min			W,W7,W9,N	
Q36	M3-6h	14.7	6min			Note:1. Use with front panel mounting solder cup connectors 2. For R04JS series	
Q37	M2-6h	10	2.8min				
Q43	M3-6h	11.7	4min				
Q44				 Front Panel Mounting	 Rear Panel Mounting		Note: 1. No need to lock with free end locking hardware 2. Front panel mounting, "A" dimension is 2.5~3.5mm 3. Rear panel mounting, (1) Mated with connectors without locking hardware, "A" dimension is 3.5mm max (2) Mated with connectors with fixed end locking hardware, "A" dimension is 4.9mm minus 1.3mm (The distance between bolt and flange of connector)

Remark: 1. Fixed end locking hardware apply to fix the connectors on the mounting panels or the PCB. Most fixed end locking hardware can be mated with free end locking hardware, but a little can not. (eg. Q44)
2. All dimensions are in mm.

R04J Series A3 Cable Clamp

Stereogram	  Only A3 Cable Clamp Plug With A3 Cable Clamp	Outline Dimensions					
		Pin Count	A	B	C	D	E
Outline Dimensions 		9	19.6	9.9	18.2	10.4	27
		15	23.5	13.8	18.2	10.4	27
		21	27.4	17.6	19.2	10.4	28
		25	29.8	20.2	19.2	10.4	28
		31	33.6	24	19.2	10.4	28
		37	37.4	27.8	19.2	10.4	28
		51	36.4	26.6	21.2	11.2	30
Using Conditions 1.For R04J Solder Cup Basic Type 2.For R04J Crimp Basic Type		66	42.9	29.1	21.2	11.2	30
		74	38.8	29.1	21.2	12	30
		100	54.7	40.7	21.2	12	30

R04J Series Solder Cup Connectors - Basic Type



- **Shell Plating:** Nickel or Cadmium
- **The Spacing of Arrangements of The Tail:**1.27x1.1mm
- **Termination Type:** Solder Cup
- **Contacts:**
R04J- 9, 15, 21, 25, 31, 37, 51, 66, 74, 100 PIJ/RHJ

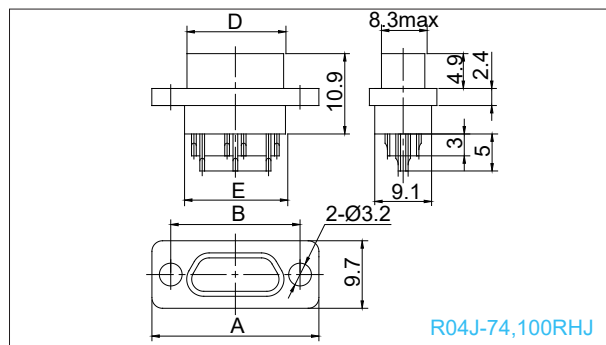
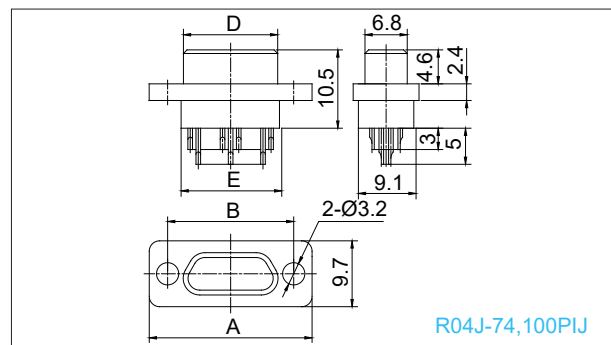
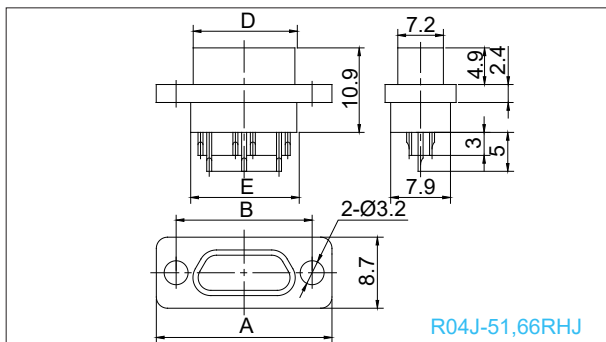
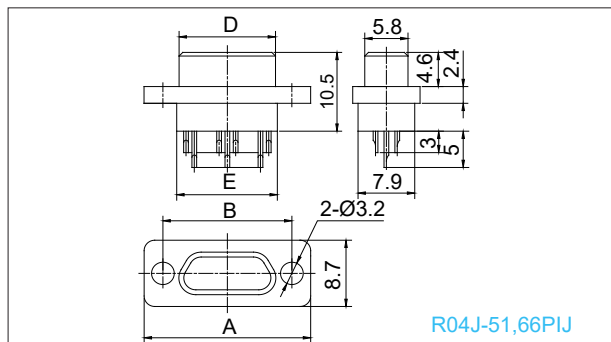
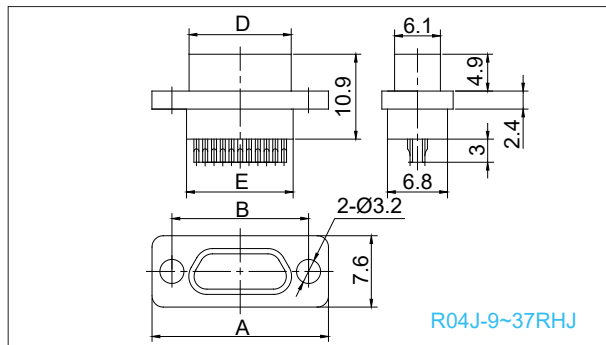
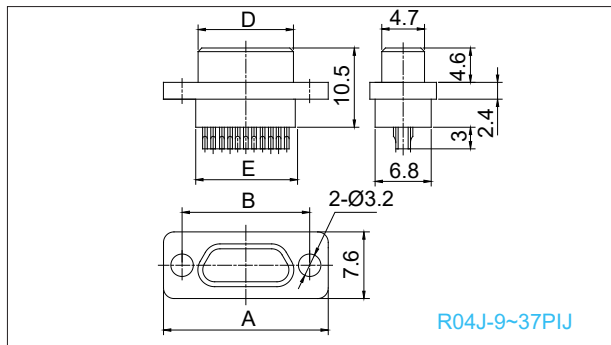
R04J Series Solder Cup Basic Type Assembled With Cable Clamp



Remark:1.Example of R04J series solder cup connectors with A3 cable clamp.
2.All dimensions are in mm.



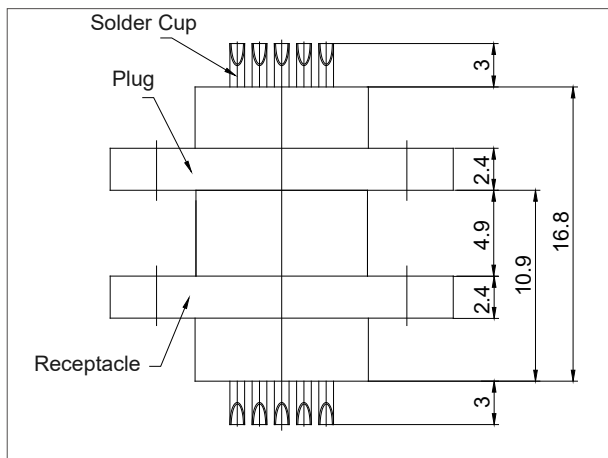
Outline Dimensions



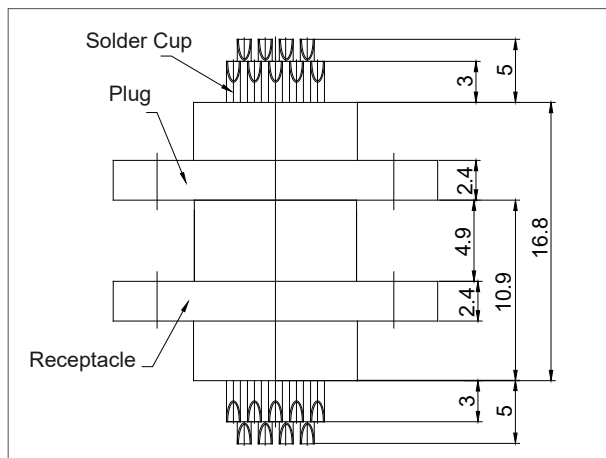
Part Number	A	B	D		E
			PIJ	RHJ	
R04J-9PIJ/RHJ	19.6	14.3	8.3	9.8	9.9
R04J-15PIJ/RHJ	23.5	18.2	12.3	13.7	13.8
R04J-21PIJ/RHJ	27.4	22	16	17.4	17.6
R04J-25PIJ/RHJ	29.8	24.5	18.6	20	20.2
R04J-31PIJ/RHJ	33.6	28.3	22.4	23.8	24
R04J-37PIJ/RHJ	37.4	32.2	26.3	27.7	27.8
R04J-51PIJ/RHJ	36.4	30.86	25	26.5	26.6
R04J-66PIJ/RHJ	42.9	37.3	31.4	32.9	33
R04J-74PIJ/RHJ	38.8	33.5	27.5	29	29.1
R04J-100PIJ/RHJ	54.7	45.7	35	36.6	36.3

Remark: All dimensions are in mm.

Outline Dimensions After Mating (Without A3 Cable Clamp)

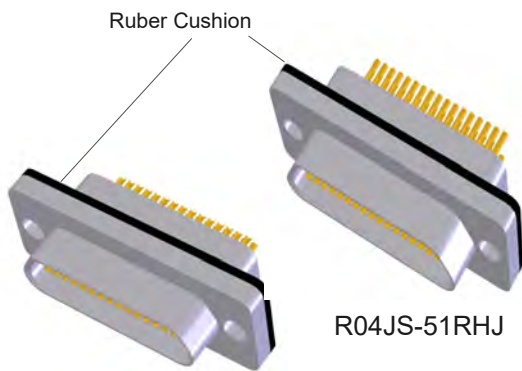


R04J-9~37pins



R04J-51~100pins

R04J Series Solder Cup Type - Glue Sealing Connectors

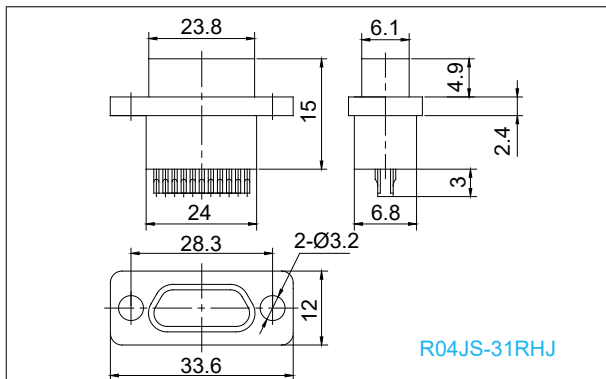


R04JS-31RHJ

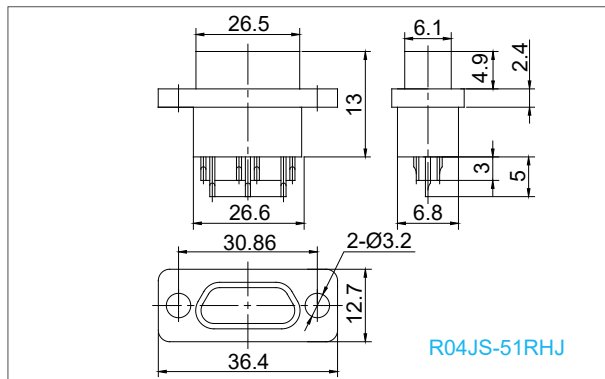
R04JS-51RHJ

- **Shell Plating:** Nickel or Cadmium
- **The Spacing of Arrangements of The Tail:** 1.27x1.1mm
- **Termination Type:** Solder Cup
- **The Flange with A Rubber Cushion, Thickness:** 1mm
- **Glue Sealing Connectors (Receptacle Only)**
- **The Air Leakage Rate:** $5 \times 10^{-2} \text{Pa} \cdot \text{CM}^3/\text{s}$
- **Insulation Resistance:** $\geq 2000 \text{M}\Omega$
- **Contacts:** R04JS-31,51RHJ

Outline Dimensions



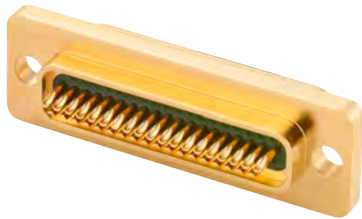
R04JS-31RHJ



R04JS-51RHJ

Remark: All dimensions are in mm.

R04J Series Solder Cup Type - Glass-Sintered Sealing Connectors



- **Shell:** Kovar Alloy Shell, Gold Plating
- **The Spacing of Arrangements of The Tail:** 1.27x1.1mm
- **Termination Type:** Solder Cup
- **The Flange with A Rubber Cushion, Thickness:** 1mm
- **Glass-Sintered Sealing Connectors (Receptacle Only)**
- **The Air Leakage Rate:** $1 \times 10^{-3} \text{Pa} \cdot \text{CM}^3/\text{s}$
- **Insulation Resistance:** $\geq 5000 \text{M}\Omega$
- **Contact Resistance:** $\leq 30 \text{m}\Omega$
- **Dielectric Strength:** 600Vr.m.s
- **Contacts:** R04JS1-9, 15, 21, 25, 31, 37, 51RHJ
- **Other Performance is The Same as R04J Standard Type**

How To Order

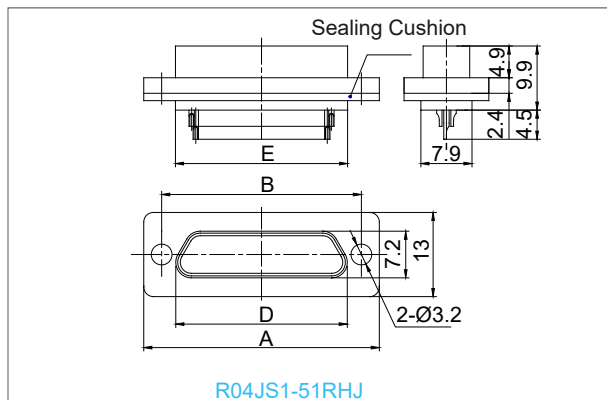
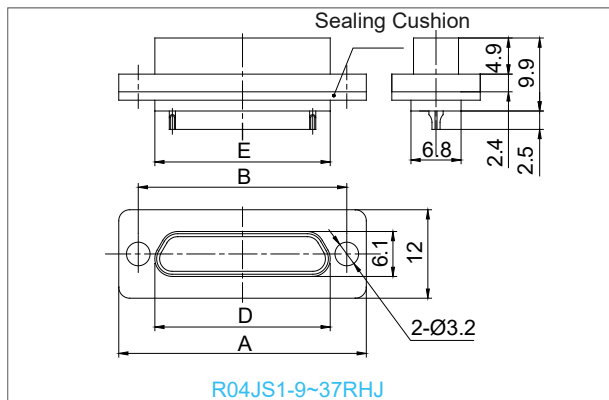
Sample Part Number	R04JS1	-25	RH	J	Q29	K	-A3
Series:	R04JS1—Glass-Sintered Sealing(Receptacle Only)						
Contact Number:	9, 15, 21, 25, 31, 37, 51pins						
Contact Type :	RH—Socket in Receptacle						
Tail Termination Type:	J—Solder Cup						
Locking Hardware Type:	Q29, Q36, Q37, Q43 (See page 2)		No Code—No Locking Hardware				
Shell Material and Finish :	K—Kovar Alloy Shell, Gold Plating						
Cable Clamp Type:	A3—Cable Clamp (See page 3)		No Code—No Cable Clamp				

Remark: This product is front panel mounting, we suggest using non-through threaded mounting hole.

Matching with locking hardware Q29, Q36, Q37, Q43. other mounting types need to be customized.



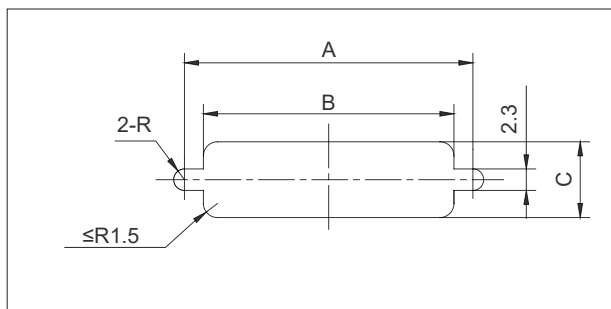
Outline Dimensions



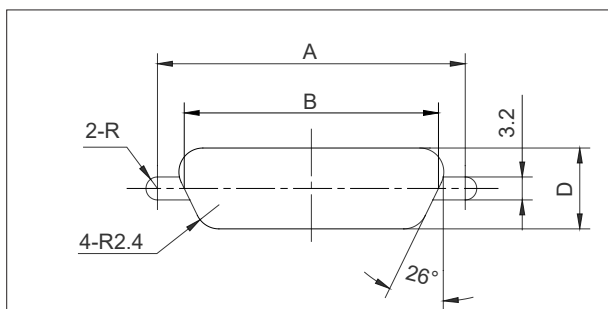
Part Number	A	B	D	E
R04JS1-9RHJ	19.6	14.3	9.8	9.7
R04JS1-15RHJ	23.5	18.2	13.7	13.6
R04JS1-21RHJ	27.4	22	17.4	17.4
R04JS1-25RHJ	29.8	24.5	20	20
R04JS1-31RHJ	33.6	28.3	23.8	23.8
R04JS1-37RHJ	37.4	32.2	27.7	27.6
R04JS1-51RHJ	36.4	30.86	26.5	26.4

Solder Cup Types (R04JS and R04JS1) - Mounting Hole Dimensions

■ Suitable For Products: R04JS-*RHJ and R04JS1-*RHJ



Mounting Hole Dimensions For Front Panel Mounting



Mounting Hole Dimensions For Rear Panel Mounting

Contact Nos	A	B	C	D	Contact Nos	A	B	C	D
9 pins	14.3	10.2	7	6.3	37 pins	32.2	28.1	7	6.3
15 pins	18.2	14.1	7	6.3	51 pins	30.86	26.9	8.1	7.4
21 pins	22	17.9	7	6.3	66 pins	37.3	33.4	8.1	7.4
25 pins	24.5	20.5	7	6.3	74 pins	33.5	29.4	9.3	8.6
31 pins	28.3	24.3	7	6.3	100 pins	45.7	37	9.3	8.6

Remark: 1. R04JS and R04JS1 are both sealing products, we suggest using non-through threaded mounting hole for front panel mounting.

2. All dimensions are in mm.

