



## Company Profile:

Sunkye International Co., Limited.(Connector) Business Group, with sixty five years of experience, specializes in designing and producing connectors, related components and cables. A wide range of connector products, twist pin connector, optical fiber connector, RF coaxial connector, separable connector, custom and application-

# *Company profile*

specific connector, etc, which are widely used in military area: aerospace, aviation, electrical, ship-building, defense system, etc and civil area: communication, telecom, automotive, rail, etc.

Design team focuses on meeting customers' requirement with continuous innovative technology, manufacture team provides high quality products by utilizing advanced equipments in standardized processes to ensure customers' benefits.

Sunkye is ISO 9001 certified, UL, VDE, CE certification passed, and ensures products quality by testing in realistic conditions with advanced test facilities, professional test employees.

Sunkye team is committed to offering high quality products, best service, prompt delivery and competitive price for you.



## Manufacture Equipment:

Five-Axis CNC, AGIE EDM, SODICK WEDM-LS, 40G Vector Network Analyzers, Vacuum Heat Treatment Equipment, Glass-sintered System, Laser Processing Center, High Velocity Ram Machine, Gold, Nickel and Cadmium Plating Production Line, Thermosetting Injection Machine, Thermoplastic Injection Machine, Swiss Automatic Lathe, etc.

## Test Facilities:

Comprehensive Test Instrument of Temperature, Humidity and Vibration; Experimental Box of Temperature and Shock; layer thickness meter; Coordinate Measurement Machine, etc.



MIL-DTL-83513 Micro-D Connectors

**SUNHYE**



# CONTENT

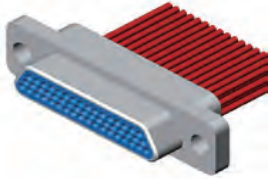


## **MIL-DTL-83513 Micro-D Connectors**

<b>R04J Series Crimping Connectors .....</b>	<b>1</b>
<b>R04J Series Straight to PCB Connectors.....</b>	<b>19</b>
<b>R04J Series Right Angle to PCB Connectors.....</b>	<b>31</b>
<b>R04J Series Solder Cup Connectors.....</b>	<b>46</b>

# MIL-DTL-83513 Micro-D Connectors

## R04J Series Crimping Connectors



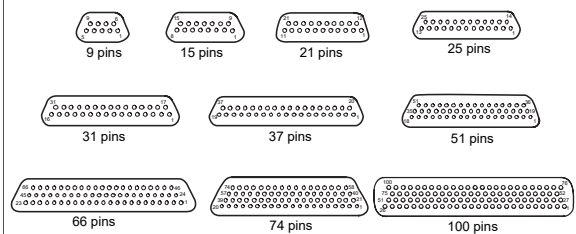
### Brief Introduction

- Micro-D Connectors
- Twist Pin Contacts, High Density
- Metal Shell, Nickel or Cadmium Plating
- Crimping Connectors
- The Sectional Area of Cable: 0.1mm~0.15mm, 0.07mm
- Meets MIL-DTL-83513

### Specifications

- Environment Temperature: -55°C~+125°C
- Vibration: 10Hz~2000Hz, 196m/s<sup>2</sup>
- Random Vibration: Power spectrum density 0.4G<sup>2</sup>/Hz  
root mean square value of total acceleration 23.1G
- Shock: 735m/s<sup>2</sup> 11sm
- Rated Current: 3A
- Contact Resistance: ≤10mΩ
- Insulation Resistance: ≥5000MΩ
- Dielectric Strength: 800V
- Durability: 500 times

### Contact Arrangements



### How To Order

Sample Part Number **R04J -25 PI W7 G A1 -C -26 9 10**

#### Series:

R04J—Standard Type  
 R04JA—Fast Lock Type  
 R04JC—Sn-P Bronze Shell, Nickel Plating  
 R04JD—Assembly Hole is Threaded Hole:M2-6H  
 R04JS—Glue Sealing

#### Contact Number:

9, 15, 21, 25, 31, 37, 51, 66, 74, 100pins

#### Contact Type:

PI—Pin in Plug                      RH—Socket in Receptacle

#### Locking Hardware Type:

W7—Locking Hardware (See page 2)      No Code—No Locking Hardware

#### Shell Material and Finish:

G—Aluminum Shell, Cadmium Plating      No Code—Aluminum Shell, Nickel Plating

#### Cable Clamp Type:

A1—Cable Clamp (See page 3)              No Code—No Cable Clamp

#### Extended Series :

No Code—R04J Crimping Connectors Basic Type      (9.6)—The Width of Flange is 9.6mm  
 C—Cable Outlet Direction is Vertical to Contacts      (11.6)—The Width of Flange is 11.6mm  
 D—With Anti-Rotation Slot on The Flange              Q—Widened Flange  
 Q8—The Sizes of Flange and Assembly Hole are Enlarged

#### Wire Gage:

26—AWG26

#### Wire Color:

9—White    T—Ten Color Repeating

#### Wire Length:

10—Wire Length in cm. "10" Specifies 10cm



**Free End Locking Hardware For R04J Series Crimping Connectors**



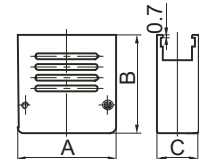


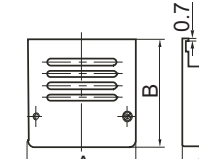


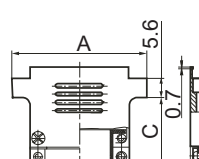
Type	A	B	Outline Dimensions	Assembly Picture	Matched with Locking Hardware
W	M2-6h	7.1			Q,Q0,Q2,Q3,Q4,Q5,Q7,Q8,Q9,Q10,Q11, Q14,Q15,Q17,Q23,Q25,Q29,Q32,Q35, Q36,Q37,Q41,Q42,Q43,Q45,Q46
W8	#2-56UNC-2A	7.1			Q1
W7	M2-6h	7.1			Q,Q0,Q2,Q3,Q4,Q5,Q7,Q8,Q9,Q10,Q11, Q14,Q15,Q17,Q23,Q25,Q29,Q32,Q35, Q36,Q37,Q41,Q42,Q43,Q45,Q46
W9					Q,Q0,Q2,Q3,Q4,Q5,Q7,Q8,Q9,Q10,Q11, Q14,Q15,Q17,Q23,Q25,Q29,Q32,Q35, Q36,Q37,Q41,Q42,Q43,Q45,Q46 Note: W9 is just suitable for R04JD series product.
N	M2-6h				Q,Q0,Q2,Q3,Q4,Q5,Q7,Q8,Q9,Q10,Q11, Q14,Q15,Q17,Q23,Q25,Q29,Q32,Q35, Q36,Q37,Q41,Q42,Q43,Q45,Q46
N1	#2-56UNC-2A				Q1

**Fixed End Locking Hardware For R04J Series Crimping Connectors**

Type	A	B	C	Outline Dimensions	Assembly Picture	Matched with Locking Hardware	
Q	M2-6h	M2-6h	12.6			W, W7, W9, N	
Q1	#2-56UNC-2B	#2-56UNC-2A	12.6			W8, N1	Note: Use with front panel mounting crimping connectors
Q8	M2-6h	M2-6h	15.6			W,W7,W9,N	
Q9	M2-6h	M2-6h	21.6			W,W7,N	
Q0	4.1	0.6	12.6			W, W7, W9, N	
Q3	3.3	1.4	12.6			Note: Use with rear panel mounting crimping connectors	
Q4	2.5	2.2	12.6				
Q11	1.3	3.4	12.6				
Q45	2.7	2	20				
Q29	M3-6h	10.5	3.3min				W,W7,W9,N
Q36	M3-6h	14.7	6min			Note: 1. Use with front panel mounting crimping connectors 2. For R04JS series	
Q37	M2-6h	10	2.8min				
Q43	M3-6h	11.7	4min				
Q44				 Front Panel Mounting  Rear Panel Mounting	 Note: 1. No need to lock with free end locking hardware 2. Front panel mounting, "A" dimension is 2.5~3.5mm 3. Rear panel mounting, (1) Mated with connectors without locking hardware, "A" dimension is 3.5mm max (2) Mated with connectors with fixed end locking hardware, "A" dimension is 4.9mm minus 1.3mm (The distance between bolt and flange of connector)		

Remark: 1. Fixed end locking hardware apply to fix the connectors on the mounting panels or the PCB. Most fixed end locking hardware can be mated with free end locking hardware, but a little can not. (eg. Q44)  
 2. All dimensions are in mm.

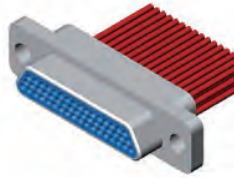
## R04J Series Cable Clamp

Type	Stereogram		Outline Dimensions	Using Conditions							
<b>A1</b>	 Only A2 Cable Clamp	 Plug With A1 Cable Clamp		1. For R04J Crimp Basic Type 2. For Free End Locking Hardware							
<b>A2</b>	 Only A2 Cable Clamp	 Plug With A2 Cable Clamp		For R04J-9~51PI/RH-Q8							
<b>A3</b>	 Only A3 Cable Clamp	 Plug With A3 Cable Clamp		1. For R04J Crimp Basic Type 2. For R04J Solder Cup Basic Type							
Pin Count	A1			A2			A3				
	A	B	C	A	B	C	A	B	C	D	E
9	9.9	23.6	10.4	11.7	22	13.4	19.6	9.9	18.2	10.4	27
15	13.8	23.8	10.4	15.6	22	13.4	23.5	13.8	18.2	10.4	27
21	17.6	23.6	10.4	19.4	22	13.4	27.4	17.6	19.2	10.4	28
25	20.2	23.6	10.4	22	22	13.4	29.8	20.2	19.2	10.4	28
31	24	23.6	10.4	25.8	22	13.4	33.6	24	19.2	10.4	28
37	27.8	23.6	10.4	29.6	22	13.4	37.4	27.8	19.2	10.4	28
51	26.6	26.6	11.2	28.4	22	14.6	36.4	26.6	21.2	11.2	30
66	33	26.6	11.2	---	---	---	42.9	29.1	21.2	11.2	30
74	29.1	30	12	---	---	---	38.8	29.1	21.2	12	30
100	40.7	30	12	---	---	---	54.7	40.7	21.2	12	30

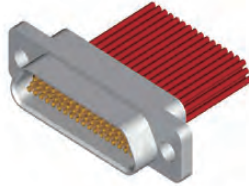
Remark: All dimensions are in mm.

## R04J Series Crimping Connectors - Basic Type

- **Contacts:** R04J- 9, 15, 21, 25, 31, 37, 51, 66, 74, 100 PI /RH(G)
- **Shell Plating:** Nickel or Cadmium



Plug:PI



Receptacle:RH

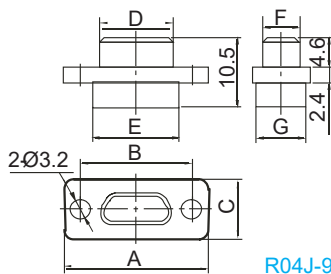


Plug:PIG

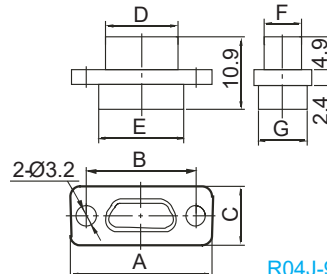


Receptacle:RHG

### Outline Dimensions



R04J-9~100PI

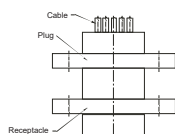


R04J-9~100RH

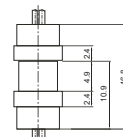
Part Number	A	B	C	D	E	F	G
R04J-9PI/PIG	19.6	14.3	7.6	8.3	9.9	4.7	6.8
R04J-15PI/PIG	23.5	18.2	7.6	12.3	13.8	4.7	6.8
R04J-21PI/PIG	27.4	22	7.6	16	17.6	4.7	6.8
R04J-25PI/PIG	29.8	24.5	7.6	18.6	20.2	4.7	6.8
R04J-31PI/PIG	33.6	28.3	7.6	22.4	24	4.7	6.8
R04J-37PI/PIG	37.4	32.2	7.6	26.3	27.8	4.7	6.8
R04J-51PI/PIG	36.4	30.86	8.7	25	26.6	5.8	7.9
R04J-66PI/PIG	42.9	37.3	8.7	31.4	33	5.8	7.9
R04J-74PI/PIG	38.8	33.5	9.7	27.5	29.1	6.8	9.1
R04J-100PI/PIG	54.7	45.7	9.7	35	36.6	6.8	9.1
R04J-9RH/RHG	19.6	14.3	7.6	9.8	9.9	6.1	6.8
R04J-15RH/RHG	23.5	18.2	7.6	13.7	13.8	6.1	6.8
R04J-21RH/RHG	27.4	22	7.6	17.4	17.6	6.1	6.8
R04J-25RH/RHG	29.8	24.5	7.6	20	20.2	6.1	6.8
R04J-31RH/RHG	33.6	28.3	7.6	23.8	24	6.1	6.8
R04J-37RH/RHG	37.4	32.2	7.6	27.7	27.8	6.1	6.8
R04J-51RH/RHG	36.4	30.86	8.7	26.5	26.6	7.2	7.9
R04J-66RH/RHG	42.9	37.3	8.7	32.9	33	7.2	7.9
R04J-74RH/RHG	38.8	33.5	9.7	29	29.1	8.3	9.1
R04J-100RH/RHG	54.7	45.7	9.7	36.6	36.65	8.2	9.1

Remark: All dimensions are in mm.

### Outline Dimensions After Mating (Without Cable Clamp)



The Main View



The Left View

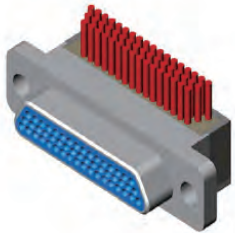
## R04JC Series Crimping Connectors - Basic Type

- Sn-P Bronze Shell, Nickel Plating
- **Contacts:** R04JC- 9, 15, 21, 25, 31, 37, 51, 66, 74, 100PI/RH
- **Outline Dimensions:** Same as R04J Crimping Connectors Basic Type (See above datasheet)

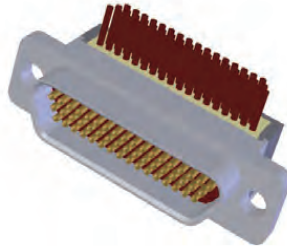


## R04J Series Crimping Connectors - Extended Type C

- The Outlet Direction of Cable is Vertical to The Contacts, Crimp Termination
- **Contacts:** R04J- 9, 15, 21, 25, 31, 37, 51, 66, 74, 100 PI/RH-C

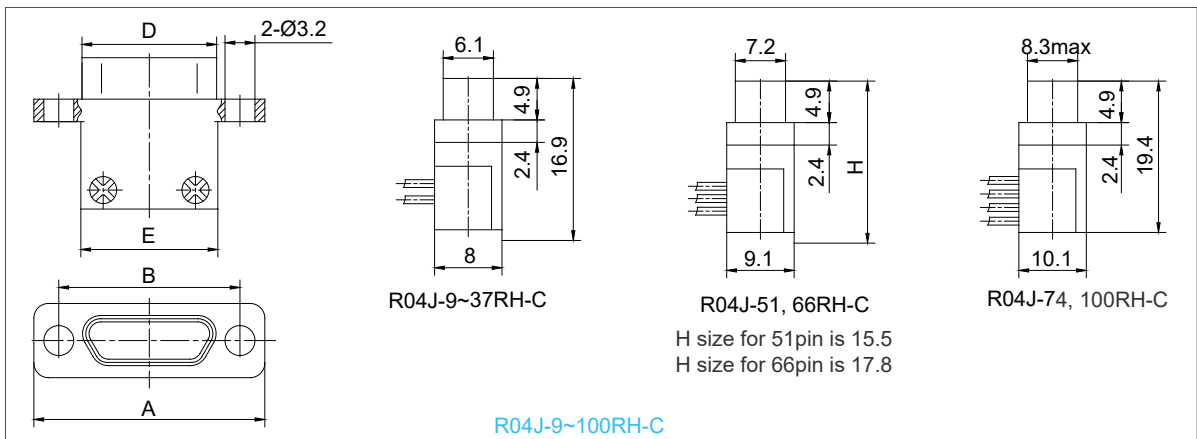
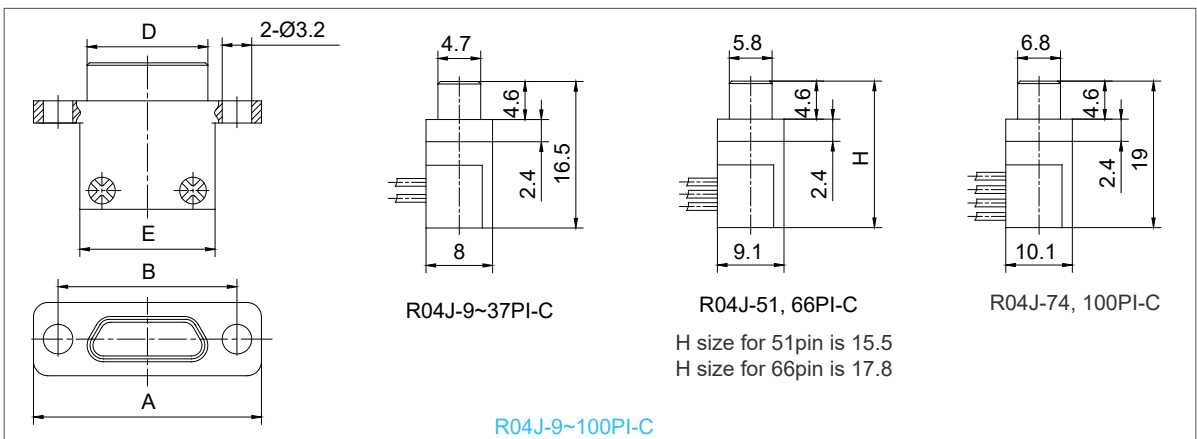


Plug:PI-C



Receptacle:RH-C

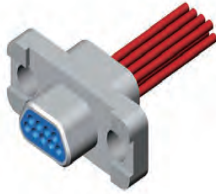
### Outline Dimensions



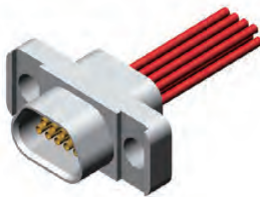
Part Number	A	B	D		E
			PI-C	RH-C	
R04J-9PI/RH-C	19.6	14.3	8.3	9.8	9.9
R04J-15PI/RH-C	23.5	18.2	12.3	13.7	13.8
R04J-21PI/RH-C	27.4	22	16	17.4	17.6
R04J-25PI/RH-C	29.8	24.5	18.6	20	20.2
R04J-31PI/RH-C	38.6	28.3	22.4	23.8	24
R04J-37PI/RH-C	37.4	32.2	26.3	27.7	27.8
R04J-51PI/RH-C	36.4	30.86	25	26.5	26.6
RD4J-66PI/RH-C	42.9	37.3	31.4	32.9	33
RD4J-74PI/RH-C	38.8	33.5	27.5	29	29.1
R04J-100PI/RH-C	54.7	45.7	35	36.6	36.6

Remark: 1.All dimensions are in mm.  
2.The outlet direction of cable for R04J-9~100PI-C is opposite to R04J-9~100RH-C.

## R04J Series Crimping Connectors - Extended Type D



Plug:PI-D



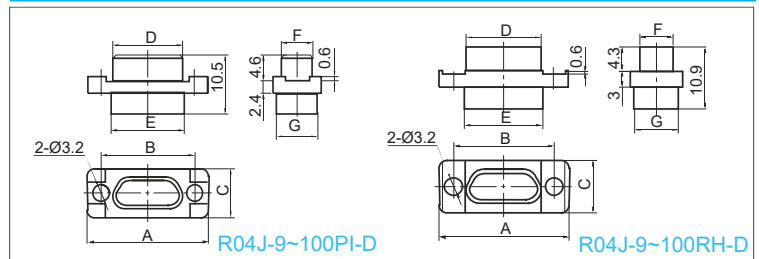
Receptacle:RH-D

- With Anti-Rotation Slots on The Flange

■ **Contacts:**

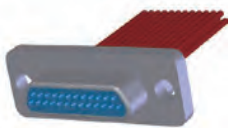
R04J- 9, 15, 21, 25, 31, 37, 51, 66, 74, 100 PI/RH-D

### Outline Dimensions

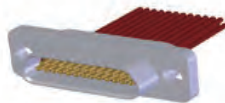


Part Number	A	B	C	D		E	F		G
				PI-D	RH-D		PI-D	RH-D	
R04J-9PI/RH-D	19.6	14.3	7.6	8.3	9.8	9.9	4.7	6.1	6.8
R04J-15PI/RH-D	23.5	18.2	7.6	12.3	13.7	13.8	4.7	6.1	6.8
R04J-21PI/RH-D	27.4	22	7.6	16	17.4	17.6	4.7	6.1	6.8
R04J-25PI/RH-D	29.8	24.5	7.6	18.6	20	20.2	4.7	6.1	6.8
R04J-31PI/RH-D	33.6	28.3	7.6	22.4	23.8	24	4.7	6.1	6.8
R04J-37PI/RH-D	37.4	32.2	7.6	26.3	27.7	27.8	4.7	6.1	6.8
R04J-51PI/RH-D	36.4	30.86	8.7	25	26.5	26.6	5.8	7.2	7.9
R04J-66PI/RH-D	42.9	37.3	8.7	31.4	32.9	33	5.8	7.2	7.9
R04J-74PI/RH-D	38.8	33.5	9.7	27.5	29	29.1	6.8	8.3	9.1
R04J-100PI/RH-D	54.7	45.7	9.7	35	36.6	36.6 / 36.65	6.8	8.2	9.1

## R04J Series Crimping Connectors - Extended Type(9.6)



Plug:PI(9.6)



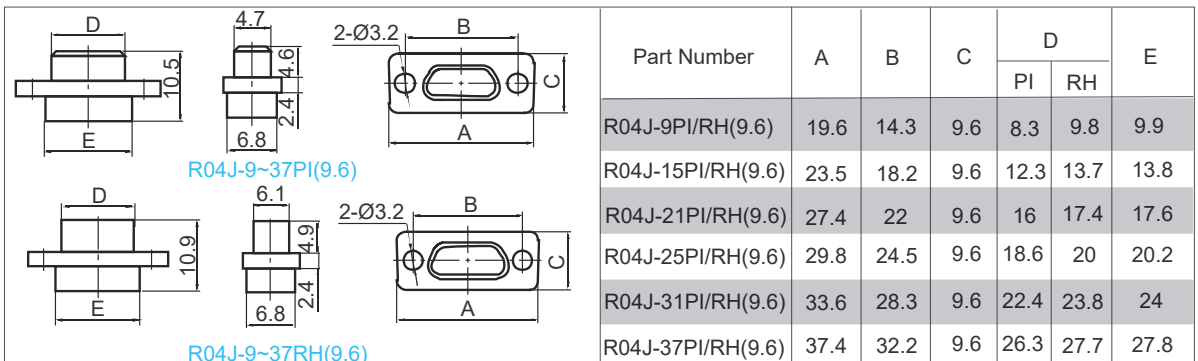
Receptacle:RH(9.6)

- The Width of Flange is 9.6mm.

■ **Contacts:**

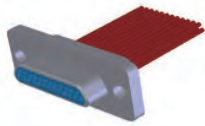
R04J- 9, 15, 21, 25, 31, 37PI/RH(9.6)

### Outline Dimensions

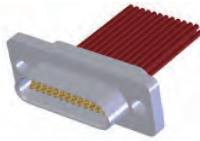


Remark: All dimensions are in mm.

## R04J Series Crimping Connectors - Extended Type(11.6)



Plug:PI(11.6)



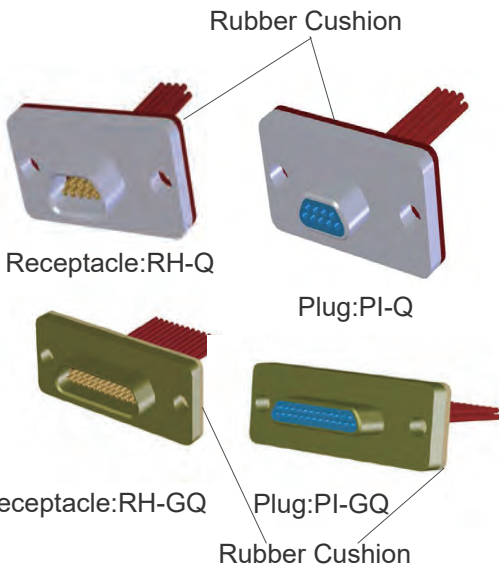
Receptacle:RH(11.6)

- The Width of Flange is 11.6mm.
- **Contacts:**  
R04J- 9, 15, 21, 25, 31, 37PI/RH(11.6)

### Outline Dimensions

Part Number	A	B	C	D		E
				PI	RH	
R04J-9PI/RH(11.6)	19.6	14.3	11.6	8.3	9.8	9.9
R04J-15PI/RH(11.6)	23.5	18.2	11.6	12.3	13.7	13.8
R04J-21PI/RH(11.6)	27.4	22	11.6	16	17.4	17.6
R04J-25PI/RH(11.6)	29.8	24.5	11.6	18.6	20	20.2
R04J-31PI/RH(11.6)	33.6	28.3	11.6	22.4	23.8	24
R04J-37PI/RH(11.6)	37.4	32.2	11.6	26.3	27.7	27.8

## R04J Series Crimping Connectors - Extended Type Q



- The Flange is Widened
- With A Rubber Cushion, Thickness:1mm
- **Shell Plating:** Nickel or Cadmium
- **Contacts:**  
R04J- 9, 15, 21, 25, 31, 37, 51, 66, 74, 100PI/RH-Q/GQ

### Outline Dimensions

Part Number	A	B	C	D		E	F		G
				PI	RH		PI	RH	
R04J-9~100PI-Q	26	21	14	8.3	9.8	9.9	4.7	6.1	6.8
R04J-9~100RH-Q	29.9	24.9	14	12.3	13.7	13.8	4.7	6.1	6.8

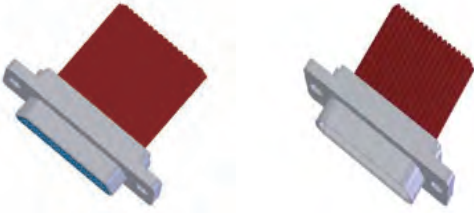
Part Number	A	B	C	D		E	F		G
				PI	RH		PI	RH	
R04J-9PI/RH-Q	26	21	14	8.3	9.8	9.9	4.7	6.1	6.8
R04J-15PI/RH-Q	29.9	24.9	14	12.3	13.7	13.8	4.7	6.1	6.8
R04J-21PI/RH-Q	33.8	28.7	14	16	17.4	17.6	4.7	6.1	6.8
R04J-25PI/RH-Q	36.2	31.2	14	18.6	20	20.2	4.7	6.1	6.8
R04J-31PI/RH-Q	40	35	14	22.4	23.8	24	4.7	6.1	6.8
R04J-37PI/RH-Q	43.8	38.9	14	26.3	27.7	27.8	4.7	6.1	8.8
R04J-51PI/RH-Q	42.6	37.6	15.2	25	26.5	26.6	5.8	7.2	7.9
R04J-66PI/RH-Q	49.3	44	15.2	31.4	32.9	33	5.8	7.2	7.9
R04J-77PI/RH-Q	45.2	40.2	16.1	27.5	29	29.1	6.8	8.3	9.1
R04J-100PI/RH-Q	61.1	52.4	16.1	35	36.6	36.6 / 36.65	6.8	8.2	9.1

Remark: All dimensions are in mm.

## R04JC Series Crimping Connectors - Extended Type Q

- Sn-P Bronze Outer Shell, Nickel Plating
- The Flange is Widened
- Same as R04J-9~100RH-Q, Please See The Datasheet on Page 7
- Contacts: R04JC-9, 15, 21, 31, 37, 51, 66, 74, 100RH-Q
- With A Rubber Cushion, Thickness:1mm

## R04J Series Crimping Connectors - Extended Type Q8

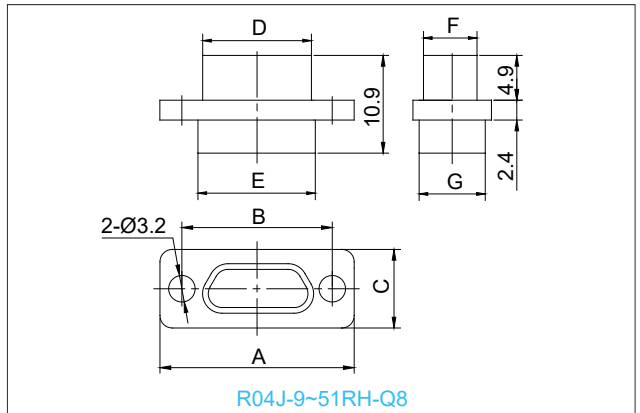
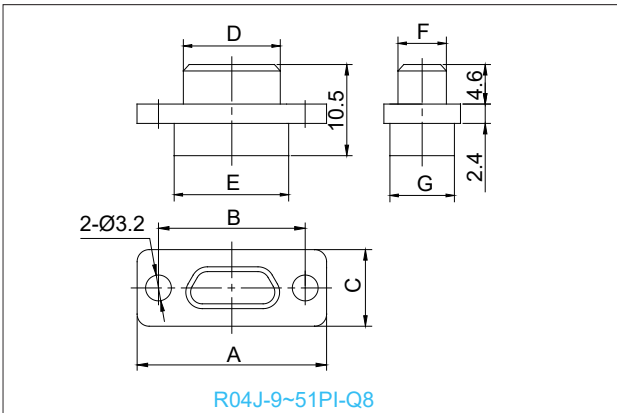


Plug:PI-Q8

Receptacle:RH-Q8

- The Sizes of Flange and Assembly Hole are Enlarged
- **Contacts:**  
R04J- 9, 15, 21, 25, 31, 37, 51, 66, 74, 100PI/RH-Q8

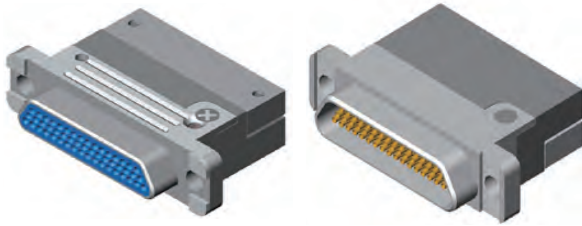
### Outline Dimensions



Part Number	A	B	C	D		E	F		G
				PI-Q8	RH-Q8		PI-Q8	RH-Q8	
R04J-9PI/RH-Q8	21.4	16.1	11.6	8.3	9.8	11.7	4.7	6.1	6.8
R04J-15PI/RH-Q8	25.3	20	11.6	12.3	13.7	15.6	4.7	6.1	6.8
R04J-21PI/RH-Q8	29.2	23.8	11.6	16	17.4	19.4	4.7	6.1	6.8
R04J-25PI/RH-Q8	31.6	26.3	11.6	18.6	20	22	4.7	6.1	6.8
R04J-31PI/RH-Q8	35.4	30.1	11.6	22.4	23.8	25.8	4.7	6.1	6.8
R04J-37PI/RH-Q8	39.2	34	11.6	26.3	27.7	29.6	4.7	6.1	6.8
R04J-51PI/RH-Q8	38.2	32.6	12.6	25	26.5	28.4	5.8	7.2	7.9
R04J-66PI/RH-Q8									
R04J-74PI/RH-Q8									
R04J-100PI/RH-Q8									

Remark: All dimensions are in mm.

## R04J Series Crimping Connectors - Extended Type A1D

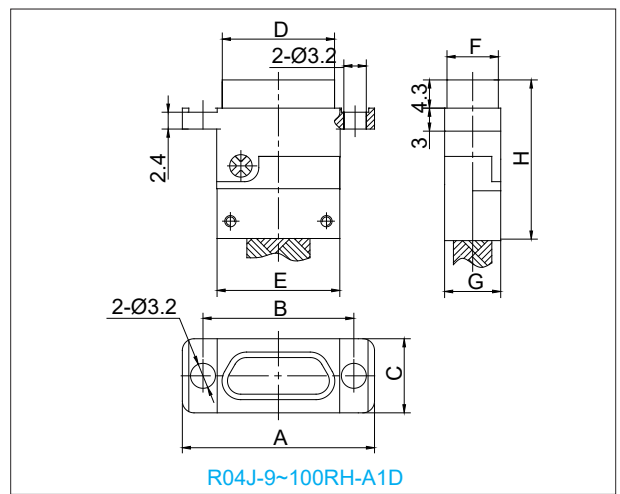
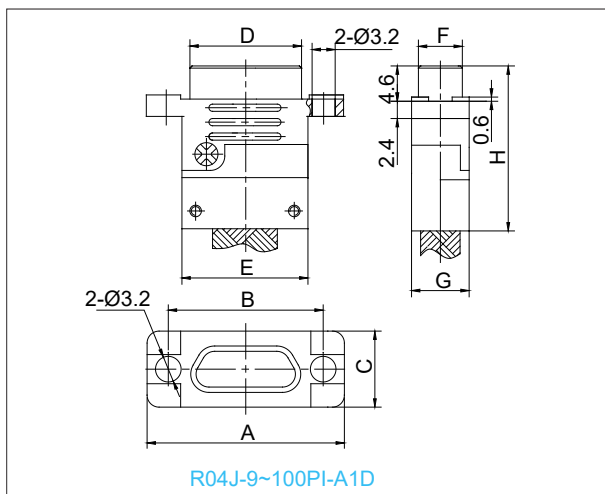


Plug:PI-A1D

Receptacle:RH-A1D

- With Anti-Rotation Slots on The Flange
- With Shielded Cable Clamp on The Tail of Outer Shell
- **Contacts:**  
R04J- 9, 15, 21, 25, 31, 37, 51, 66, 74, 100PI/RH-A1D

### Outline Dimensions



Part Number	A	B	D		E	F		G	H	
			PI-A1D	RH-A1D		PI-A1D	RH-A1D		PI-A1D	RH-A1D
R04J-9PI/RH-A1D	19.6	14.3	8.3	9.8	9.9	4.7	6.1	8	23	23.5
R04J-15PI/RH-A1D	23.5	18.2	12.3	13.7	13.8	4.7	6.1	8	23	23.5
R04J-21PI/RH-A1D	27.4	22	16	17.4	17.6	4.7	6.1	8	23	23.5
R04J-25PI/RH-A1D	29.8	24.5	18.6	20	20.2	4.7	6.1	8	23	23.5
R04J-31PI/RH-A1D	33.6	28.3	22.4	23.8	24	4.7	6.1	8	23	23.5
R04J-37PI/RH-A1D	37.4	32.2	26.3	27.7	27.8	4.7	6.1	8	23	23.5
R04J-51PI/RH-A1D	36.4	30.86	25	26.5	26.6	5.8	7.2	9	23	23.5
R04J-66PI/RH-A1D	42.9	37.3	31.4	32.9	33	5.8	7.2	9	23	23.5
R04J-74PI/RH-A1D	38.8	33.5	27.5	29	29.1	6.8	8.3	11	25	25.5
R04J-100PI/RH-A1D	54.7	45.7	35	36.6	36.8	6.8	8.2	11	25	25.5

Remark: All dimensions are in mm.

## R04J Series Crimping Connectors Basic Type A1/GA1



Plug:PI-A1



Receptacle:RH-A1

■ With Shielded Cable Clamp on The Tail of Outer Shell

■ **Shell Plating:** Nickel

■ **Contacts:**

R04J- 9, 15, 21, 25, 31, 37, 51, 66, 74, 100PI/RH-A1



Plug:PI-GA1



Receptacle:RH-GA1

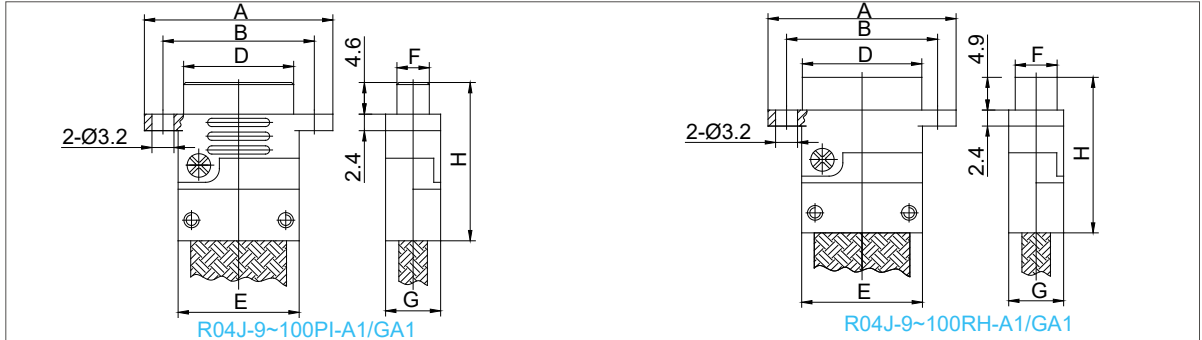
■ With Shielded Cable Clamp on The Tail of Outer Shell

■ **Shell Plating:** Cadmium

■ **Contacts:**

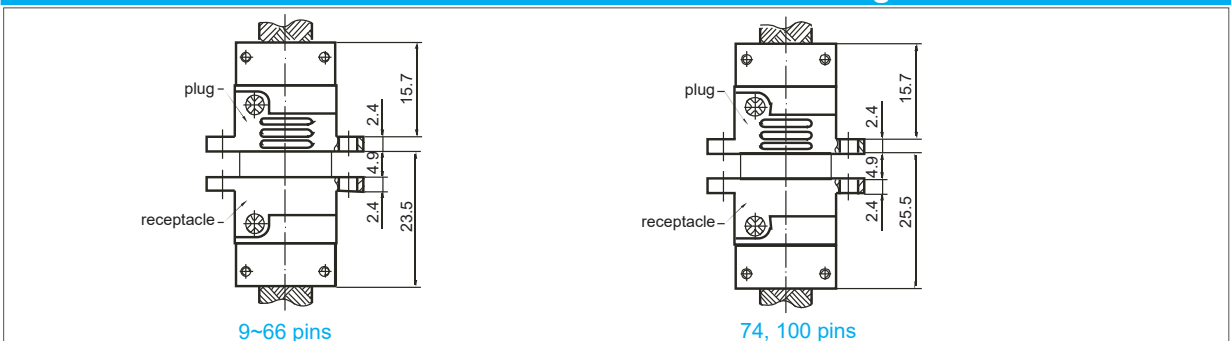
R04J- 9, 15, 21, 25, 31, 37, 51, 66, 74, 100PI/RH-GA1

## Outline Dimensions



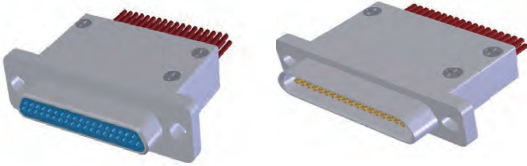
Part Number	A	B	D		E	F		G	H	
			PI	RH		PI	RH		PI	RH
R04J-9PI/RH-A1/GA1	19.6	14.3	8.3	9.8	9.9	4.7	6.1	8	23	23.5
R04J-15PI/RH-A1/GA1	23.5	18.2	12.3	13.7	13.8	4.7	6.1	8	23	23.5
R04J-21PI/RH-A1/GA1	27.4	22	16	17.4	17.6	4.7	6.1	8	23	23.5
R04J-25PI/RH-A1/GA1	29.8	24.5	18.6	20	20.2	4.7	6.1	8	23	23.5
R04J-31PI/RH-A1/GA1	33.6	28.3	22.4	23.8	24	4.7	6.1	8	23	23.5
R04J-37PI/RH-A1/GA1	37.4	32.2	26.3	27.7	27.8	4.7	6.1	8	23	23.5
R04J-51PI/RH-A1/GA1	36.4	30.86	25	26.5	26.6	5.8	7.2	9	23	23.5
R04J-66PI/RH-A1/GA1	42.9	37.3	31.4	32.9	33	5.8	7.2	9	23	23.5
R04J-74PI/RH-A1/GA1	38.8	33.5	27.5	29	29.1	6.8	8.3	11	25	25.5
R04J-100PI/RH-A1/GA1	54.7	45.7	35	36.6	36.8	6.8	8.2	11	25	25.5

## Outline Dimensions After Mating



Remark: All dimensions are in mm.

## R04J Series Crimping Connectors - Extended Type A1(9.6)

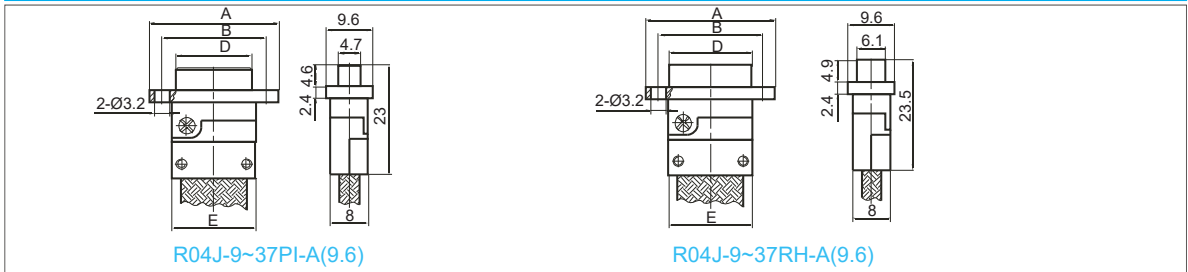


Plug:PI-A1(9.6)

Receptacle:RH-A1(9.6)

- The Width of Flange is 9.6mm
- With Shielded Cable Clamp on The Tail of Outer Shell
- **Contacts:**  
R04J- 9, 15, 21, 25, 31, 37PI/RH-A1(9.6)

### Outline Dimensions



R04J-9~37PI-A(9.6)

R04J-9~37RH-A(9.6)

Part Number	A	B	D		E
			PI-A1(9.6)	RH-A1(9.6)	
R04J-9PI/RH-A1(9.6)	19.6	14.3	8.3	9.8	9.9
R04J-15PI/RH-A1(9.6)	23.5	18.2	12.3	13.7	13.8
R04J-21PI/RH-A1(9.6)	27.4	22	16	17.4	17.6
R04J-25PI/RH-A1(9.6)	29.8	24.5	18.6	20	20.2
R04J-31PI/RH-A1(9.6)	33.6	28.3	22.4	23.8	24
R04J-37PI/RH-A1(9.6)	37.4	32.2	26.3	27.7	27.8

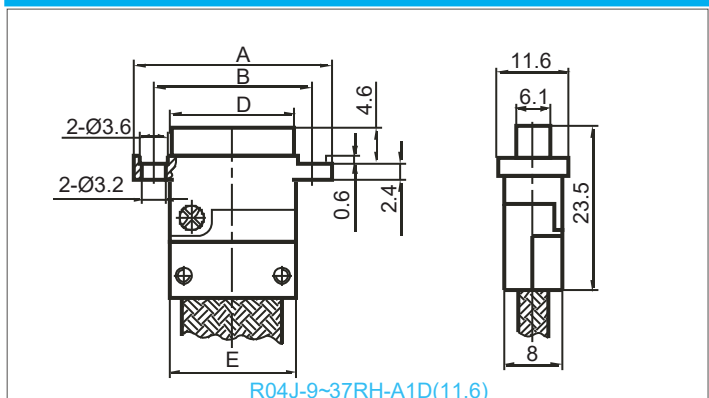
## R04J Series Crimping Connectors - Extended Type A1D(11.6)



Receptacle:RH-A1D(11.6)

- The Width of Flange is 11.6mm
- With Shielded Cable Clamp on The Tail of Outer Shell
- With Anti-Rotation Slots on The Flange
- **Contacts:**  
R04J- 9, 15, 21, 25, 31, 37PI/RH-A1D(11.6)

### Outline Dimensions

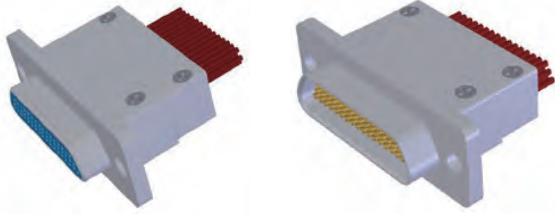


R04J-9~37RH-A1D(11.6)

Part Number	A	B	D		E
			PI-A1D(11.6)	RH-A1D(11.6)	
R04J-9RH-A1D(11.6)	19.6	14.3	9.8	9.9	9.9
R04J-15RH-A1D(11.6)	23.5	18.2	13.7	13.8	13.8
R04J-21RH-A1D(11.6)	27.4	22	17.4	17.6	17.6
R04J-25RH-A1D(11.6)	29.8	24.5	20	20.2	20.2
R04J-31RH-A1D(11.6)	33.6	28.3	23.8	24	24
R04J-37RH-A1D(11.6)	37.4	32.2	27.7	27.8	27.8

Remark: All dimensions are in mm.

## R04J Series Crimping Connectors - Extended Type A2Q8

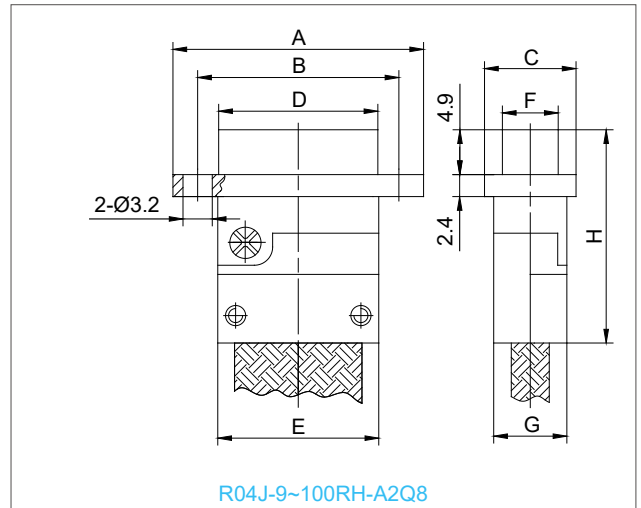
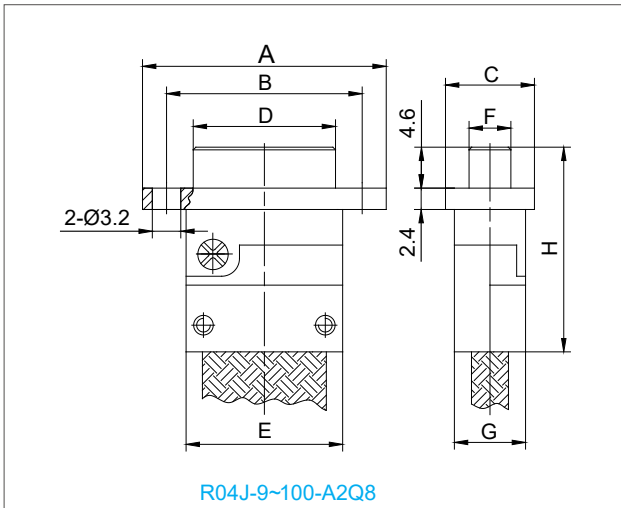


Plug:PI-A2Q8

Receptacle:RH-A2Q8

- The Flange Size And Assembly Hole Size are Enlarged From R04J-9~100PI/RH-A1
- With Shielded Cable Clamp on The Tail of Outer Shell
- **Contacts:**  
R04J- 9, 15, 21, 25, 31, 37, 51, 74, 100PI/RH-A2Q8

### Outline Dimensions

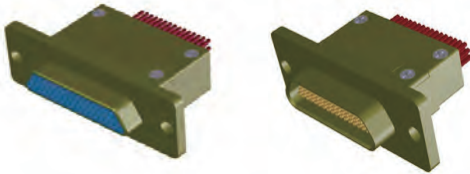


Part Number	A	B	C	D		E	F		G	H	
				PI-A2Q8	RH-A2Q8		PI-A2Q8	RH-A2Q8		PI-A2Q8	RH-A2Q8
R04J-9PI/RH-A2Q8	21.4	16.1	11.6	8.3	9.8	9.9	4.7	6.1	8	23	23.5
R04J-15PI/RH-A2Q8	25.3	20	11.6	12.3	13.7	13.8	4.7	6.1	8	23	23.5
R04J-21PI/RH-A2Q8	29.2	23.8	11.6	16	17.4	17.6	4.7	6.1	8	23	23.5
R04J-25PI/RH-A2Q8	31.6	26.3	11.6	18.6	20	20.2	4.7	6.1	8	23	23.5
R04J-31PI/RH-A2Q8	35.4	30.1	11.6	22.4	23.8	24	4.7	6.1	8	23	23.5
R04J-37PI/RH-A2Q8	39.2	34	11.6	26.3	27.7	27.8	4.7	6.1	8	23	23.5
R04J-51PI/RH-A2Q8	38.2	32.6	12.6	25	26.5	26.6	5.8	7.2	9	23	23.5
R04J-74PI/RH-A2Q8	40.6	37.1	13.8	27.5	29	29.1	6.8	8.3	11	25	25.5
R04J-100PI/RH-A2Q8	56.5	49.3	13.8	35	36.6	36.8	6.8	8.2	11	25	25.5

Remark: All dimensions are in mm.



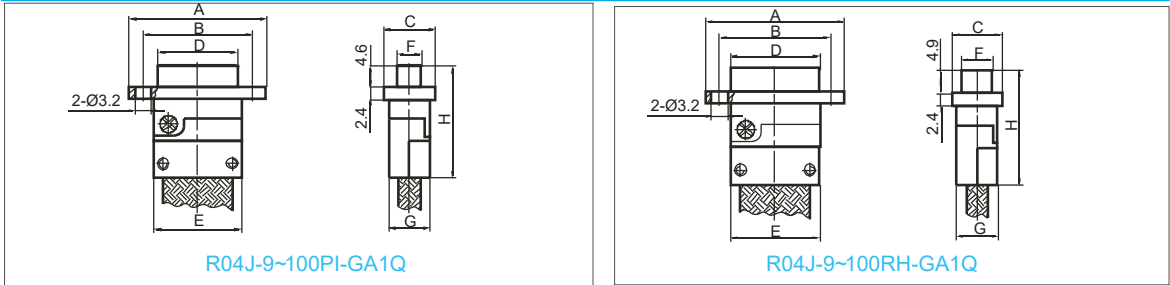
## R04J Series Crimping Connectors - Extended Type GA1Q



- **Shell Plating:** Cadmium
- With Shielded Cable Clamp on The Tail of Outer Shell
- The Flange is Widened
- **Contacts:**

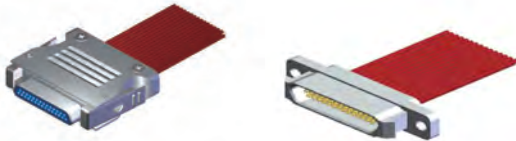
Plug:PI-GA1Q      Receptacle:RH-GA1Q      R04J- 9, 15, 21, 25, 31, 37, 51,66, 74, 100PI/RH-GA1Q

### Outline Dimensions



Part Number	A	B	C	D		E	F		G	H	
				PI	RH		PI	RH		PI	RH
R04J-9PI/RH-GA1Q	26	21	14	8.3	9.8	9.9	4.7	6.1	8	23	23.5
R04J-15PI/RH-GA1Q	29.9	24.9	14	12.3	13.7	13.8	4.7	6.1	8	23	23.5
R04J-21PI/RH-GA1Q	33.8	28.7	14	16	17.4	17.6	4.7	6.1	8	23	23.5
R04J-25PI/RH-GA1Q	36.2	31.2	14	18.6	20	20.2	4.7	6.1	8	23	23.5
R04J-31PI/RH-GA1Q	40	35	14	22.4	23.8	24	4.7	6.1	8	23	23.5
R04J-37PI/RH-GA1Q	43.8	38.9	14	26.3	27.7	27.8	4.7	6.1	8	23	23.5
R04J-51PI/RH-GA1Q	42.6	37.6	15.2	25	26.5	26.6	5.8	7.2	9	23	23.5
R04J-66PI/RH-GA1Q	49.3	44	15.2	31.4	32.9	33	5.8	7.2	9	23	23.5
R04J-74PI/RH-GA1Q	45.2	40.2	16.1	27.5	29	29.1	6.8	8.3	11	25	25.5
R04J-100PI/RH-GA1Q	61.1	52.4	16.1	35	36.6	36.8	6.8	8.2	11	25	25.5

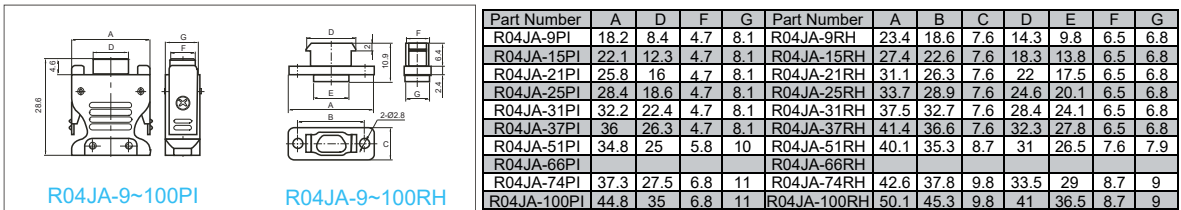
## R04J Series Crimping Connectors - Fast Lock Type R04JA



- With Fast Lock Function
  - **Termination Type:** Crimp Contact
  - **Contacts:**
- R04JA-9, 15, 21, 25, 31, 37, 51, 66, 74, 100PI/RH

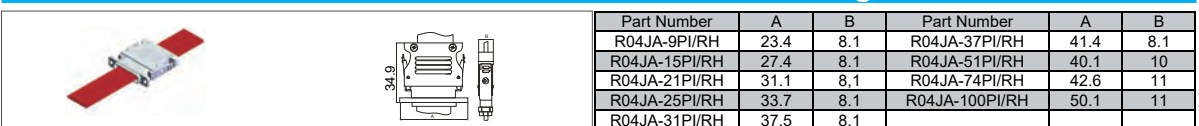
Plug: R04JA-PI      Receptacle: R04JA-RH

### Outline Dimensions



Part Number	A	D	F	G	Part Number	A	B	C	D	E	F	G
R04JA-9PI	18.2	8.4	4.7	8.1	R04JA-9RH	23.4	18.6	7.6	14.3	9.8	6.5	6.8
R04JA-15PI	22.1	12.3	4.7	8.1	R04JA-15RH	27.4	22.6	7.6	18.3	13.8	6.5	6.8
R04JA-21PI	25.8	16	4.7	8.1	R04JA-21RH	31.1	26.3	7.6	22	17.5	6.5	6.8
R04JA-25PI	28.4	18.6	4.7	8.1	R04JA-25RH	33.7	28.9	7.6	24.6	20.1	6.5	6.8
R04JA-31PI	32.2	22.4	4.7	8.1	R04JA-31RH	37.5	32.7	7.6	28.4	24.1	6.5	6.8
R04JA-37PI	36	26.3	4.7	8.1	R04JA-37RH	41.4	36.6	7.6	32.3	27.8	6.5	6.8
R04JA-51PI	34.8	25	5.8	10	R04JA-51RH	40.1	35.3	8.7	31	26.5	7.6	7.9
R04JA-66PI					R04JA-66RH							
R04JA-74PI	37.3	27.5	6.8	11	R04JA-74RH	42.6	37.8	9.8	33.5	29	8.7	9
R04JA-100PI	44.8	35	6.8	11	R04JA-100RH	50.1	45.3	9.8	41	36.5	8.7	9

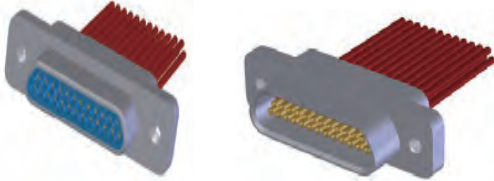
### Outline Dimensions After Mating



Part Number	A	B	Part Number	A	B
R04JA-9PI/RH	23.4	8.1	R04JA-37PI/RH	41.4	8.1
R04JA-15PI/RH	27.4	8.1	R04JA-51PI/RH	40.1	10
R04JA-21PI/RH	31.1	8.1	R04JA-74PI/RH	42.6	11
R04JA-25PI/RH	33.7	8.1	R04JA-100PI/RH	50.1	11
R04JA-31PI/RH	37.5	8.1			

Remark: All dimensions are in mm.

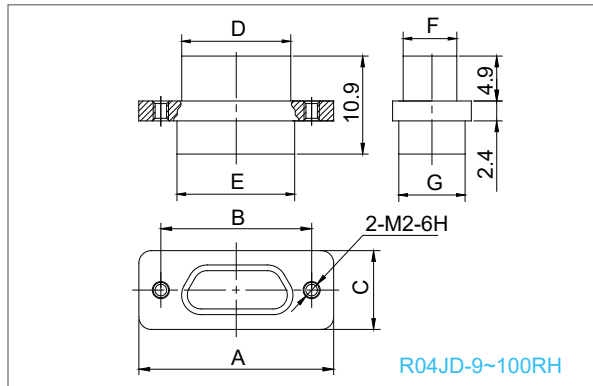
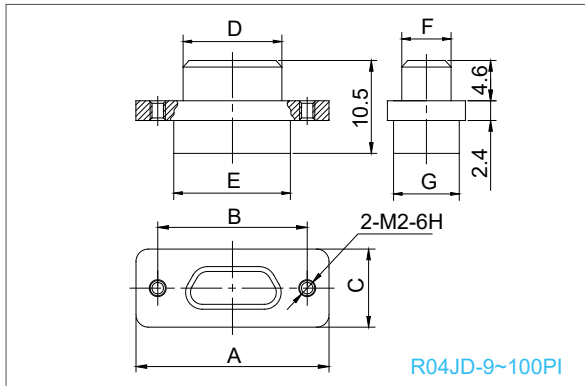
## R04J Series Crimping Connectors - Extended Type R04JD



Plug: R04JD-PI Receptacle: R04JD-RH

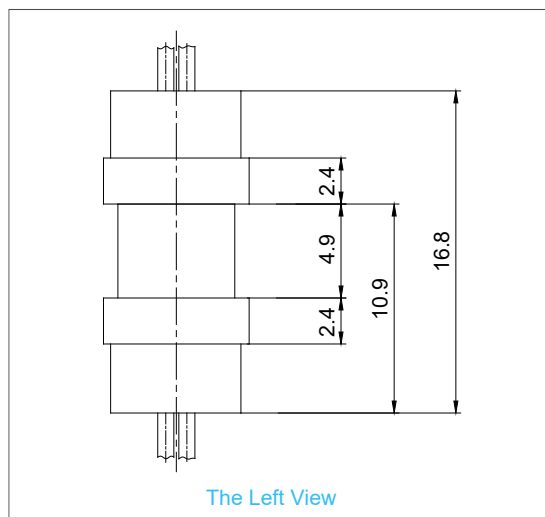
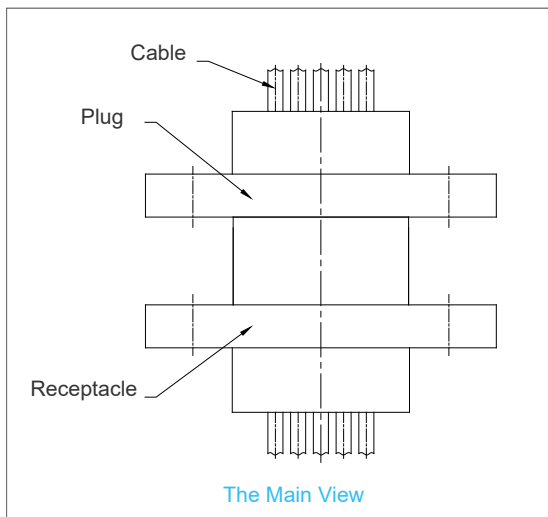
- The Assembly Hole is Threaded Hole: M2-6H
- Termination Type: Crimp Contact
- Contacts:  
R04JD-9, 15, 21, 25, 31, 37, 51, 66, 74, 100PI/RH

### Outline Dimensions



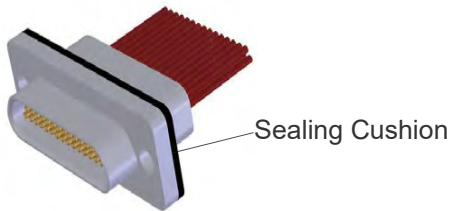
Part Number	A	B	C	D		E	F		G
				PI	RH		PI	RH	
R04JD-9PI/RH	19.6	14.3	7.6	8.3	9.8	9.9	4.7	6.1	6.8
R04JD-15PI/RH	23.5	18.2	7.6	12.3	13.7	13.8	4.7	6.1	6.8
R04JD-21PI/RH	27.4	22	7.6	16	17.4	17.6	4.7	6.1	6.8
R04JD-25PI/RH	29.8	24.5	7.6	18.6	20	20.2	4.7	6.1	6.8
R04JD-31PI/RH	33.6	28.3	7.6	22.4	23.8	24	4.7	6.1	6.8
R04JD-37PI/RH	37.4	32.2	7.6	26.3	27.7	27.8	4.7	6.1	6.8
R04JD-51PI/RH	36.4	30.86	8.7	25	26.5	26.6	5.8	7.2	7.9
R04JD-66PI/RH	42.9	37.3	8.7	31.4	32.9	33	5.8	7.2	7.9
R04JD-74PI/RH	38.8	33.5	9.7	27.5	29	29.1	6.8	8.3	9.1
R04JD-100PI/RH	54.7	45.7	9.7	35	36.6	36.6 / 36.65	6.8	8.2	9.1

### Outline Dimensions After Mating



Remark: All dimensions are in mm.

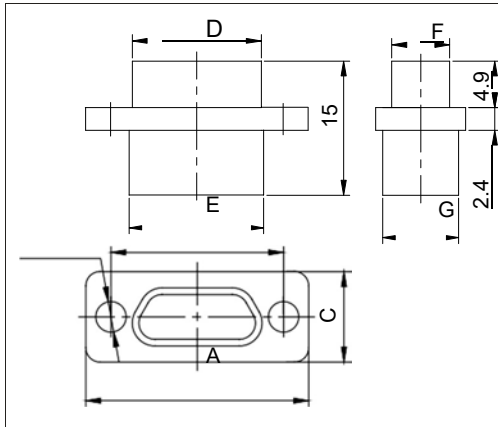
## R04J Series Crimping Connectors- Glue Sealing Type R04JS



Receptacle: R04JS-RH

- Glue Sealing
- With A Sealing Cushion, Thickness: 1mm
- **Termination Type:** Crimp Contact
- **The Air Leakage Rate:**  $5 \times 10^{-2} \text{Pa} \cdot \text{CM/s}^3$
- **Insulation Resistance:**  $\geq 2000 \text{M}\Omega$
- **Contacts:**  
R04JS-9, 15, 21, 25, 31, 37, 51, 66, 74, 100RH

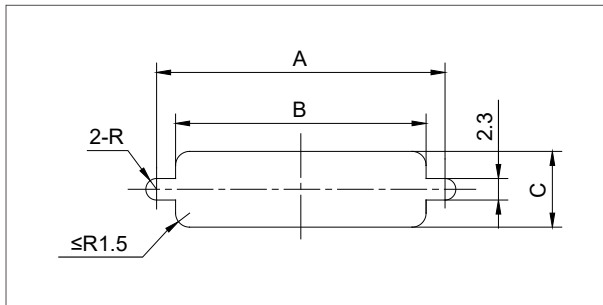
### Outline Dimensions



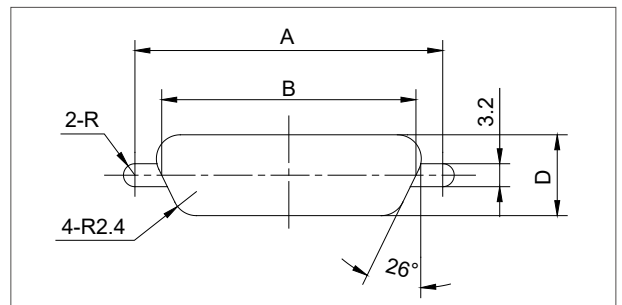
Part Number	A	B	C	D	E	F	G
R04JS-9RH	19.6	14.3	12	9.8	9.9	6.1	6.8
R04JS-15RH	23.5	18.2	12	13.7	13.8	6.1	6.8
R04JS-21RH	27.4	22	12	17.4	17.6	6.1	6.8
R04JS-25RH	29.8	24.5	12	20	20.2	6.1	6.8
R04JS-31RH	33.6	28.3	12	23.8	24	6.1	6.8
R04JS-37RH	37.4	32.2	12	27.7	27.8	6.1	6.8
R04JS-51RH	36.4	30.86	13	26.5	26.6	7.2	7.9
R04JS-66RH							
R04JS-74RH	38.8	33.5	14	29	29.1	8.3	9.1
R04JS-100RH	54.7	45.7	14	36.65	36.8	3.2	9.1

### R04J Series Crimping Connectors - Mounting Hole Dimensions

- **Suitable For Product:** R04J-\*PI/RH      R04J-\*PI/RH-D      R04J-\*PIG/RHG      R04J-\*PI/RH(9.6)  
R04J-\*PI/RH(11.6)      R04JC-\*PI/RH      R04J-\*RH



Mounting Hole Dimensions For Front Panel Mounting



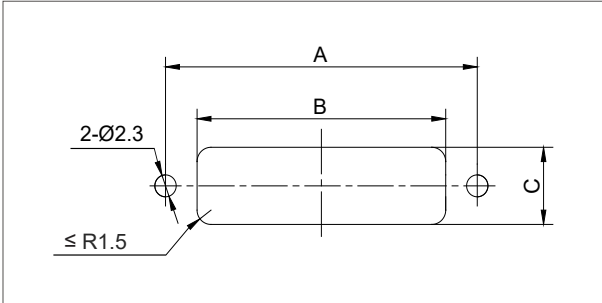
Mounting Hole Dimensions For Rear Panel Mounting

Pin Count	A	B	C	D	Pin Count	A	B	C	D
9	14.3	10.2	7	6.3	37	32.2	28.1	7	6.3
15	18.2	14.1	7	6.3	51	30.86	26.9	8.1	7.4
21	22	17.9	7	6.3	66	37.3	33.4	8.1	7.4
25	24.5	20.5	7	6.3	74	33.5	29.4	9.3	8.6
31	28.3	24.3	7	6.3	100	45.7	37	9.3	8.6

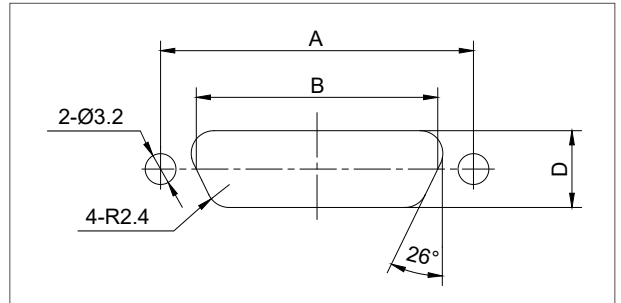
Remark: 1. R04JS is sealing product, we suggest using non-through threaded mounting hole for front panel mounting.  
2. All dimensions are in mm.

## R04J Series Crimping Connectors - Mounting Hole Dimensions

■ Suitable For Product: R04J-\*PI/RH-Q R04J-\*PI/RHG-Q R04JC-\*RH-Q



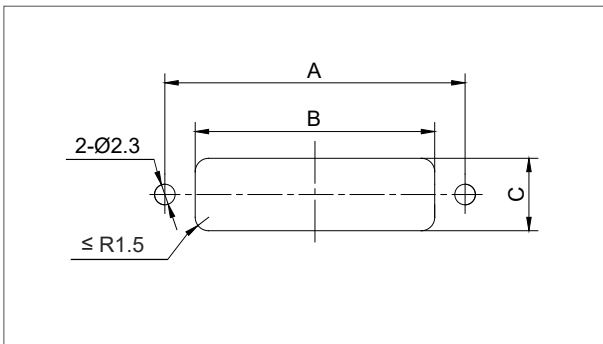
Mounting Hole Dimensions For Front Panel Mounting



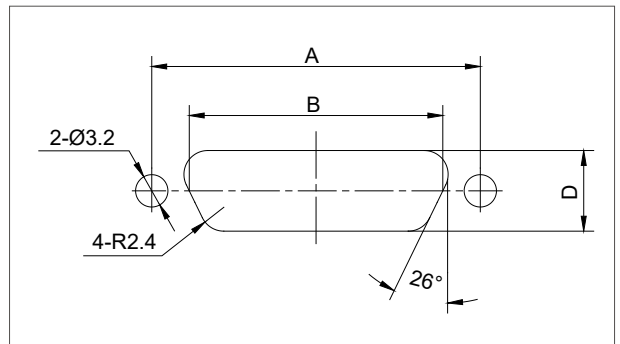
Mounting Hole Dimensions For Rear Panel Mounting

Pin Count	A	B	C	D	Pin Count	A	B	C	D
9	21	10.2	7	6.3	37	38.9	28.1	7	6.3
15	24.9	14.1	7	6.3	51	37.6	26.9	8.1	7.4
21	28.7	17.9	7	6.3	66	44	33.4	8.1	7.4
25	31.2	20.5	7	6.3	74	40.2	29.4	9.3	8.6
31	35	24.3	7	6.3	100	52.4	37	9.3	8.6

■ Suitable For Product: R04J-\*PI/RH-Q8



Mounting Hole Dimensions For Front Panel Mounting



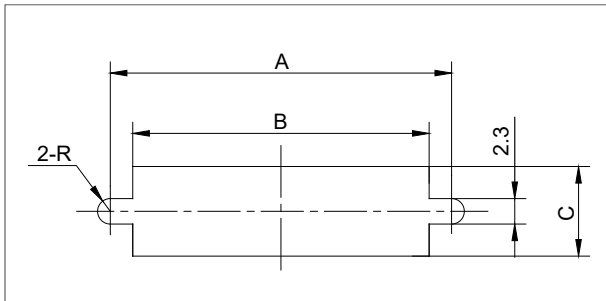
Mounting Hole Dimensions For Rear Panel Mounting

Pin Count	A	B	C	D	Pin Count	A	B	C	D
9	16.1	12	7	6.3	31	30.1	26.1	7	6.3
15	20	15.9	7	6.3	37	34	29.9	7	6.3
21	23.8	19.7	7	6.3	51	32.6	28.7	8.1	7.4
25	26.3	22.3	7	6.3					

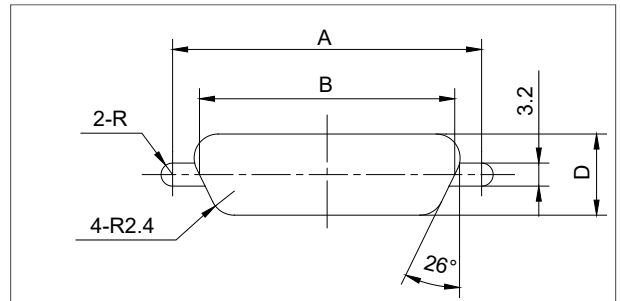
Remark: All dimensions are in mm.

## R04J Series Crimping Connectors - Mounting Hole Dimensions

- Suitable For Product: R04J-\*PI/RH-A1      R04J-\*PI/RH-A1D      R04J-\*PI/RHG-A1  
    R04J-\*PI/RH-A1(9.6)      R04J-\*PI/RHG-A1(11.6)      R04J-\*PI/RH-A1D(11.6)



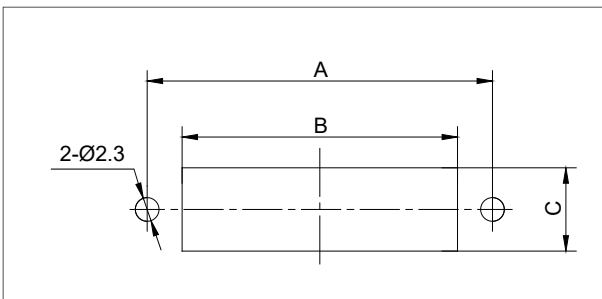
Mounting Hole Dimensions For Front Panel Mounting



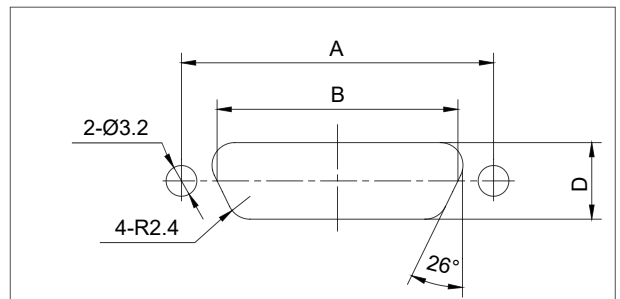
Mounting Hole Dimensions For Rear Panel Mounting

Pin Count	A	B	C	D	Pin Count	A	B	C	D
9	14.3	10.2	8.2	6.3	37	32.2	28.1	8.2	6.3
15	18.2	14.1	8.2	6.3	51	30.86	26.9	9.2	7.4
21	22	17.9	8.2	6.3	66	37.3	33.4	9.2	7.4
25	24.5	20.5	8.2	6.3	74	33.5	29.4	11.2	8.6
31	28.3	24.3	8.2	6.3	100	45.7	37	11.2	8.6

- Suitable For Product: R04J-\*PI/RH-A2Q8



Mounting Hole Dimensions For Front Panel Mounting



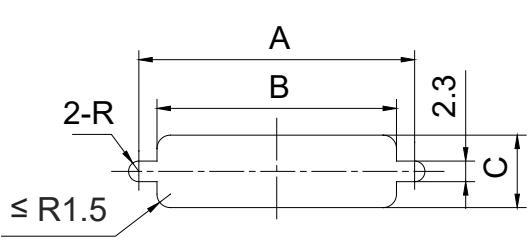
Mounting Hole Dimensions For Rear Panel Mounting

Pin Count	A	B	C	D	Pin Count	A	B	C	D
9	16.1	10.2	8.2	6.3	31	30.1	24.3	8.2	6.3
15	20	14.1	8.2	6.3	37	34	28.1	8.2	6.3
21	23.8	17.9	8.2	6.3	51	32.6	26.9	9.2	7.4
25	26.3	20.5	8.2	6.3					

Remark: All dimensions are in mm.

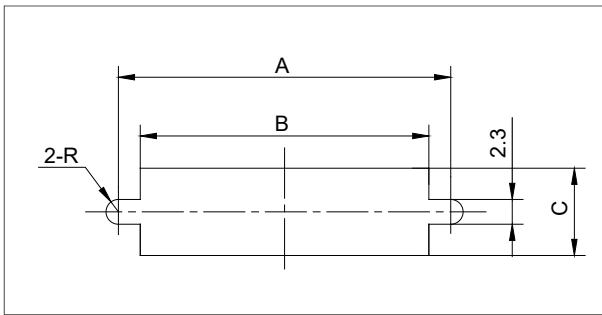
## R04J Series Crimping Connectors - Mounting Hole Dimensions

### ■ Suitable For Product: R04JA-\*RH

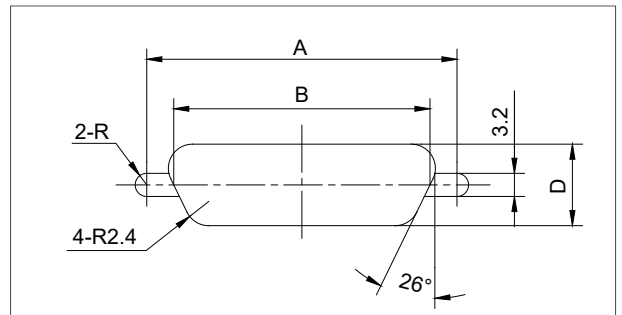
	Pin Count	A	B	C	Pin Count	A	B	C
		9	18.6	10.2	7	37	36.6	28.1
	15	22.6	14.1	7	51	35.3	26.9	8.1
	21	26.3	17.9	7	74	37.8	29.4	9.3
	25	28.9	20.5	7	100	45.3	37	9.3
	31	32.7	24.3	7				

Mounting Hole Dimensions For Front Panel Mounting

### ■ Suitable For Product: R04J-\*PI/RH-C



Mounting Hole Dimensions For Front Panel Mounting



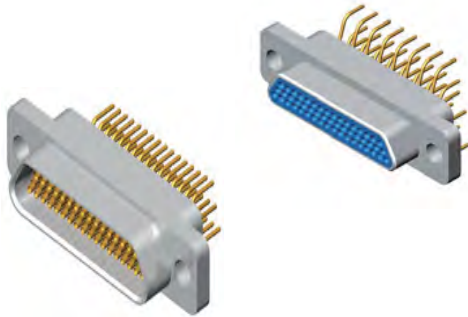
Mounting Hole Dimensions For Rear Panel Mounting

Pin Count	A	B	C	D	Pin Count	A	B	C	D
9	14.3	10.2	8.2	6.3	37	32.2	28.1	8.2	6.3
15	18.2	14.1	8.2	6.3	51	30.86	26.9	9.3	7.4
21	22	17.9	8.2	6.3	66	37.3	33.4	9.3	7.4
25	24.5	20.5	8.2	6.3	74	33.5	29.4	10.3	8.6
31	28.3	24.3	8.2	6.3	100	45.7	37	10.3	8.6

Remark: All dimensions are in mm.

# MIL-DTL-83513 Micro-D Connectors

## R04J Series Straight to PCB Connectors



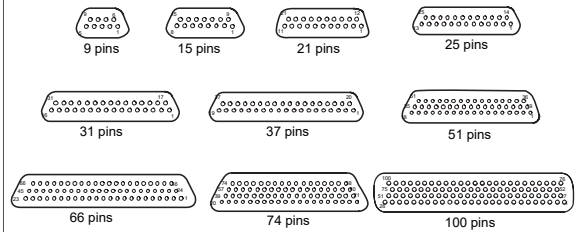
### Brief Introduction

- Micro-D Connectors
- Twist Pin Contacts, High Density
- Metal Shell, Nickel or Cadmium Plating
- Straight to PCB Connectors
- Meets MIL-DTL-83513

### Specifications

- Environment Temperature: -55°C~+125°C
- Vibration: 10Hz~2000Hz, 196m/s<sup>2</sup>
- Random Vibration: Power spectrum density 0.4G<sup>2</sup>/Hz  
root mean square value of total acceleration 23.1G
- Shock: 735m/s<sup>2</sup> 11sm
- Rated Current: 3A
- Contact Resistance: ≤10mΩ
- Insulation Resistance: ≥5000MΩ
- Dielectric Strength: 800V
- Durability: 500 times

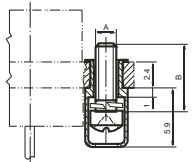
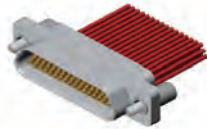
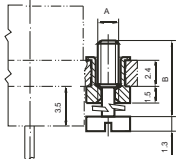
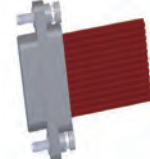
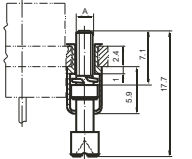
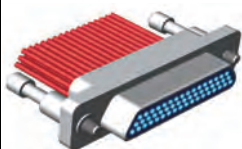
### Contact Arrangements



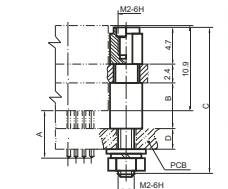

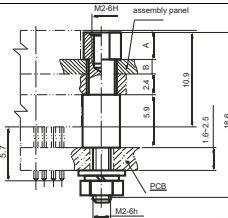

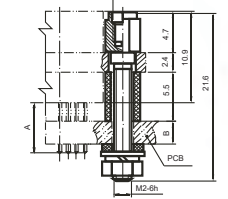

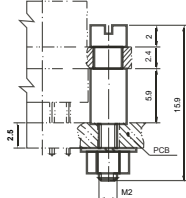
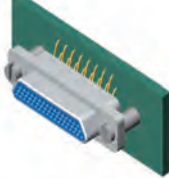
### How To Order

<b>Sample Part Number</b>	<b>R04J</b>	<b>-25</b>	<b>PI</b>	<b>S</b>	<b>4</b>	<b>Q5</b>	<b>G</b>	<b>-J</b>
<b>Series:</b>	R04J—Standard Type R04JA—Fast Lock Type							
<b>Contact Number:</b>	9, 15, 21, 25, 31, 37, 51, 66, 74, 100pins							
<b>Contact Type :</b>	PI—Pin in Plug      RH—Socket in Receptacle							
<b>Tail Termination Type:</b>	S—Straight to PCB							
<b>Tail Length :</b>	3—6.7mm      4—7.2mm 8—8mm      No Code—Standard Type							
<b>Locking Hardware Type:</b>	Q5—Locking Hardware Type (See page 20)      No Code—No Locking Hardware							
<b>Shell Material and Finish :</b>	G—Aluminum Shell, Cadmium Plating      No Code—Aluminum Shell, Nickel Plating							
<b>PCB Layout :</b>	J—1.27*2.54mm      No Code—2.54*2.54mm							

Free End Locking Hardware For R04J Series Straight To PCB Connectors

Type	A	B	Outline Dimensions	Assembly Picture	Matched with Locking Hardware
W	M2-6h	7.1			Q, Q0, Q2, Q3, Q4, Q5, Q7, Q8, Q9, Q10, Q11, Q14, Q15, Q17, Q23, Q25, Q29, Q32, Q35, Q36, Q37, Q41, Q42, Q43, Q45, Q46
W8	#2-56UNC-2A	7.1			Q1
W7	M2-6h	7.1			Q, Q0, Q2, Q3, Q4, Q5, Q7, Q8, Q9, Q10, Q11, Q14, Q15, Q17, Q23, Q25, Q29, Q32, Q35, Q36, Q37, Q41, Q42, Q43, Q45, Q46
N	M2-6h				Q, Q0, Q2, Q3, Q4, Q5, Q7, Q8, Q9, Q10, Q11, Q14, Q15, Q17, Q23, Q25, Q29, Q32, Q35, Q36, Q37, Q41, Q42, Q43, Q45, Q46
N1	#2-56UNC-2A				Q1

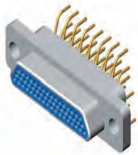
Fixed End Locking Hardware For R04J Series Straight To PCB Connectors

Type	A	B	C	PCB Thickness	Outline Dimensions	Assembly Picture	Matched with Locking Hardware
Q5	5.7	5.9	18.6	1.6~2.5			W, W7, W9, N Note: Use with front panel mounting straight to PCB connectors
Q10	8	8.4	20.5	1.6~2.5			
Q25	5.7	5.9	20.5	1.6~2.5			
	8	5.9	20.5	1.6~2.5			
Q23	5.7	5.9	17.8	1.6			
Q32	2.7	2		1.6~2.5			W, W7, W9, N Note: Use with rear panel mounting straight to PCB connectors
Q41	3.2	1.5		1.6~2.5			
Q17	5.7			1.6~3			W, W7, W9, N
	7.2			1.6~4.5			
V				≤2.5			Note: No need to lock with free end locking hardware

Remark: 1. Fixed end locking hardware apply to fix the connectors on the mounting panels or the PCB. Most fixed end locking hardware can be mated with free end locking hardware, but a little can not. (eg. V)  
2. All dimensions are in mm.



## R04J Series Straight To PCB Connectors - Basic Type



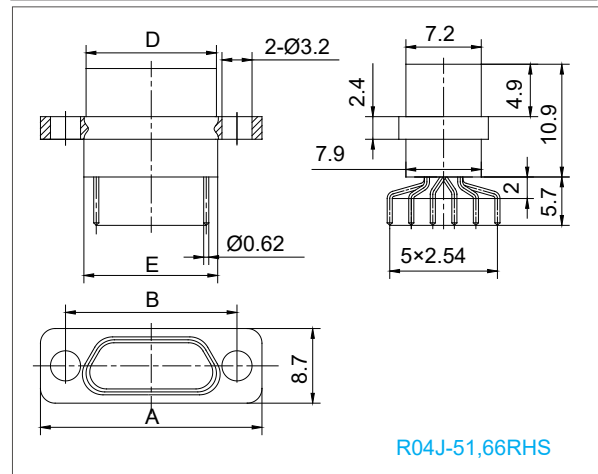
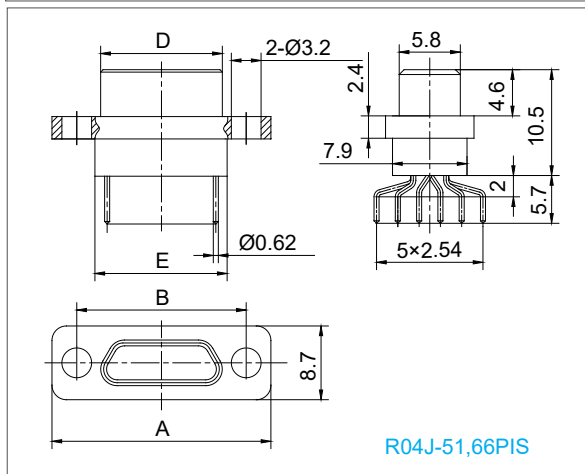
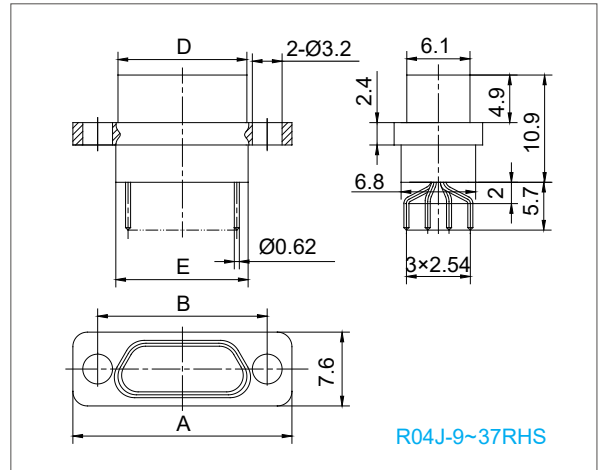
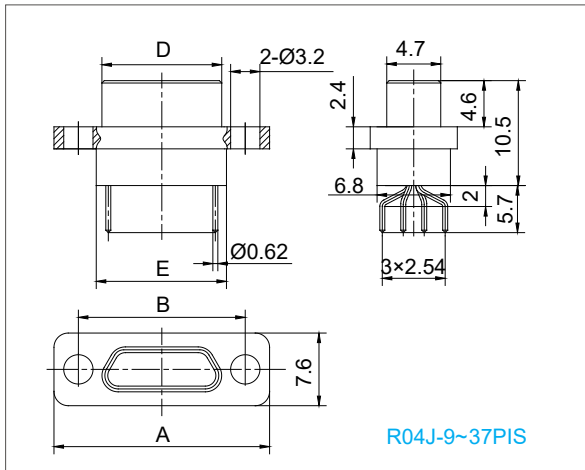
Plug:PIS



Receptacle:RHS

- **Shell Plating:** Nickel or Cadmium
- **PCB Layout:** 2.54\*2.54mm
- **Contacts:**  
R04J- 9, 15, 21, 25, 31, 37, 51, 66PIS/RHS

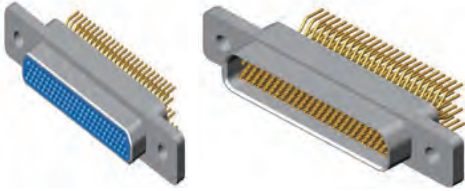
### Outline Dimensions



Part Number	A	B	D		E
			PIS	RHS	
R04J-9PIS/RHS	19.6	14.3	8.3	9.8	9.9
R04J-15PIS/RHS	23.5	18.2	12.3	13.7	13.8
R04J-21PIS/RHS	27.4	22	16	17.4	17.6
R04J-25PIS/RHS	29.8	24.5	18.6	20	20.2
R04J-31PIS/RHS	33.6	28.3	22.4	23.8	24
R04J-37PIS/RHS	37.4	32.2	26.3	27.7	27.8
R04J-51PIS/RHS	36.4	30.86	25	26.5	26.6
R04J-66PIS/RHS	42.9	37.3	31.4	32.9	33

Remark: All dimensions are in mm.

## R04J Series Straight To PCB Connectors - Type J

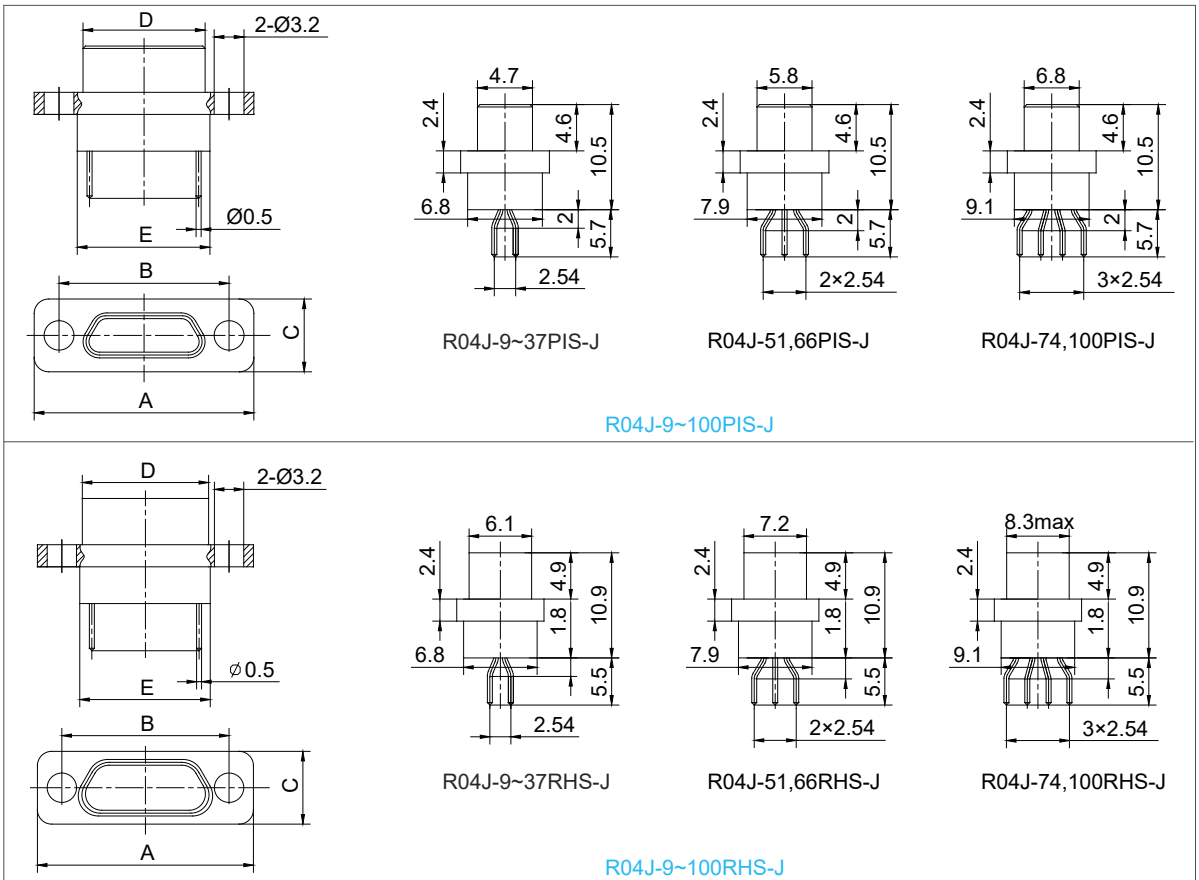


Plug:PIS-J

Receptacle:RHS-J

- **Shell Plating:** Nickel or Cadmium
- **PCB Layout:** 1.27\*2.54mm
- **Contacts:**  
R04J- 9, 15, 21, 25, 31, 37, 51, 66, 74, 100PI/RHS-J

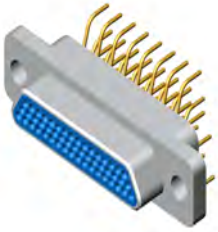
### Outline Dimensions



Part number	A	B	C	D		E
				PIS-J	RHS-J	
R04J-9PI/RHS-J	19.6	14.3	7.6	8.3	9.8	9.9
R04J-15PI/RHS-J	23.5	18.2	7.6	12.3	13.7	13.8
R04J-21PI/RHS-J	27.4	22	7.6	16	17.4	17.6
R04J-25PI/RHS-J	29.8	24.5	7.6	18.6	20	20.2
R04J-31PI/RHS-J	33.6	28.3	7.6	22.4	23.8	24
R04J-37PI/RHS-J	37.4	32.2	7.6	26.3	27.7	27.8
R04J-51PI/RHS-J	36.4	30.86	8.7	25	26.5	26.6
R04J-66PI/RHS-J	42.9	37.3	8.7	31.4	32.9	33
R04J-74PI/RHS-J	38.8	33.5	9.7	27.5	29	29.1
R04J-100PI/RHS-J	54.7	45.7	9.7	35	36.6	36.6

Remark: All dimensions are in mm.

## R04J Series Straight To PCB Connectors Basic Type--PCB Tail Length



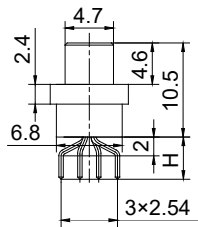
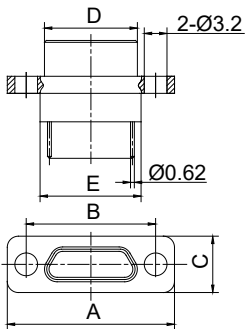
Plug: PIS3/S4/S8



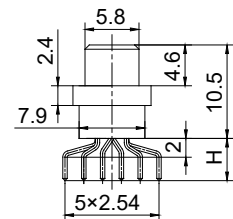
Receptacle: RHS3/S4/S8

- **Shell Plating:** Nickel or Cadmium
- **PCB Layout:** 2.54\*2.54mm
- **Contacts:**  
R04J- 9, 15, 21, 25, 31, 37, 51PIS4/S8  
R04J- 9, 15, 21, 25, 31, 37, 51RHS3/S4
- **PCB Tail Length:** 6.7mm, 7.2mm, 8mm

### Outline Dimensions

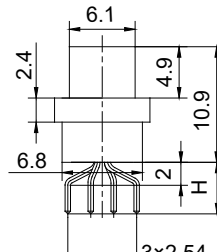
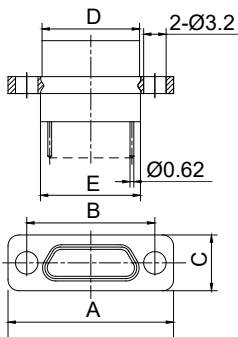


R04J-9~37PIS4/S8

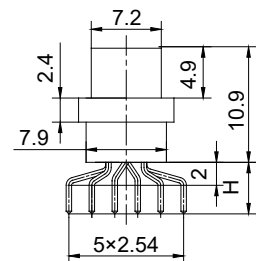


R04J-51PIS4/S8

R04J-9~51PIS4/S8



R04J-9~37RHS3/S4



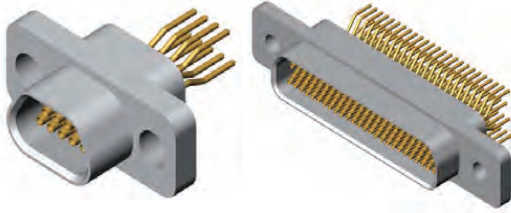
R04J-51RHS3/S4

R04J-9~51RHS3/S4

Pin Count	A	B	C	D	E	H		
						S3	S4	S8
9	19.6	14.3	7.6	8.3	9.9	6.7	7.2	8
15	23.5	18.2	7.6	12.3	13.8	6.7	7.2	8
21	27.4	22	7.6	16	17.6	6.7	7.2	8
25	29.8	24.5	7.6	18.6	20.2	6.7	7.2	8
31	33.6	28.3	7.6	22.4	24	6.7	7.2	8
37	37.4	32.2	7.6	26.3	27.8	6.7	7.2	8
51	36.4	30.86	8.7	25	26.6	6.7	7.2	Without

Remark: All dimensions are in mm.

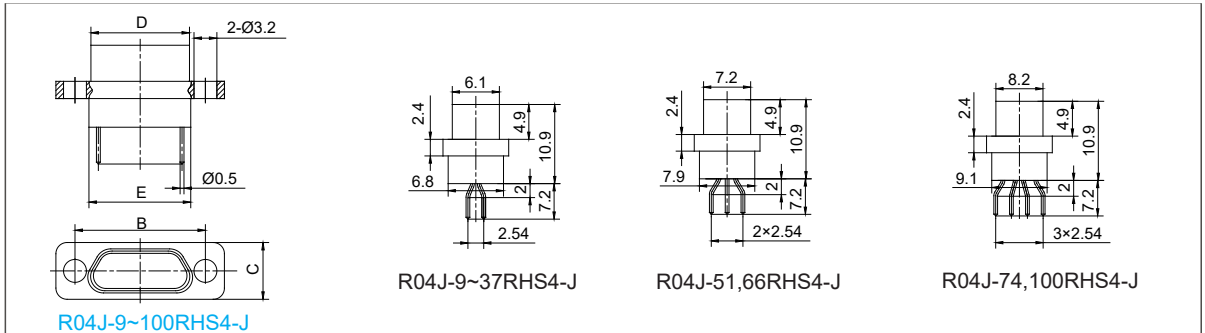
## R04J Series Straight To PCB Connectors Type J--PCB Tail Length



Receptacle: RHS4-J

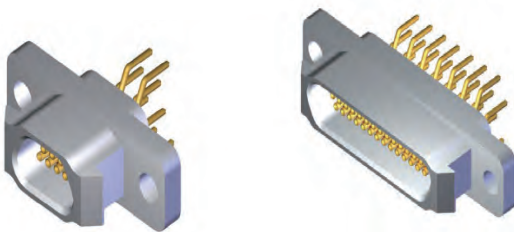
- **Shell Plating:** Nickel or Cadmium
- **PCB Layout:** 1.27\*2.54mm
- **PCB Tail Length:** 7.2mm
- Receptacle Connectors
- **Contact:**  
R04J-9, 15, 21, 25, 31, 37, 51, 66, 74, 100RHS4-J

### Outline Dimensions



Part Number	A	B	C	D	E
R04J-9RHS4-J	19.6	14.3	7.6	9.8	9.9
R04J-15RHS4-J	23.5	18.2	7.6	13.7	13.8
R04J-21RHS4-J	27.4	22	7.6	17.4	17.6
R04J-25RHS4-J	29.8	24.5	7.6	20	20.2
R04J-31RHS4-J	33.6	28.3	7.6	23.8	24
R04J-37RHS4-J	37.4	32.2	7.6	27.7	27.8
R04J-51RHS4-J	36.4	30.86	8.7	26.5	26.6
R04J-66RHS4-J	42.9	37.3	8.7	32.9	33
R04J-74RHS4-J	38.8	33.5	9.7	29	29.1
R04J-100RHS4-J	54.7	45.7	9.7	36.6	36.6

## R04J Series Straight To PCB Connectors - Fast Lock Type R04JA



- **Shell Plating:** Nickel or Cadmium
- **PCB Layout:** 2.54\*2.54mm
- With Fast Lock Function
- Receptacle Connectors
- **Contacts:**  
R04JA- 9, 15, 21, 25, 31, 37, 51RHS

### Outline Dimensions



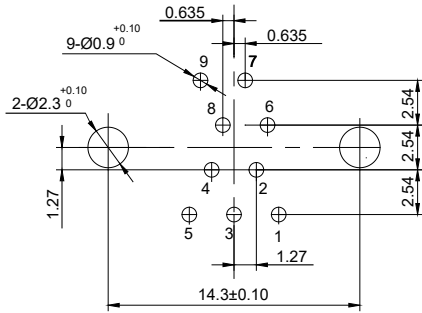
Part Number	A	B	D	E
R04JA-9RHS	23.4	18.6	14.8	9.8
R04JA-15RHS	27.4	22.6	18.3	13.8
R04JA-21RHS	31.1	26.3	22	17.5
R04JA-25RHS	33.7	28.9	24.6	20.1
R04JA-31RHS	37.5	32.7	28.4	24.1
R04JA-37RHS	41.4	36.6	32.3	27.8

Remark: All dimensions are in mm.

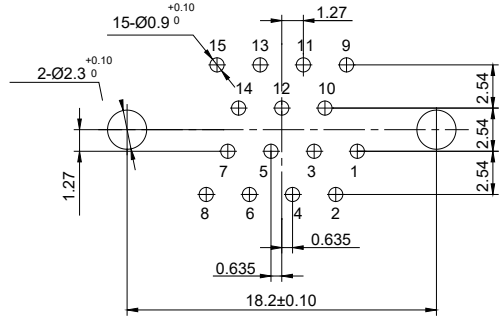


## R04J Series Straight to PCB Connectors Basic Type--PCB Layout

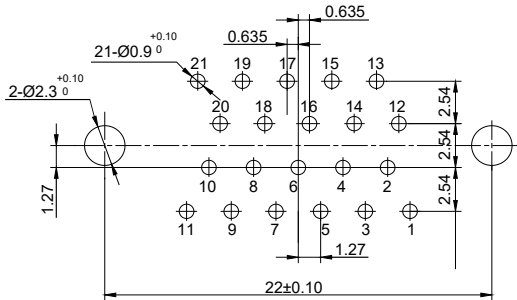
- Patterns Shown are for Connectors Mounting Side of PC Board
- PCB Layout: 2.54\*2.54mm
- Plug Connectors: R04J-9~66PIS/S4/S8



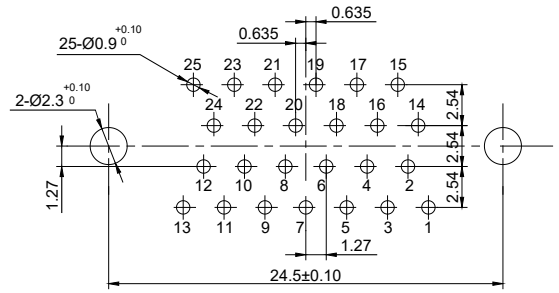
R04J-9PIS/S4/S8



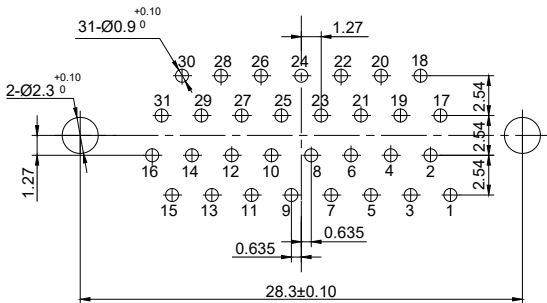
R04J-15PIS/S4/S8



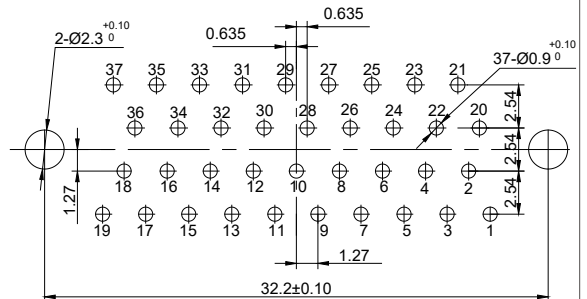
R04J-21PIS/S4/S8



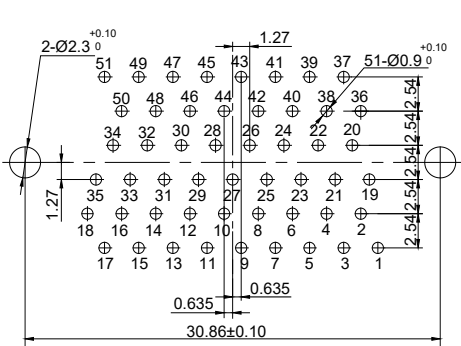
R04J-25PIS/S4/S8



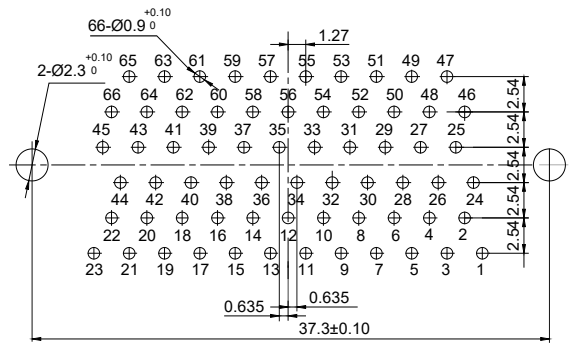
R04J-31PIS/S4/S8



R04J-37PIS/S4/S8



R04J-51PIS/S4/S8



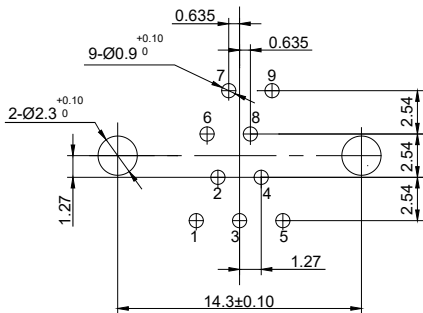
R04J-66PIS/S4/S8

Remark: All dimensions are in mm.

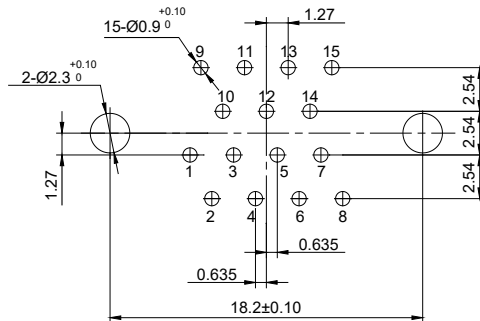


### R04J Series Straight to PCB Connectors Basic Type--PCB Layout

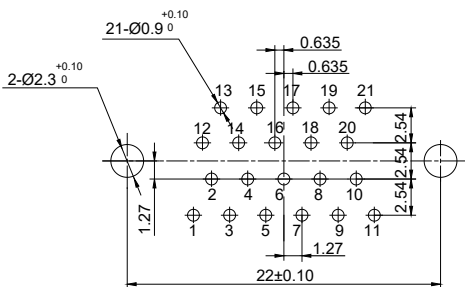
- Patterns Shown are for Connectors Mounting Side of PC Board
- PCB Layout: 2.54\*2.54mm
- Receptacle Connectors: R04J-9~66RHS/S3/S4



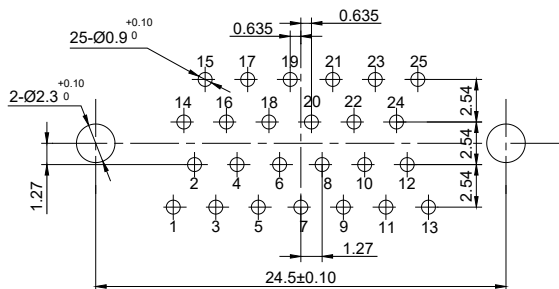
R04J-9RHS/S3/S4



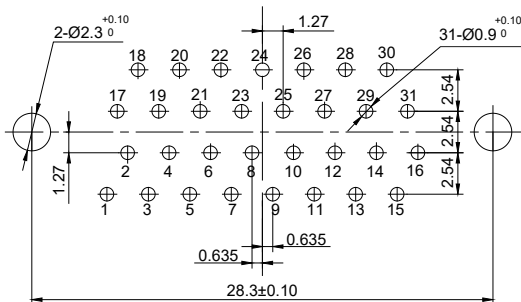
R04J-15RHS/S3/S4



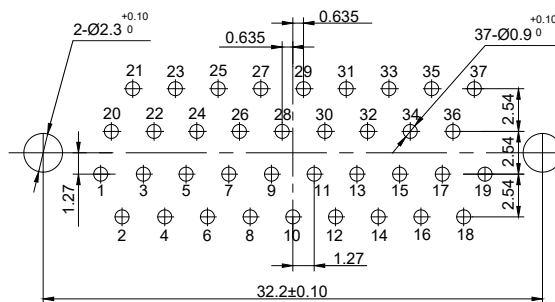
R04J-21RHS/S3/S4



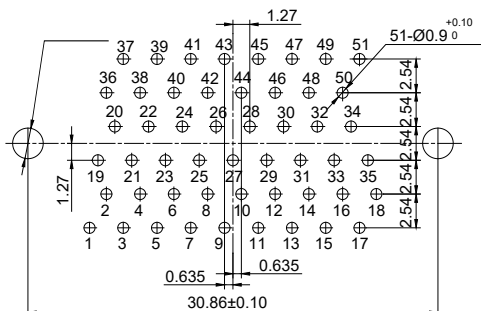
R04J-25RHS/S3/S4



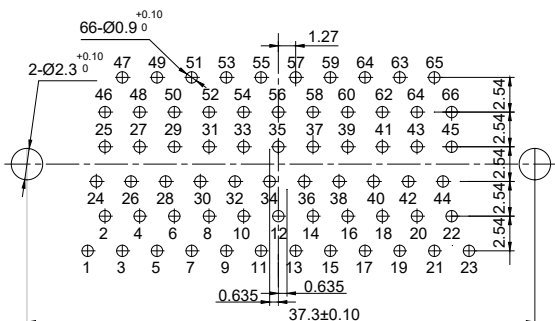
R04J-31RHS/S3/S4



R04J-37RHS/S3/S4



R04J-51RHS/S3/S4



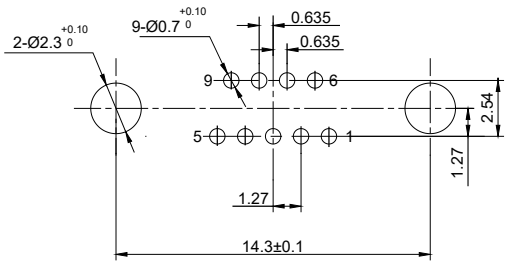
R04J-66RHS/S3/S4

Remark: All dimensions are in mm.

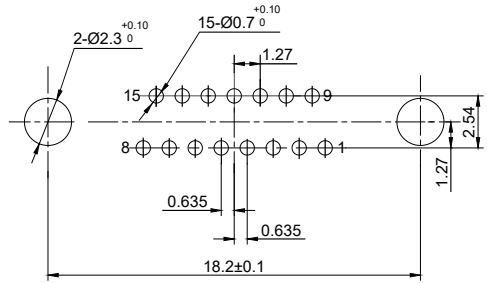


## R04J Series Straight to PCB Connectors Type J--PCB Layout

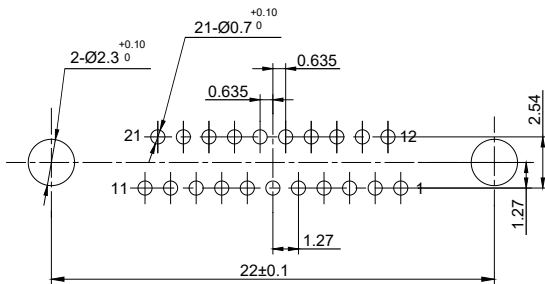
- Patterns Shown are for Connectors Mounting Side of PC Board
- PCB Layout: 1.27\*2.54mm
- Plug Connectors: R04J-9~100PIS-J



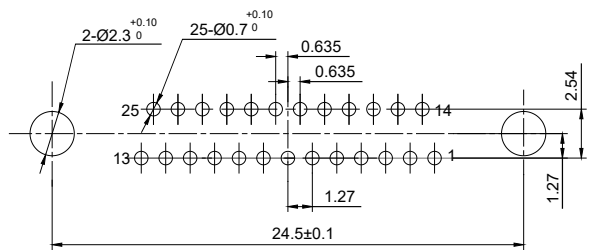
R04J-9PIS-J



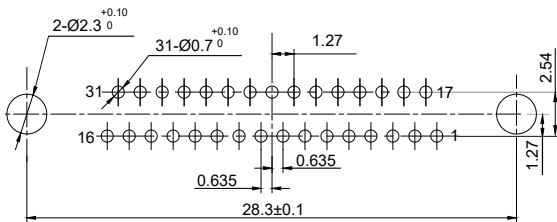
R04J-15PIS-J



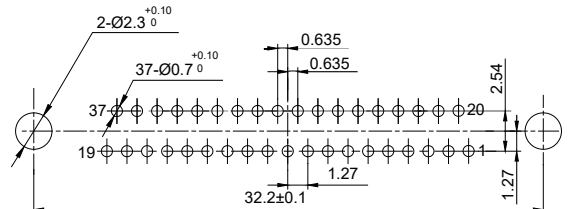
R04J-21PIS-J



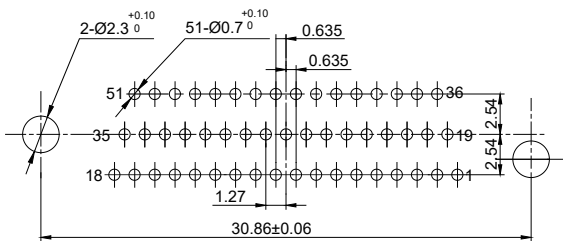
R04J-25PIS-J



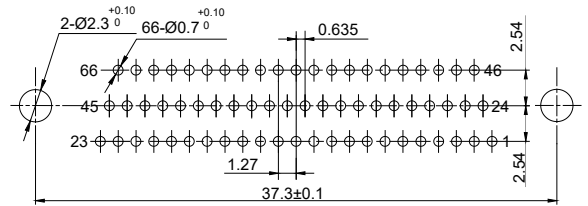
R04J-31PIS-J



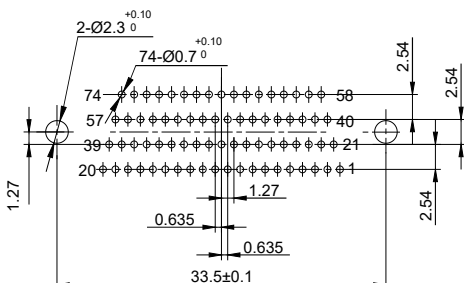
R04J-37PIS-J



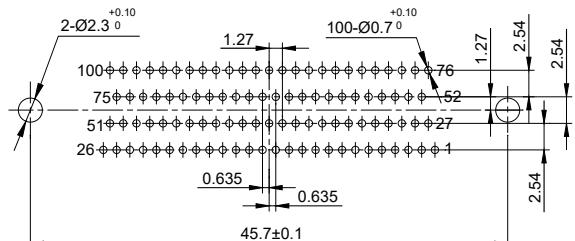
R04J-51PIS-J



R04J-66PIS-J



R04J-74PIS-J



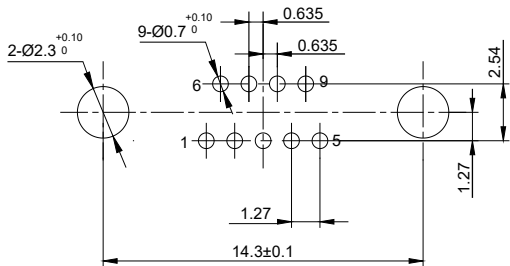
R04J-100PIS-J

Remark: All dimensions are in mm.

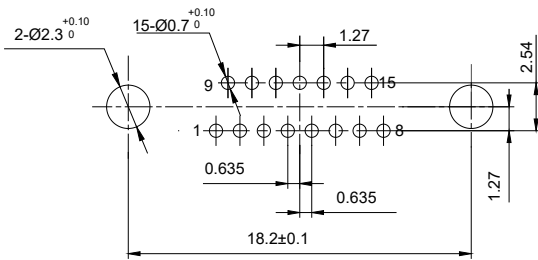


# R04J Series Straight to PCB Connectors Type J--PCB Layout

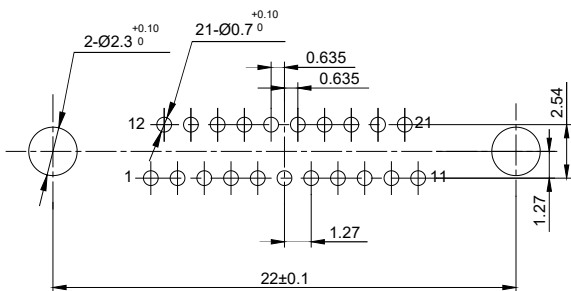
- Patterns Shown are for Connectors Mounting Side of PC Board
- PCB Layout: 1.27\*2.54mm
- Receptacle Connectors: R04J-9~100RHS/S4-J



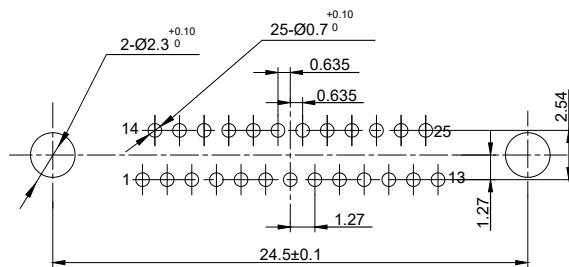
R04J-9RHS-J, RHS4-J



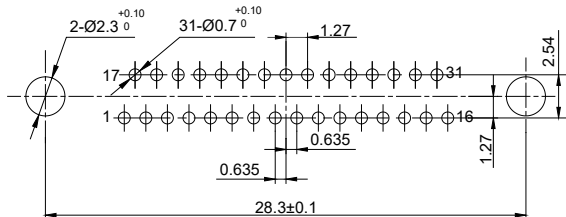
R04J-15RHS-J, RHS4-J



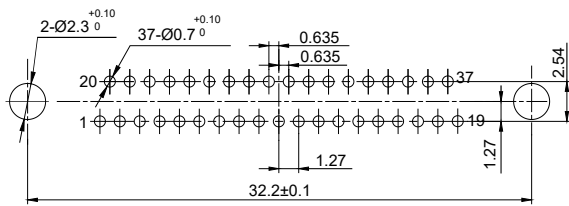
R04J-21RHS-J, RHS4-J



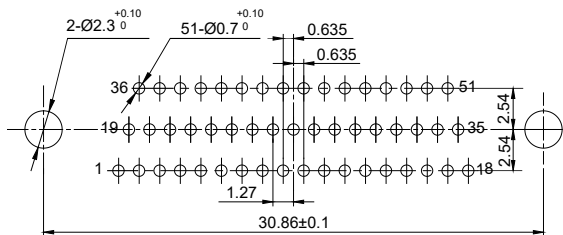
R04J-25RHS-J, RHS4-J



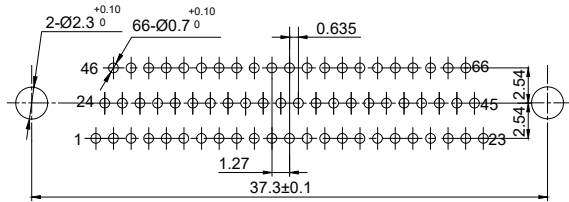
R04J-31RHS-J, RHS4-J



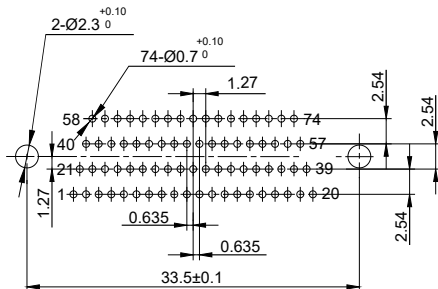
R04J-37RHS-J, RHS4-J



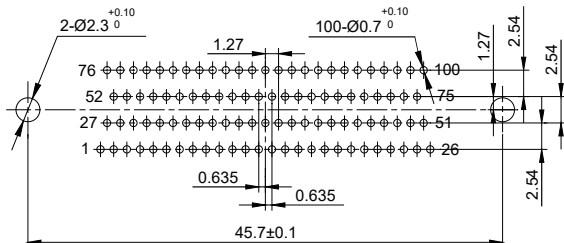
R04J-51RHS-J, RHS4-J



R04J-66RHS-J, RHS4-J



R04J-74RHS-J, RHS4-J



R04J-100RHS-J, RHS4-J

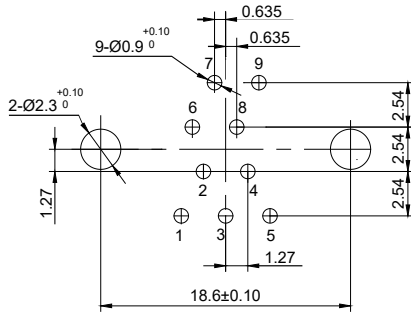
Remark: All dimensions are in mm.



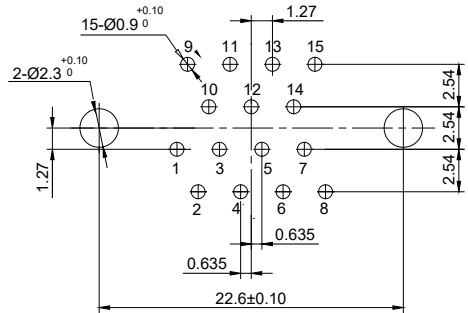


## R04J Series Straight to PCB Connectors Fast lock Type R04JA--PCB Layout

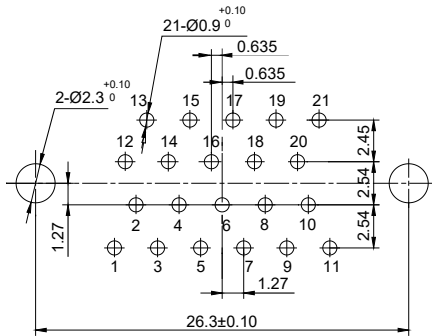
- Patterns Shown are for Connectors Mounting Side of PC Board
- PCB Layout: 2.54\*2.54mm
- Receptacle Connectors: R04JA-9~51RHS



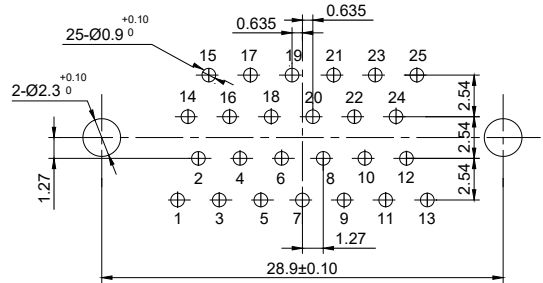
R04JA-9RHS



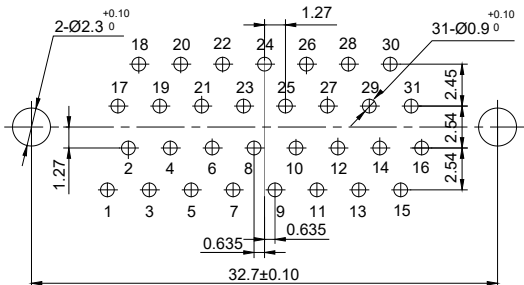
R04JA-15RHS



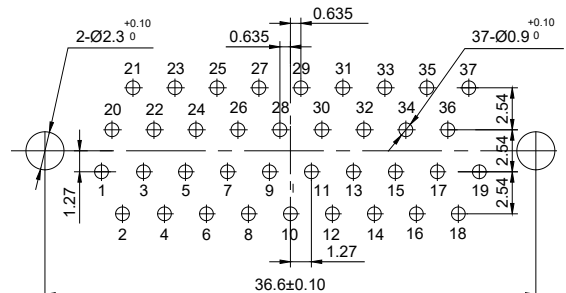
R04JA-21RHS



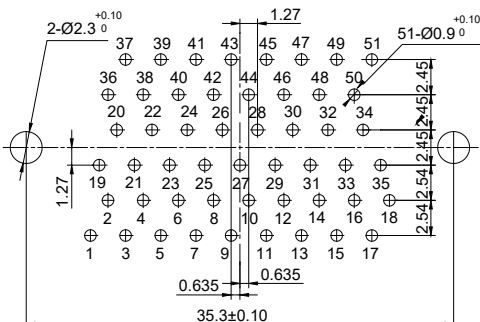
R04JA-25RHS



R04JA-31RHS



R04JA-37RHS



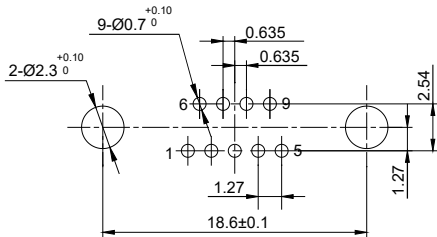
R04JA-51RHS

Remark: All dimensions are in mm.

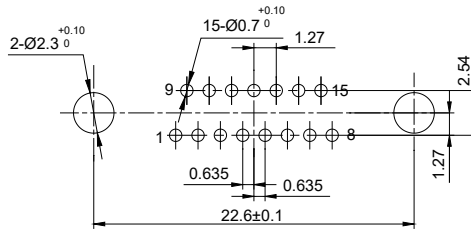


### R04J Series Straight to PCB Connectors Fast lock Type R04JA--PCB Layout

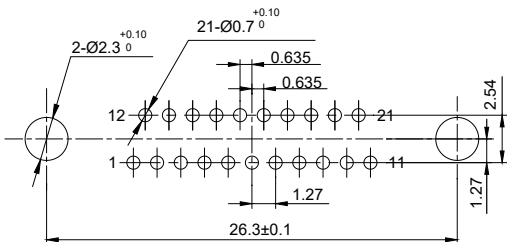
- Patterns Shown are for Connectors Mounting Side of PC Board
- PCB Layout: 1.27\*2.54mm
- Receptacle Connectors: R04JA-9~100RHS-J



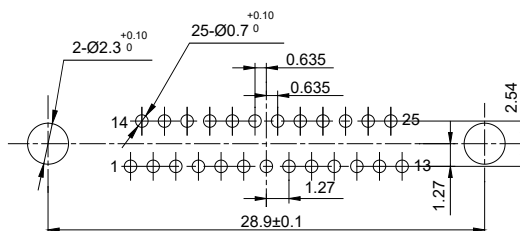
R04JA-9RHS-J



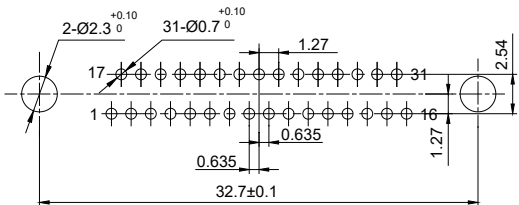
R04JA-15RHS-J



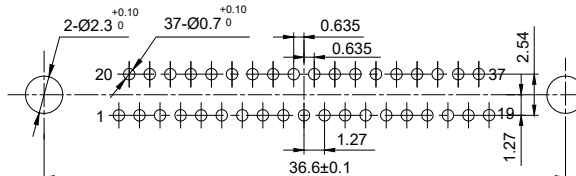
R04JA-21RHS-J



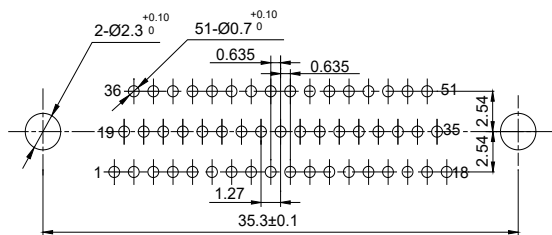
R04JA-25RHS-J



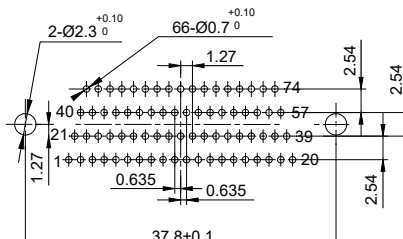
R04JA-31RHS-J



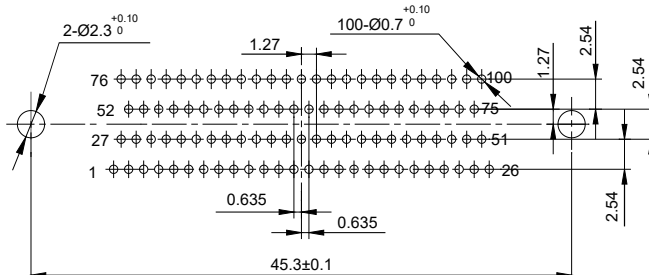
R04JA-37RHS-J



R04JA-51RHS-J



R04JA-74RHS-J

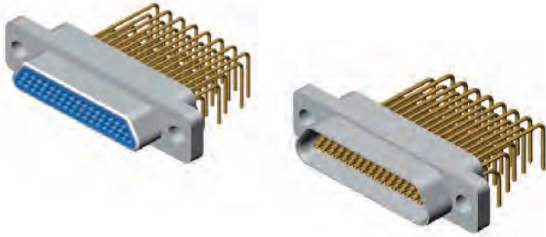


R04JA-100RHS-J

Remark: All dimensions are in mm.

# MIL-DTL-83513 Micro-D Connectors

## R04J Series Right Angle to PCB Connectors



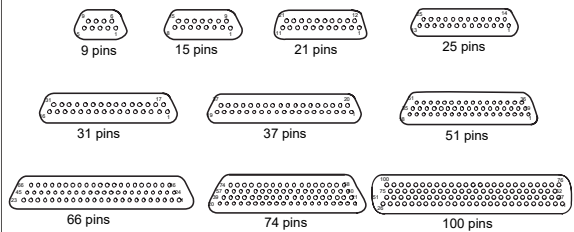
### Brief Introduction

- Micro-D Connectors
- Twist Pin Contacts, High Density
- Metal Shell, Nickel or Cadmium Plating
- Right Angle to PCB Connectors
- Meets MIL-DTL-83513

### Specifications

- Environment Temperature: -55°C~+125°C
- Vibration: 10Hz~2000Hz, 196m/s<sup>2</sup>
- Random Vibration: Power spectrum density 0.4G<sup>2</sup>/Hz  
root mean square value of total acceleration 23.1G
- Shock: 735m/s<sup>2</sup> 11sm
- Rated Current: 3A
- Contact Resistance: ≤10mΩ
- Insulation Resistance: ≥5000MΩ
- Dielectric Strength: 800V
- Durability: 500 times

### Contact Arrangements



### How To Order

<b>Sample Part Number</b>	<b>R04J</b>	<b>-25</b>	<b>PI</b>	<b>F</b>	<b>1</b>	<b>Q7</b>	<b>G</b>	<b>Q</b>	<b>-J</b>
<b>Series:</b>	R04J—Standard Type R04JA—Fast Lock Type R04JC—Sn-P Bronze Shell, Nickel Plating								
<b>Contact Number:</b>	9, 15, 21, 25, 31, 37, 51, 66, 74, 100pins								
<b>Contact Type :</b>	PI—Pin in Plug      RH—Socket in Receptacle								
<b>Tail Termination Type:</b>	F—90° Right Angle to PCB								
<b>Tail Length:</b>	1—3.0mm      2—5.5mm								
<b>Locking Hardware Type:</b>	Q7—Locking Hardware (See page 2)      No Code—No Locking Hardware								
<b>Shell Material and Finish :</b>	G—Aluminum Shell, Cadmium Plating      No Code—Aluminum Shell, Nickel Plating								
<b>Extended Series :</b>	No Code—Standard Type Q—Widened Flange Q8—The Sizes of Flange and Assembly Hole are Enlarged								
<b>PCB layout :</b>	J—1.27*2.54mm      No Code—2.54*2.54mm								



**Free End Locking Hardware For R04J Series Right Angle To PCB Connectors**

Type	A	B	Outline Dimensions	Assembly Picture	Matched with Locking Hardware
W	M2-6h	7.1			Q, Q0, Q2, Q3, Q4, Q5, Q7, Q8, Q9, Q10, Q11, Q14, Q15, Q17, Q23, Q25, Q29, Q32, Q35, Q36, Q37, Q41, Q42, Q43, Q45, Q46
W8	#2-56UNC-2A	7.1			Q1
W7	M2-6h	7.1			Q, Q0, Q2, Q3, Q4, Q5, Q7, Q8, Q9, Q10, Q11, Q14, Q15, Q17, Q23, Q25, Q29, Q32, Q35, Q36, Q37, Q41, Q42, Q43, Q45, Q46
N	M2-6h				Q, Q0, Q2, Q3, Q4, Q5, Q7, Q8, Q9, Q10, Q11, Q14, Q15, Q17, Q23, Q25, Q29, Q32, Q35, Q36, Q37, Q41, Q42, Q43, Q45, Q46
N1	#2-56UNC-2A				Q1

**Fixed End Locking Hardware For R04J Series Right Angle To PCB Connectors**

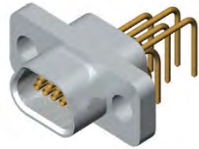
Type	Pin Count	A	B	C	D	E	Outline Dimensions	Assembly Picture	Matched with Locking Hardware	
Q2	9~37	4.2	7.6	11.6	3.7	1			W, W7, W9, N	
	51	4.2	8.7	11.6	3.7	1				
	74	4.2	9.7	11.6	3.7	1				
	100	8.8	9.7	11.6	3.7	1				
Q14	9~37	4.2	7.6	10.7	1.7	3				Note: Use with rear panel mounting right angle to PCB connectors
	51	4.2	8.7	10.7	1.7	3				
	74	4.2	9.7	10.7	1.7	3				
	100	8.8	9.7	10.7	1.7	3				
Q7	9~37	4.2	7.6	10.7						W, W7, W9, N
	51	4.2	8.7	10.7						
	74	4.2	9.7	10.7						
	100	8.8	9.7	10.7						
Q42	9~37	4.2	7.6	9.7					Note: Use with front panel mounting right angle to PCB connectors	
	51	4.2	8.7	9.7						
	74	4.2	9.7	9.7						
	100	8.8	9.7	9.7						
Q15	9~37	7.6	1.9	2.5	9.7				W, W7, W9, N	
	51	8.7	1.9	2.5	9.7					
Q35	9~37	7.6	2.4	1.8	9.5				Note: Use with front panel mounting for R04J-9~51PI/ RHF-Q8	
	51	8.7	2.4	1.8	9.5					
V1	9~37	4.2	7.6	9.7					Note: No need to lock with free end locking hardware	
	51	4.2	8.7	9.7						
	74	4.2	9.7	9.7						
	100	8.8	9.7	9.7						

Remark: 1. Fixed end locking hardware apply to fix the connectors on the mounting panels or the PCB. Most fixed end locking hardware can be mated with free end locking hardware, but a little can not. (eg. V1)  
2. All dimensions are in mm.

## R04J Series Right Angle To PCB Connectors - Basic Type



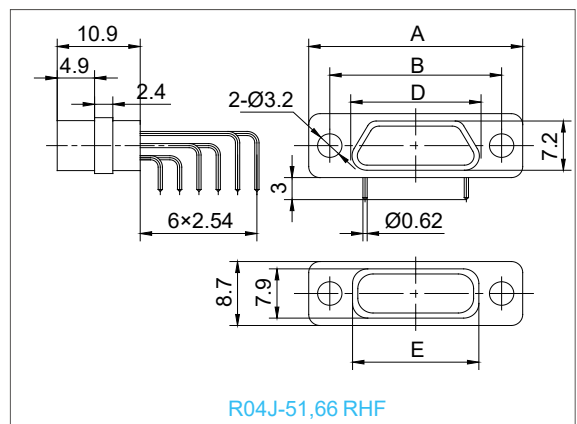
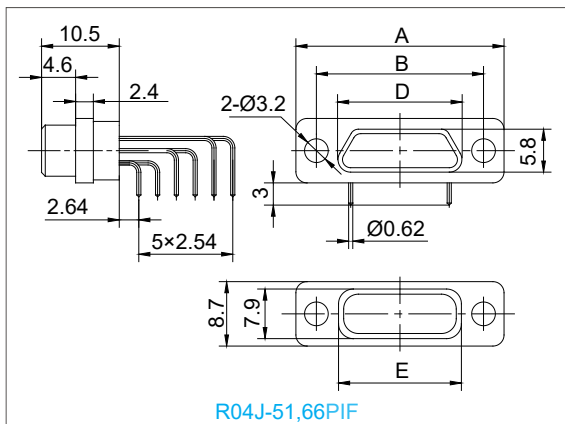
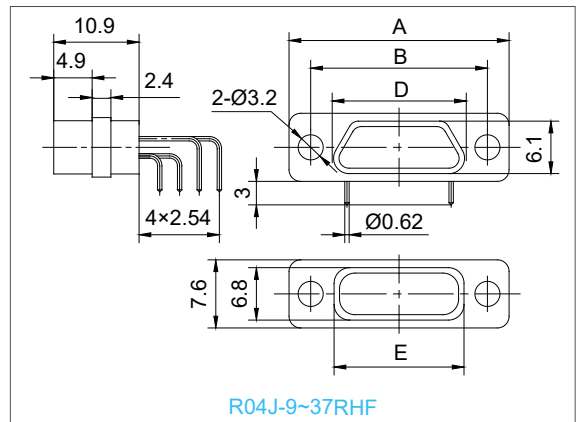
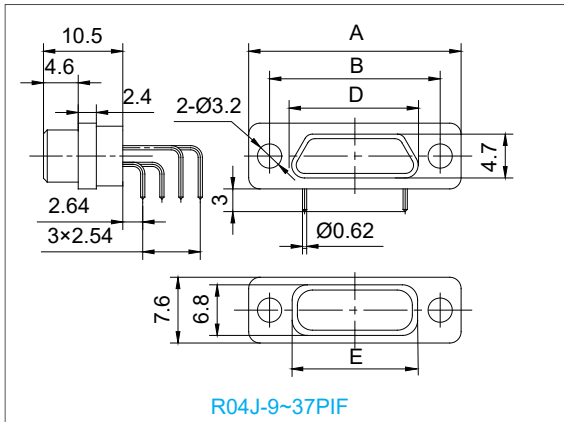
Plug:PIF



Receptacle:RHF

- **Shell Plating:** Nickel or Cadmium
- **PCB Layout:** 2.54\*2.54mm
- **Contacts:**  
R04J- 9, 15, 21, 25, 31, 37, 51, 66PI/RHF

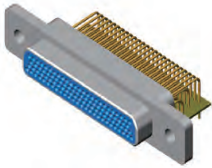
### Outline Dimensions



Part Number	A	B	D		E
			PIF	RHF	
R04J-9PI/RHF	19.6	14.3	8.3	9.8	9.9
R04J-15PI/RHF	23.5	18.2	12.3	13.7	13.8
R04J-21PI/RHF	27.4	22	16	17.4	17.6
R04J-25PI/RHF	29.8	24.5	18.6	20	20.2
R04J-31PI/RHF	33.6	28.3	22.4	23.8	24
R04J-37PI/RHF	37.4	32.2	26.3	27.7	27.8
R04J-51PI/RHF	36.4	30.86	25	26.5	26.6
R04J-66PI/RHF	42.9	37.3	31.4	32.9	33

Remark:All dimensions are in mm.

## R04J Series Right Angle To PCB Connectors - Type J



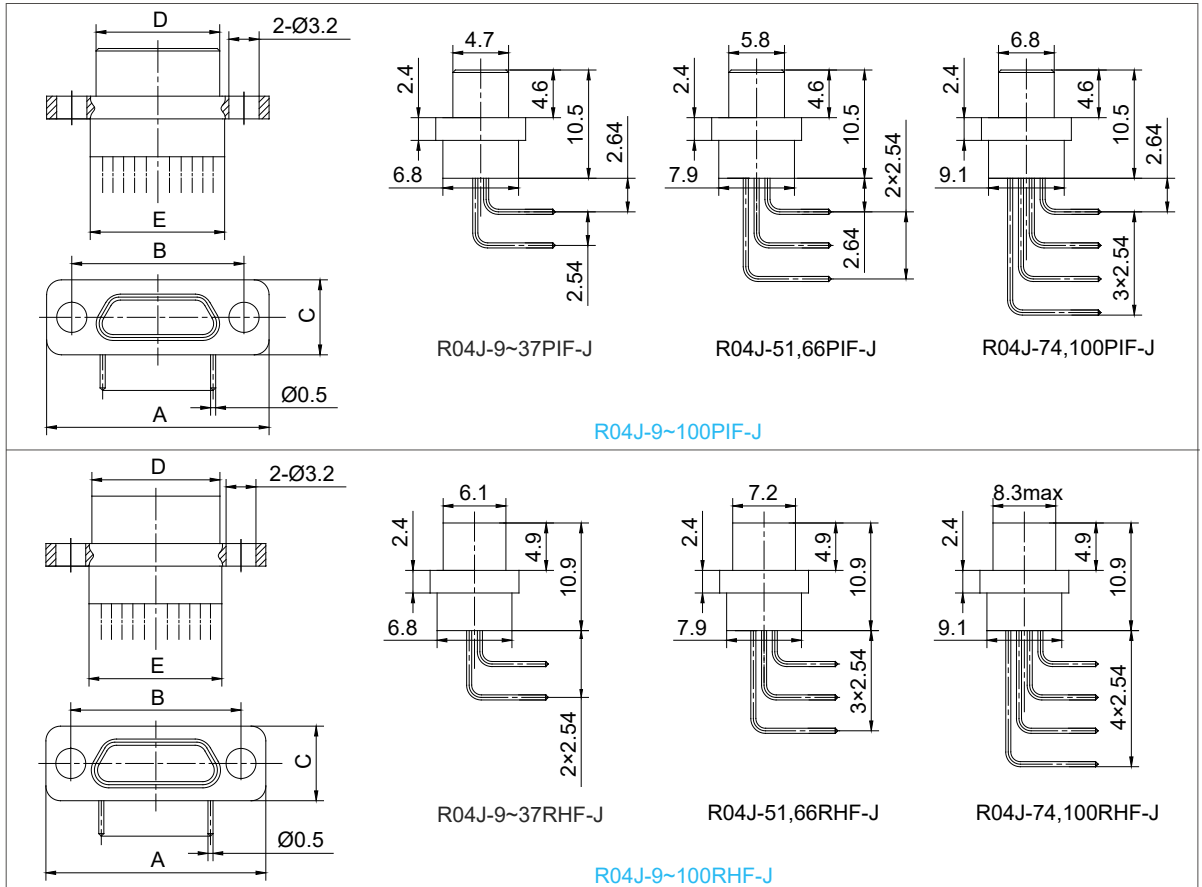
Plug:PIF-J



Receptacle:RHF-J

- **Shell Plating:** Nickel or Cadmium
- **PCB Layout:** 1.27\*2.54mm
- **Contacts:**  
R04J- 9, 15, 21, 25, 31, 37, 51, 66, 74, 100PI/RHF-J

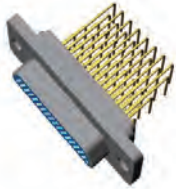
### Outline Dimensions



Part Number	A	B	C	D		E
				PIF-J	RHF-J	
R04J-9PI/RHF-J	19.6	14.3	7.6	8.3	9.8	9.9
R04J-15PI/RHF-J	23.5	18.2	7.6	12.3	13.7	13.8
R04J-21PI/RHF-J	27.4	22	7.6	16	17.4	17.6
R04J-25PI/RHF-J	29.8	24.5	7.6	18.6	20	20.2
R04J-31PI/RHF-J	33.6	28.3	7.6	22.4	23.8	24
R04J-37PI/RHF-J	37.4	32.2	7.6	26.3	27.7	27.8
R04J-51PI/RHF-J	36.4	30.86	8.7	25	26.5	26.6
R04J-66PI/RHF-J	42.9	37.3	8.7	31.4	32.9	33
R04J-74PI/RHF-J	38.8	33.5	9.7	27.5	29	29.1
R04J-100PI/RHF-J	54.7	45.7	9.7	35	36.6	36.6

Remark: All dimensions are in mm.

## R04J Series Right Angle To PCB Connectors - Type Q8



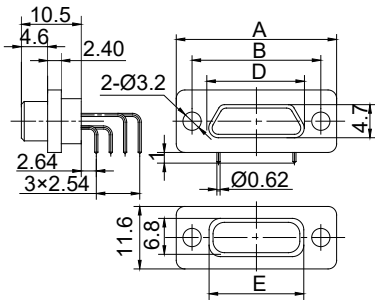
Plug:PIF-Q8



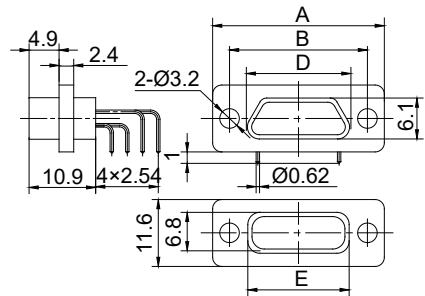
Receptacle:RHF-Q8

- **Shell Plating:** Nickel or Cadmium
- **PCB Layout:** 2.54\*2.54mm
- **Contacts:**  
R04J- 9, 15, 21, 25, 31, 37, 51PI/RHF-Q8

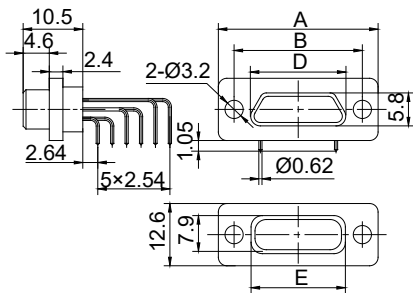
### Outline Dimensions



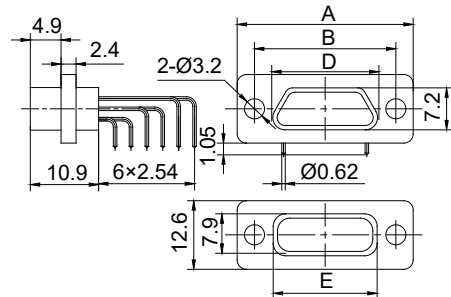
R04J-9~37PIF-Q8



R04J-9~37RHF-Q8



R04J-51PIF-Q8



R04J-51RHF-Q8

Part Number	A	B	D		E
			PIF-Q8	RHF-Q8	
R04J-9PI/RHF-Q8	21.4	16.1	8.3	9.8	11.7
R04J-15PI/RHF-Q8	25.3	20	12.3	13.7	15.6
R04J-21PI/RHF-Q8	29.2	23.8	16	17.4	19.4
R04J-25PI/RHF-Q8	31.6	26.3	18.6	20	22
R04J-31PI/RHF-Q8	35.4	30.1	22.4	23.8	25.8
R04J-37PI/RHF-Q8	39.2	34	26.3	27.7	29.6
R04J-51PI/RHF-Q8	38.2	32.6	26.5	26.5	28.4

Remark:All dimensions are in mm.

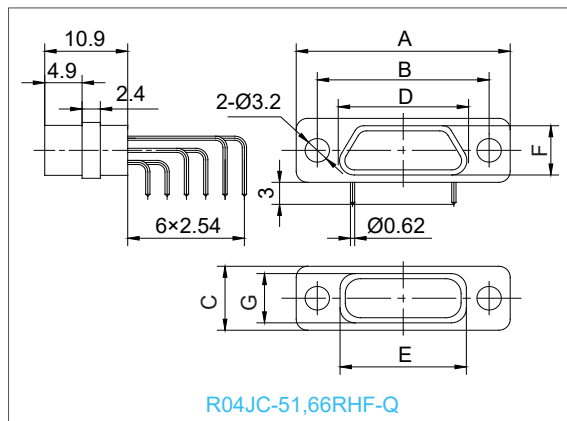
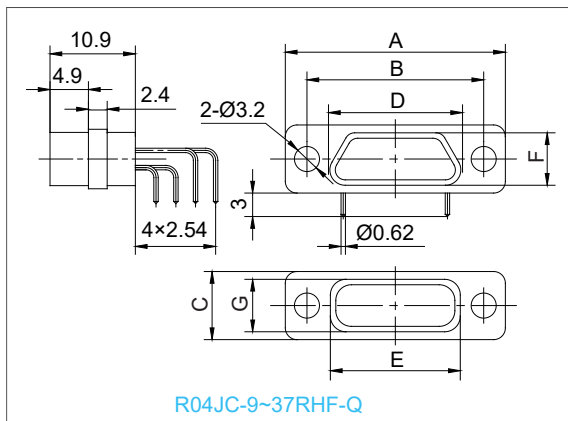
## R04JC Series Right Angle To PCB Connectors - Extend Type Q8



Receptacle:R04JC-\*RHF-Q

- Sn-p Outer Shell, Nickel Plating
- PCB Layout: 2.54\*2.54mm
- Widen The Flange
- Receptacle Connectors
- **Contacts:**  
R04JC-9, 15, 21, 25, 31, 37, 51, 66RHF-Q

### Outline Dimensions

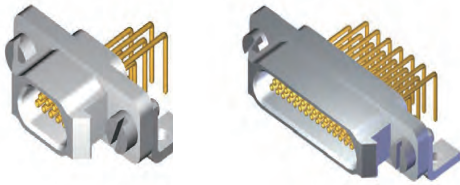


Part Number	A	B	C	D	E	F	G
R04JC-9RHF-Q	26	21	14	9.8	9.9	6.1	6.8
R04JC-15RHF-Q	29.9	24.9	14	13.7	13.8	6.1	6.8
R04JC-21RHF-Q	33.8	28.7	14	17.4	17.6	6.1	6.8
R04JC-25RHF-Q	36.2	31.2	14	20	20.2	6.1	6.8
R04JC-31RHF-Q	40	35	14	23.8	24	6.1	6.8
R04JC-37RHF-Q	43.8	38.9	14	27.7	27.8	6.1	6.8
R04JC-51RHF-Q	42.6	37.6	15.2	26.5	26.6	7.2	7.9
R04JC-66RHF-Q	49.3	44	15.2	32.9	33	7.2	7.9

Remark:All dimensions are in mm.



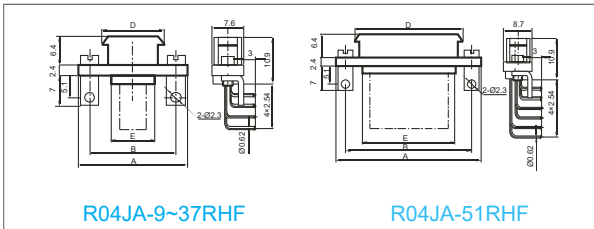
## R04JA Series Right Angle To PCB Connectors - Basic Type



Receptacle:R04JA-\*RHF

- With Fast Lock Function
- **Shell Plating:** Nickel or Cadmium
- **PCB Layout:** 2.54\*2.54mm
- Receptacle Connectors
- **Contacts:**  
R04JA- 9, 15, 21, 25, 31, 37, 51RHF

### Outline Dimensions

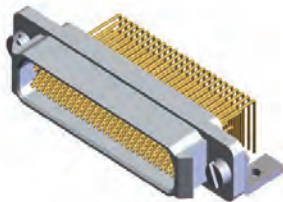


R04JA-9~37RHF

R04JA-51RHF

Part Number	A	B	D	E
R04JA-9RHF	23.4	18.6	14.3	9.8
R04JA-15RHF	27.4	22.6	18.3	13.8
R04JA-21RHF	31.1	26.3	22	17.5
R04JA-25RHF	33.7	28.9	24.6	20.1
R04JA-31RHF	37.5	32.7	28.4	24.1
R04JA-37RHF	41.4	36.6	32.3	27.8
R04JA-51RHF	40.1	35.5	31	26.5

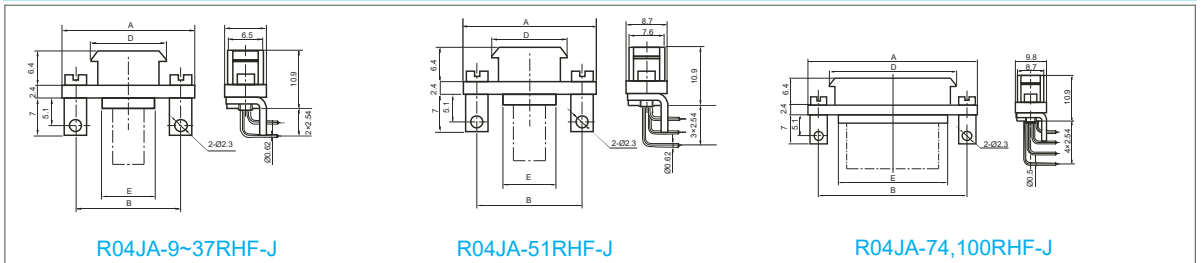
## R04JA Series Right Angle To PCB Connectors - Type J



Receptacle:R04JA-\*RHF-J

- With Fast Lock Function
- **Shell Plating:** Nickel or Cadmium
- **PCB Layout:** 1.27\*2.54mm
- Receptacle Connectors
- **Contacts:**  
R04JA- 9, 15, 21, 25, 31, 37, 51, 66, 74, 100RHF-J

### Outline Dimensions



R04JA-9~37RHF-J

R04JA-51RHF-J

R04JA-74,100RHF-J

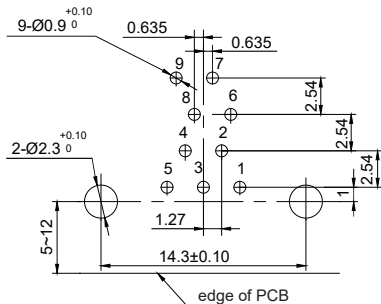
Part Number	A	B	D	E
R04JA-9RHF-J	23.4	18.6	14.3	9.8
R04JA-15RHF-J	27.4	22.6	18.3	13.8
R04JA-21RHF-J	31.1	26.3	22	17.5
R04JA-25RHF-J	33.7	28.9	24.6	20.1
R04JA-31RHF-J	37.5	32.7	28.4	24.1
R04JA-37RHF-J	41.4	36.6	32.3	27.8
R04JA-51RHF-J	40.1	35.3	31	26.5
R04JA-74RHF-J	42.6	37.8	33.5	29
R04JA-100RHF-J	50.1	45.3	41	36.5

Remark:All dimensions are in mm.

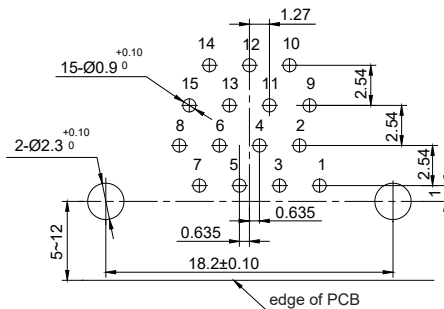


# R04J Series Right Angle to PCB Connectors Basic Type--PCB Layout

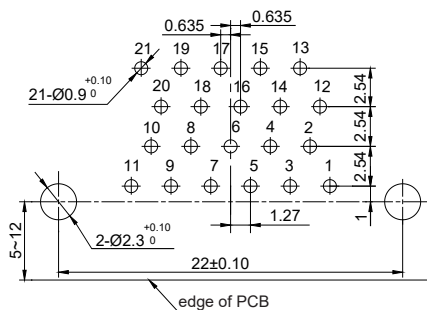
- Patterns Shown are for Connectors Mounting Side of PC Board
- PCB Layout: 2.54\*2.54mm
- Plug Connectors: R04J-9~66PIF



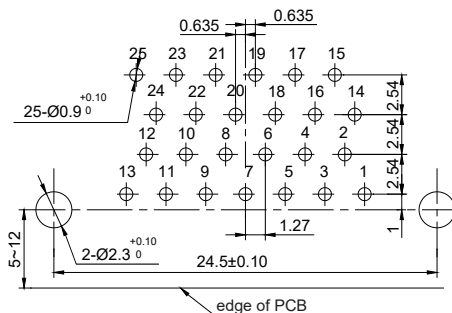
R04J-9PIF



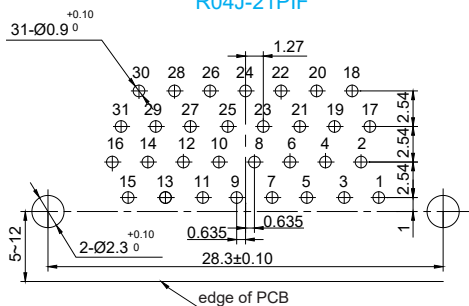
R04J-15PIF



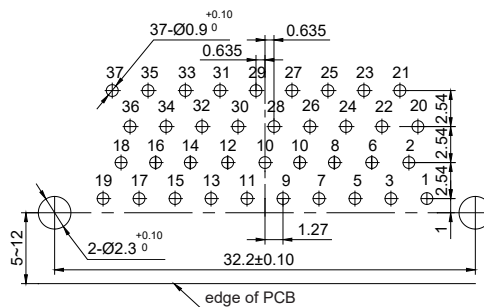
R04J-21PIF



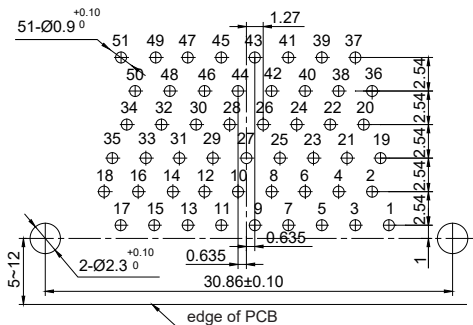
R04J-25PIF



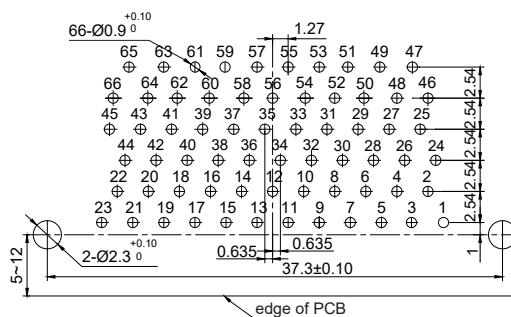
R04J-31PIF



R04J-37PIF



R04J-51PIF



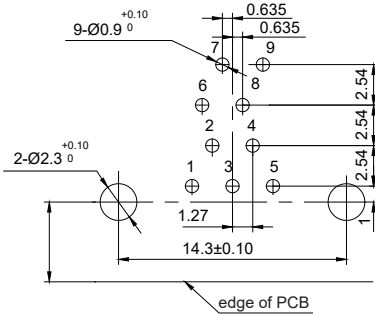
R04J-66PIF

Remark: All dimensions are in mm.

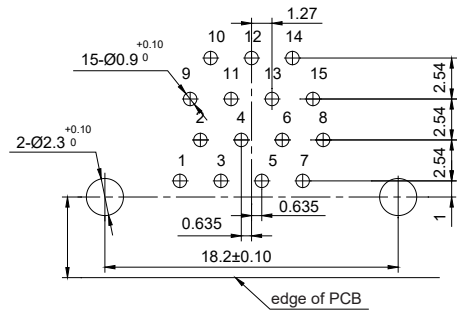


## R04J Series Right Angle to PCB Connectors Basic Type--PCB Layout

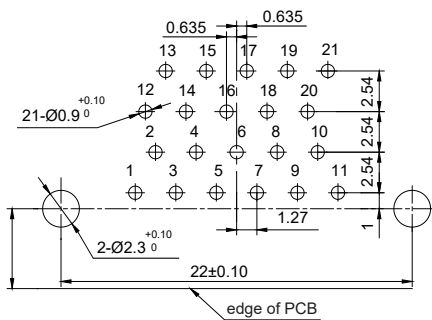
- Patterns Shown are for Connectors Mounting Side of PC Board
- PCB Layout: 2.54\*2.54mm
- Receptacle Connectors: R04J-9~66RHF



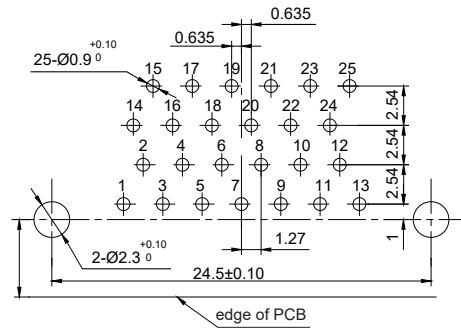
R04J-9RHF



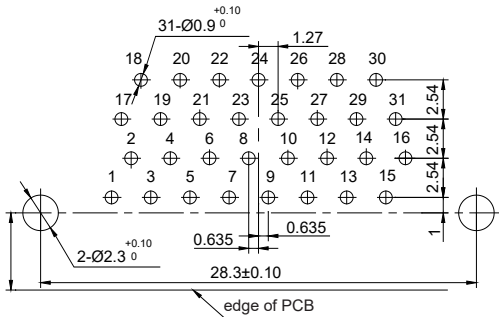
R04J-15RHF



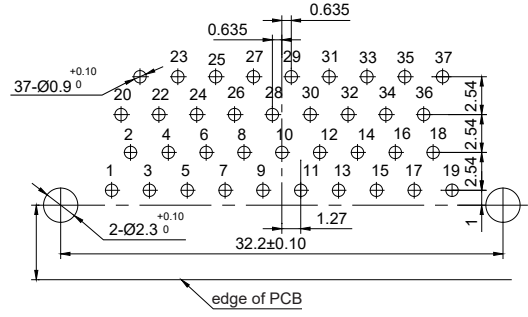
R04J-21RHF



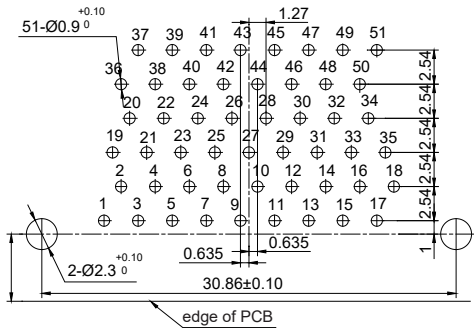
R04J-25RHF



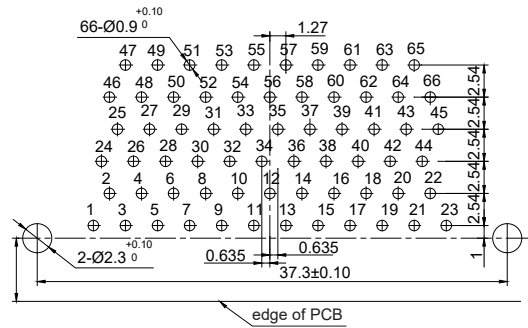
R04J-31RHF



R04J-37RHF



R04J-51RHF



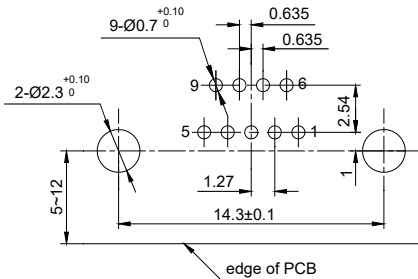
R04J-66RHF

Remark: All dimensions are in mm.

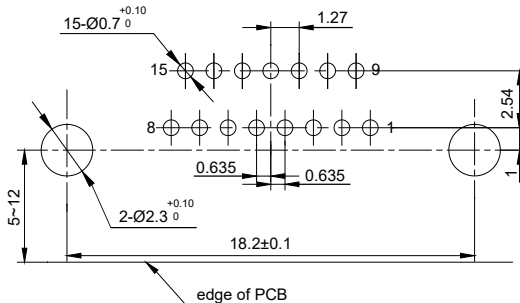


### R04J Series Right Angle to PCB Connectors Type J--PCB Layout

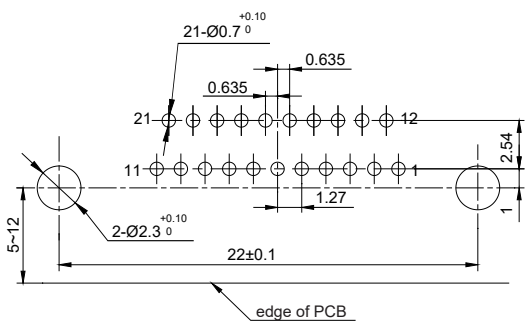
- Patterns Shown are for Connectors Mounting Side of PC Board
- PCB Layout: 1.27\*2.54mm
- Plug Connectors: R04J-9~100PIF-J



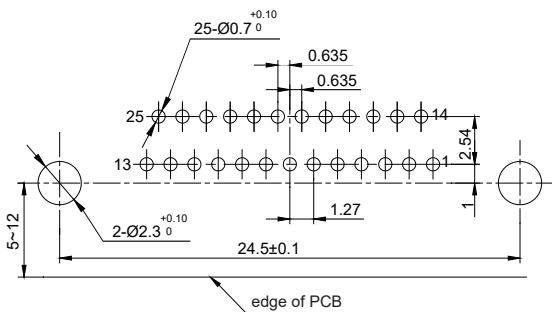
R04J-9PIF-J



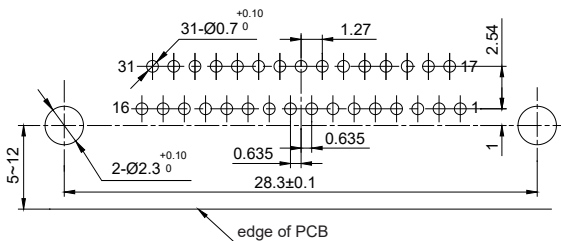
R04J-15PIF-J



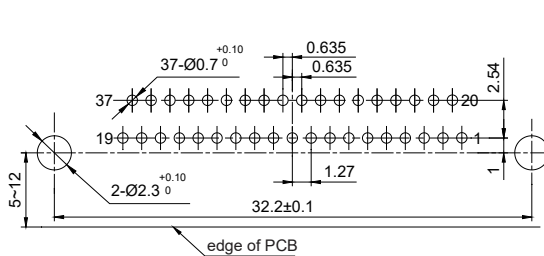
R04J-21PIF-J



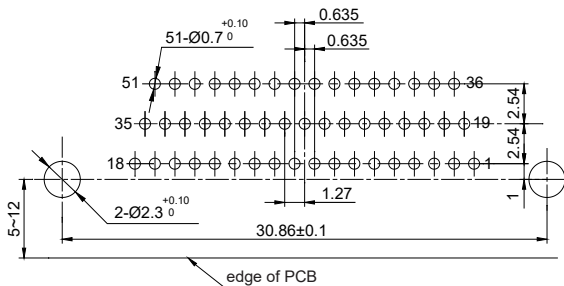
R04J-25PIF-J



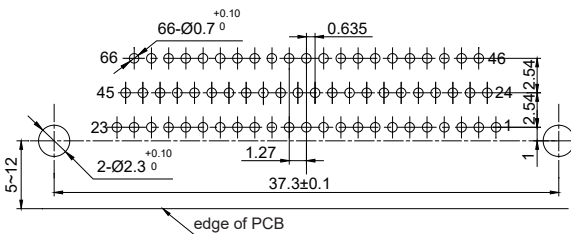
R04J-31PIF-J



R04J-37PIF-J

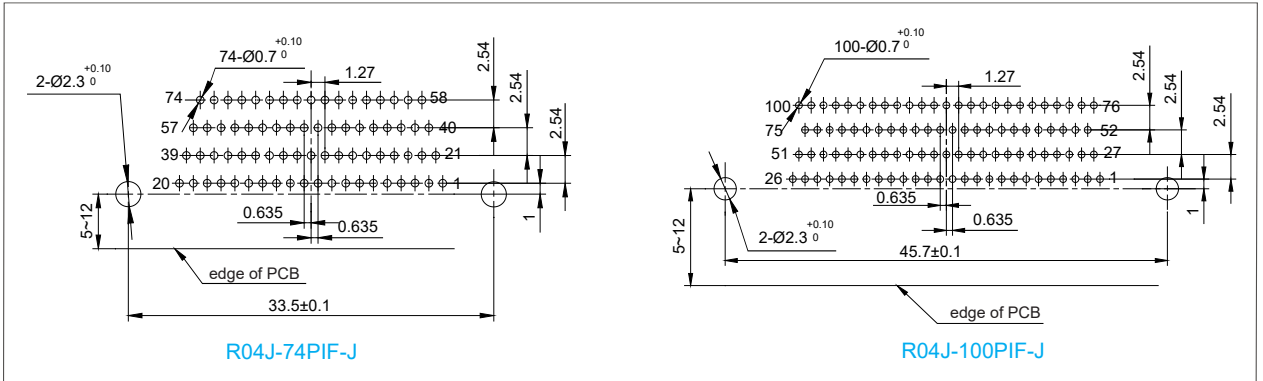


R04J-51PIF-J



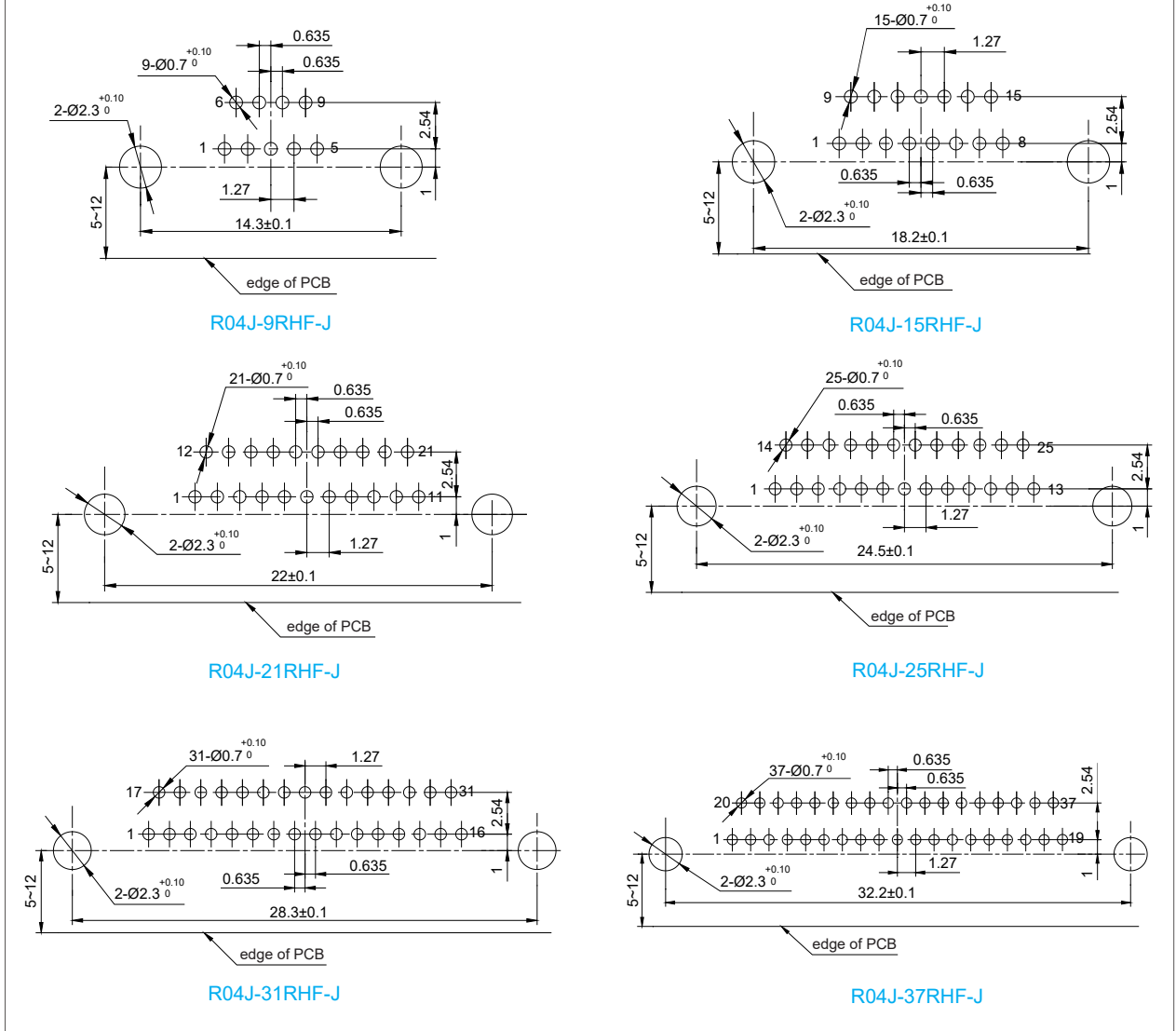
R04J-66PIF-J

Remark: All dimensions are in mm.

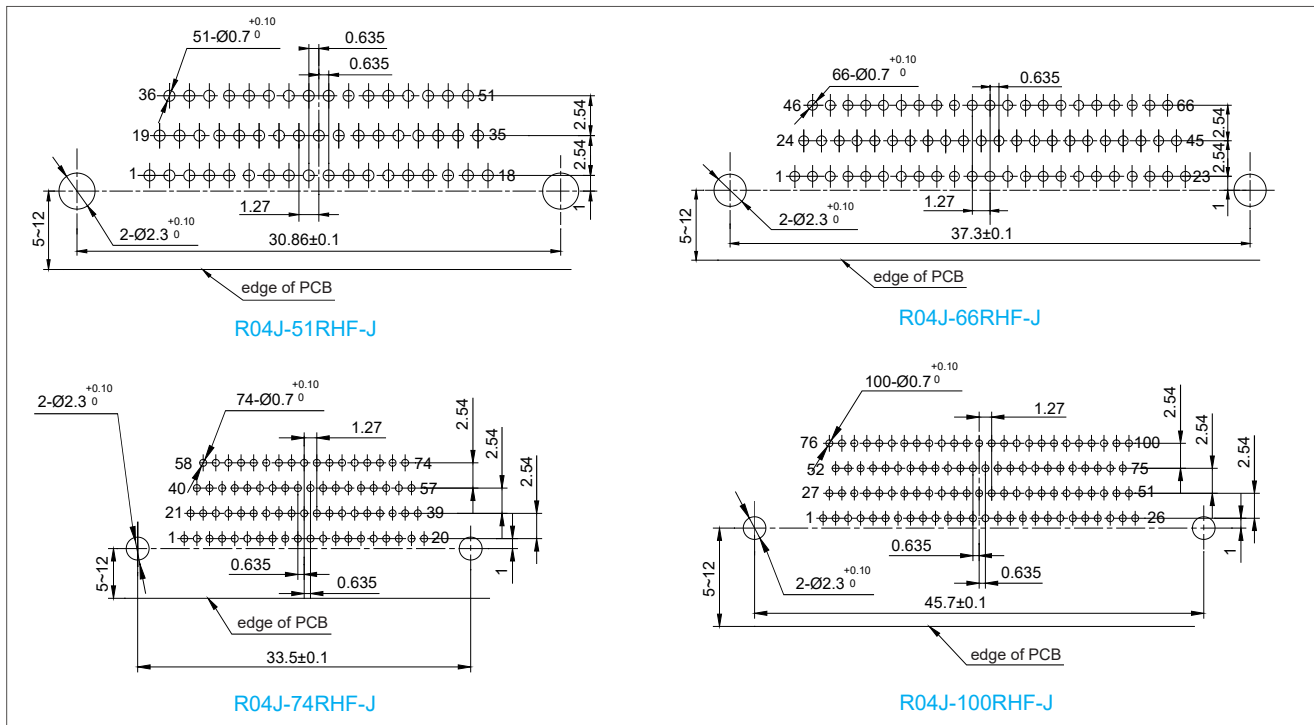


**R04J Series Right Angle to PCB Connectors Type J--PCB Layout**

- Patterns Shown are for Connectors Mounting Side of PC Board
- PCB Layout: 1.27\*2.54mm
- Receptacle Connectors: R04J-9~100RHF-J

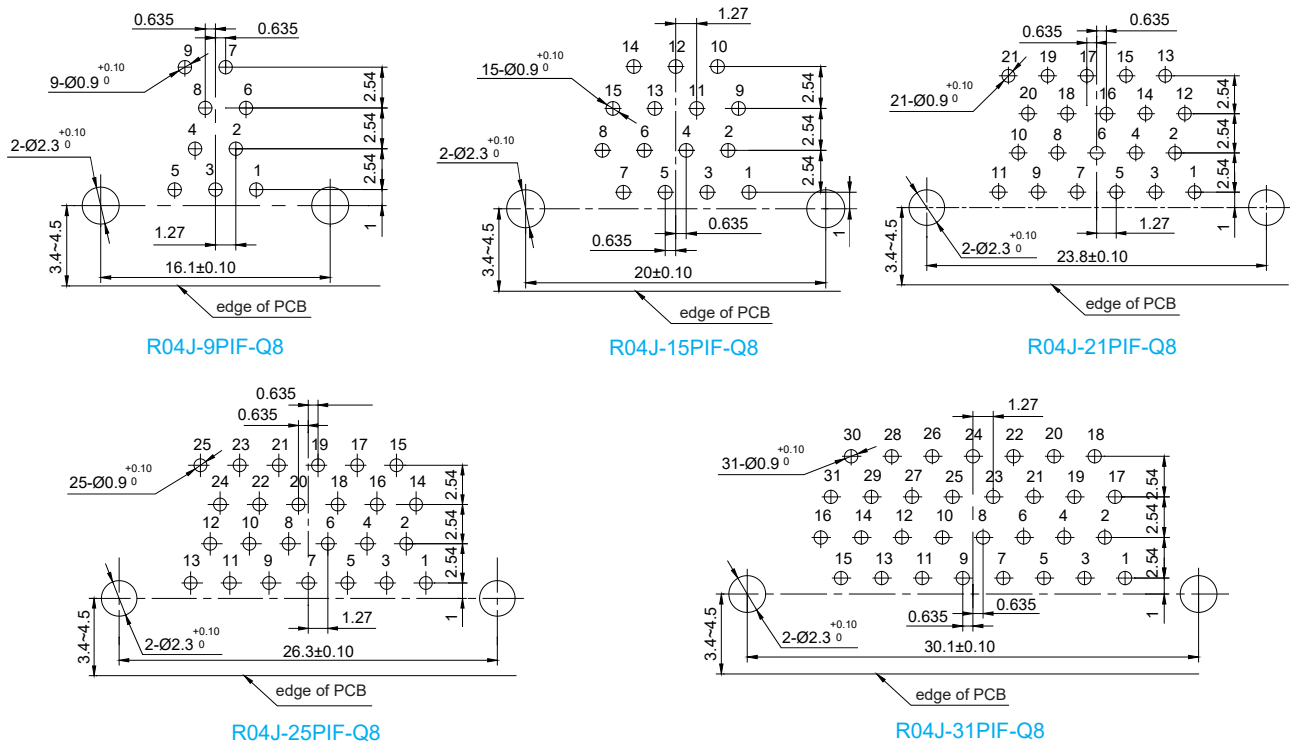


Remark: All dimensions are in mm.

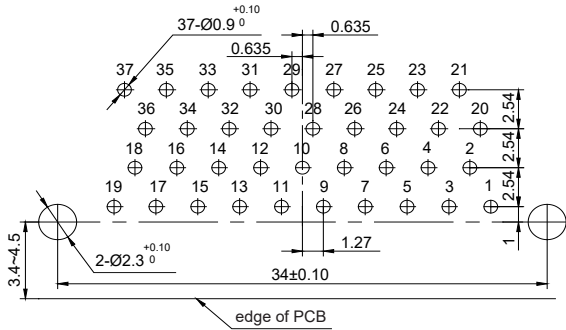


### R04J Series Right Angle to PCB Connectors Type Q8--PCB Layout

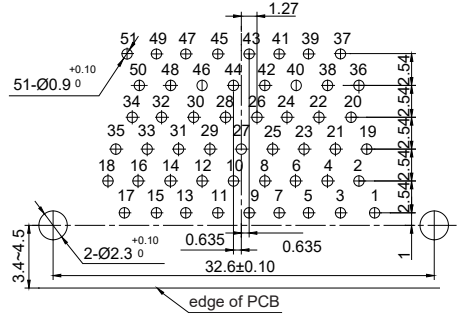
- Patterns Shown are for Connectors Mounting Side of PC Board
- PCB Layout: 2.54\*2.54mm
- Plug Connectors: R04J-9~51PIF-Q8



Remark: All dimensions are in mm.



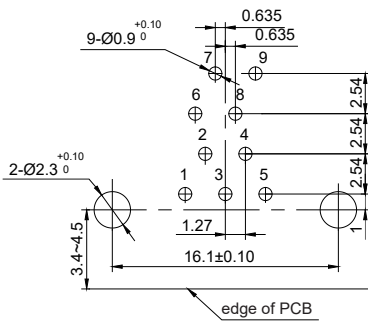
R04J-37PIF-Q8



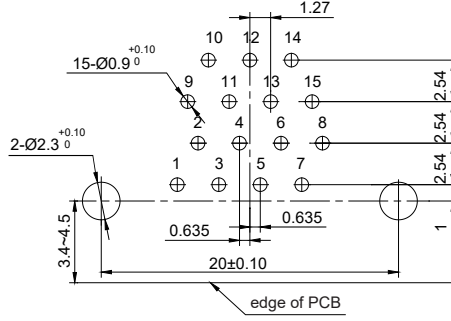
R04J-51PIF-Q8

### R04J Series Right Angle to PCB Connectors Type Q8--PCB Layout

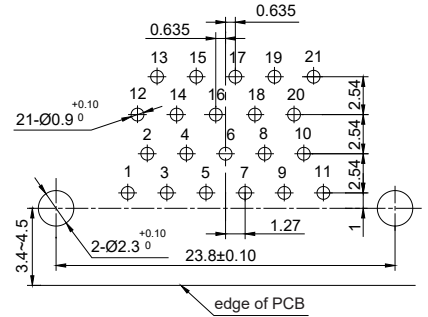
- Patterns Shown are for Connectors Mounting Side of PC Board
- PCB Layout: 2.54\*2.54mm
- Receptacle Connectors: R04J-9~51RHF-Q8



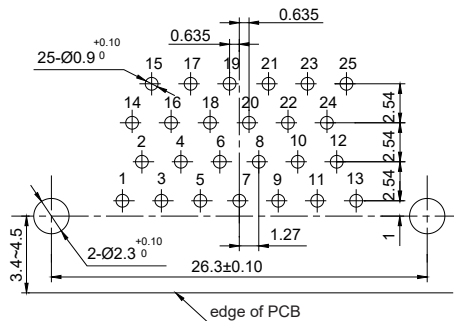
R04J-9RHF-Q8



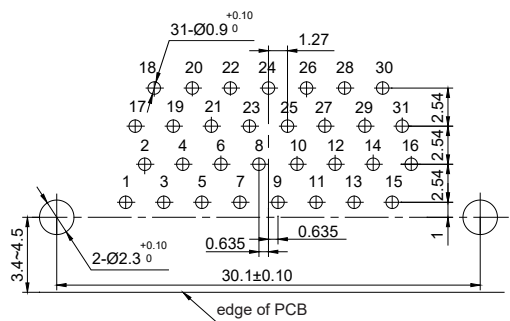
R04J-15RHF-Q8



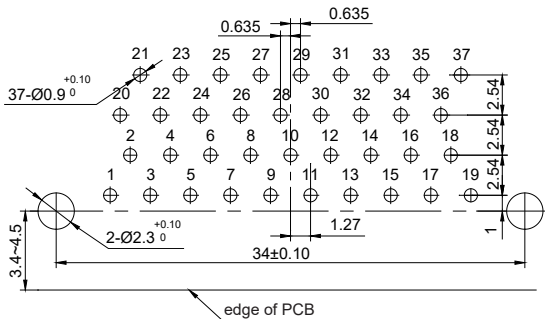
R04J-21RHF-Q8



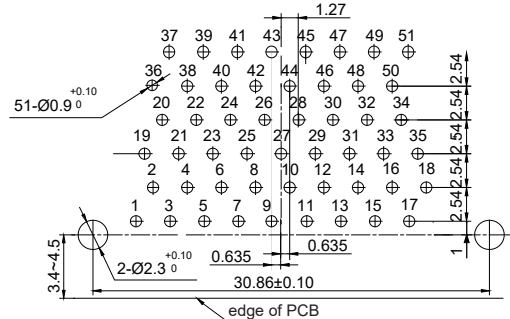
R04J-25RHF-Q8



R04J-31RHF-Q8



R04J-37RHF-Q8



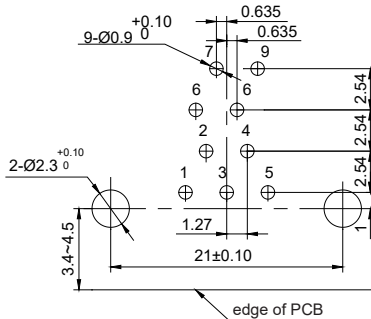
R04J-51RHF-Q8

Remark: All dimensions are in mm.

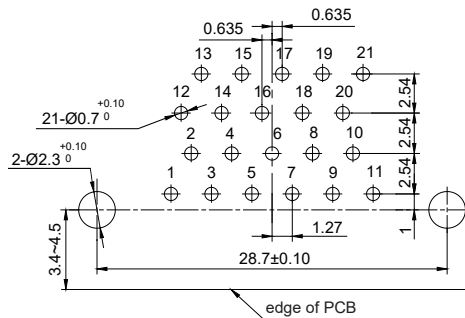


# R04JC Series Right Angle to PCB Connectors Type Q--PCB Layout

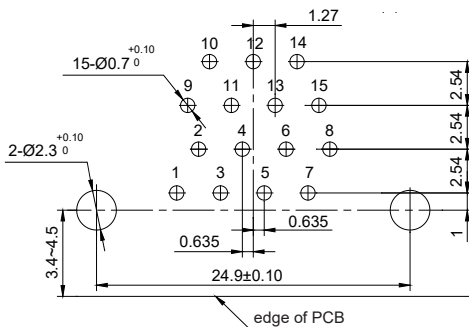
- Patterns Shown are for Connectors Mounting Side of PC Board
- PCB Layout: 2.54\*2.54mm
- Receptacle Connectors: R04JC-9~51RHF-Q



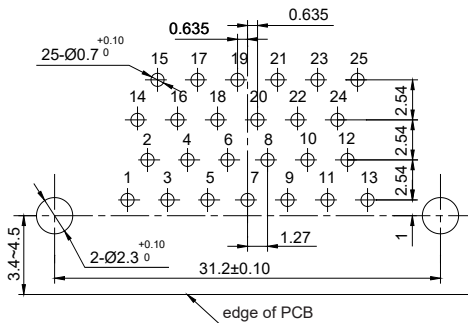
R04JC-9RHF-Q



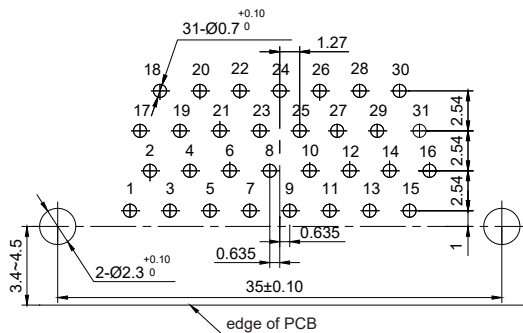
R04JC-21RHF-Q



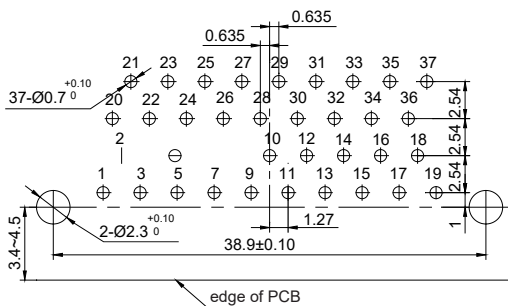
R04JC-15RHF-Q



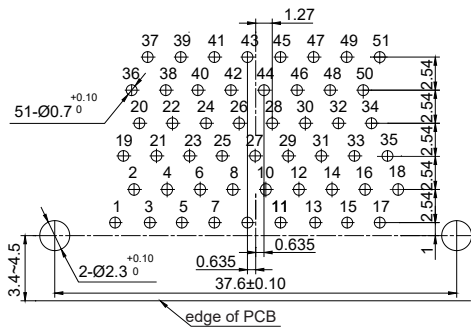
R04JC-25RHF-Q



R04JC-31RHF-Q



R04JC-37RHF-Q



R04JC-51RHF-Q

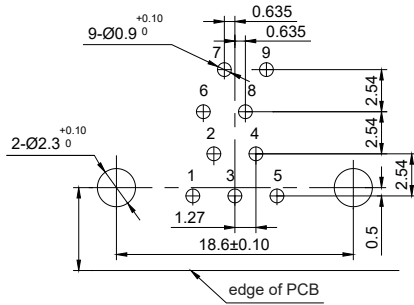
Remark: All dimensions are in mm.



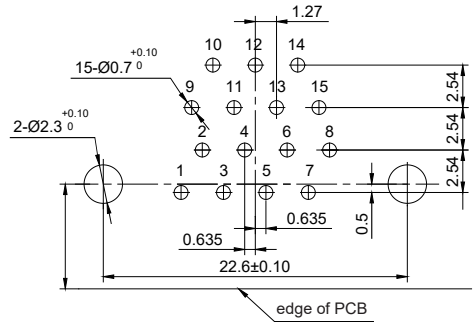


## R04JA Series Right Angle to PCB Connectors Basic Type--PCB Layout

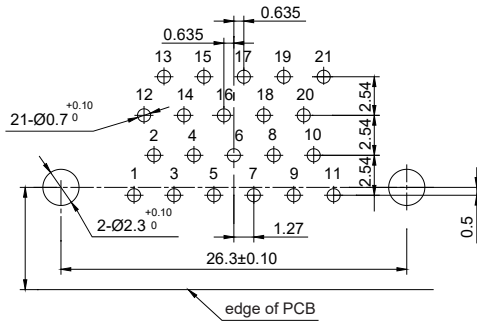
- Patterns Shown are for Connectors Mounting Side of PC Board
- PCB Layout: 2.54\*2.54mm
- Receptacle Connectors: R04JA-9~51RHF



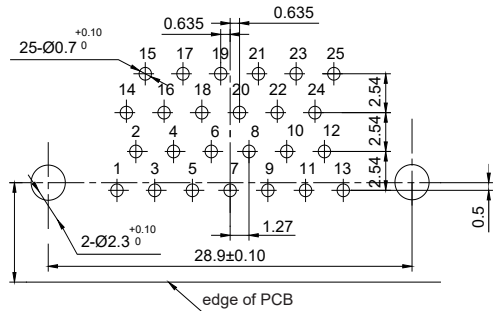
R04JA-9RHF



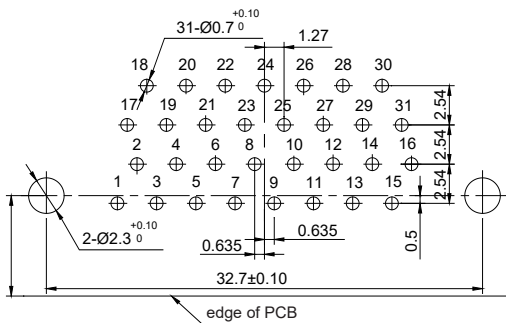
R04JA-15RHF



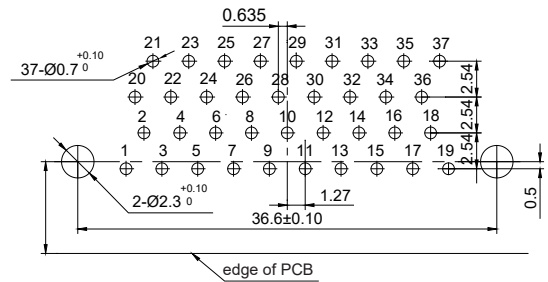
R04JA-21RHF



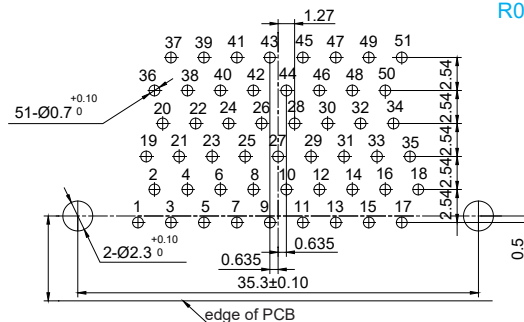
R04JA-25RHF



R04JA-31RHF



R04JA-37RHF

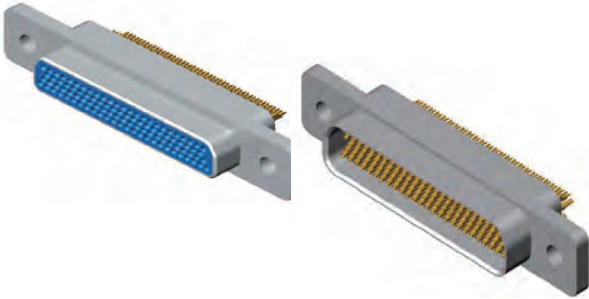


R04JA-51RHF

Remark: All dimensions are in mm.

# MIL-DTL-83513 Micro-D Connectors

## R04J Series Solder Cup Connectors



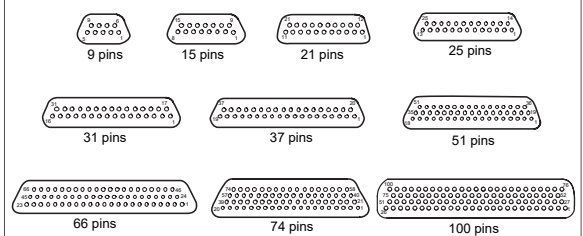
### Brief Introduction

- Micro-D Connectors
- Twist Pin Contacts, High Density
- Metal Shell, Nickel or Cadmium Plating
- Solder Cup Connectors
- Meets MIL-DTL-83513

### Specifications

- Environment Temperature: -55°C~+125°C
- Vibration: 10Hz~2000Hz, 196m/s<sup>2</sup>
- Random Vibration: Power spectrum density 0.4G<sup>2</sup>/Hz  
root mean square value of total acceleration 23.1G
- Shock: 735m/s<sup>2</sup> 11sm
- Rated Current: 3A
- Contact Resistance: ≤10mΩ
- Insulation Resistance: ≥5000MΩ
- Dielectric Strength: 800V
- Durability: 500 times

### Contact Arrangements



### How To Order

<b>Sample Part Number</b>	<b>R04J</b>	<b>-25</b>	<b>PI</b>	<b>J</b>	<b>W</b>	<b>G</b>	<b>A3</b>
<b>Series:</b>	R04J—Standard Type R04JS—Glue Sealing R04JS1—Glass-Sintered Sealing (See page 51 to 52)						
<b>Contact Number:</b>	9, 15, 21, 25, 31, 37, 51, 66, 74, 100pins						
<b>Contact Type :</b>	PI—Pin in Plug          RH—Socket in Receptacle						
<b>Tail Termination Type:</b>	J—Solder Cup						
<b>Locking Hardware Type:</b>	W—Locking Hardware (See page 47)		No Code—No Locking Hardware				
<b>Shell Material and Finish :</b>	G—Aluminum Shell, Cadmium Plating		No Code—Aluminum Shell, Nickel Plating				
<b>Cable Clamp Type:</b>	A3—Cable Clamp (See page 48)		No Code—No Cable Clamp				



## Free End Locking Hardware For R04J Series Solder Cup Connectors



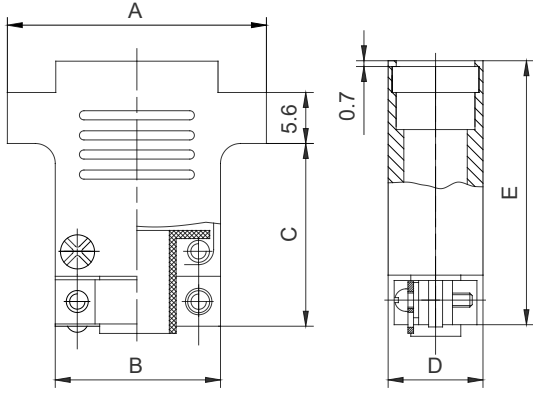
Type	A	B	Outline Dimensions	Assembly Picture	Matched with Locking Hardware
W	M2-6h	7.1			Q, Q0, Q2, Q3, Q4, Q5, Q7, Q8, Q9, Q10, Q11, Q14, Q15, Q17, Q23, Q25, Q29, Q32, Q35, Q36, Q37, Q41, Q42, Q43, Q45, Q46
W8	#2-56UNC-2A	7.1			Q1
W7	M2-6h	7.1			Q, Q0, Q2, Q3, Q4, Q5, Q7, Q8, Q9, Q10, Q11, Q14, Q15, Q17, Q23, Q25, Q29, Q32, Q35, Q36, Q37, Q41, Q42, Q43, Q45, Q46
N	M2-6h				Q, Q0, Q2, Q3, Q4, Q5, Q7, Q8, Q9, Q10, Q11, Q14, Q15, Q17, Q23, Q25, Q29, Q32, Q35, Q36, Q37, Q41, Q42, Q43, Q45, Q46
N1	#2-56UNC-2A				Q1

## Fixed End Locking Hardware For R04J Series Solder Cup Connectors

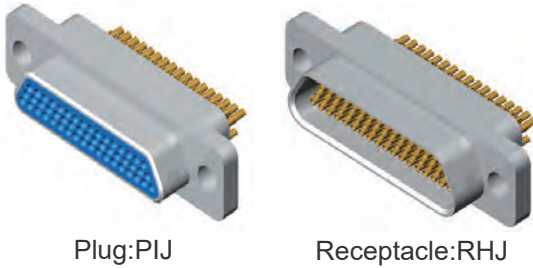
Type	A	B	C	Outline Dimensions	Assembly Picture	Matched with Locking Hardware	
Q	M2-6h	M2-6h	12.6			W, W7, W9, N	
Q1	#2-56UNC-2B	#2-56UNC-2A	12.6			W8, N1	Note: Use with front panel mounting solder cup connectors
Q8	M2-6h	M2-6h	15.6			W, W7, W9, N	
Q9	M2-6h	M2-6h	21.6			W, W7, N	
Q0	4.1	0.6	12.6			W, W7, W9, N	
Q3	3.3	1.4	12.6			Note: Use with rear panel mounting solder cup connectors	
Q4	2.5	2.2	12.6				
Q11	1.3	3.4	12.6				
Q45	2.7	2	20				
Q29	M3-6h	10.5	3.3min			W, W7, W9, N	
Q36	M3-6h	14.7	6min			Note: 1. Use with front panel mounting solder cup connectors 2. For R04JS series	
Q37	M2-6h	10	2.8min				
Q43	M3-6h	11.7	4min				
Q44							Note: 1. No need to lock with free end locking hardware 2. Front panel mounting, "A" dimension is 2.5~3.5mm 3. Rear panel mounting, (1) Mated with connectors without locking hardware, "A" dimension is 3.5mm max (2) Mated with connectors with fixed end locking hardware, "A" dimension is 4.9mm minus 1.3mm (The distance between bolt and flange of connector)

Remark: 1. Fixed end locking hardware apply to fix the connectors on the mounting panels or the PCB. Most fixed end locking hardware can be mated with free end locking hardware, but a little can not. (eg. Q44)  
2. All dimensions are in mm.

### R04J Series A3 Cable Clamp

Stereogram	 	Outline Dimensions				
		Pin Count	A	B	C	D
<b>Outline Dimensions</b> 	9	19.6	9.9	18.2	10.4	27
	15	23.5	13.8	18.2	10.4	27
	21	27.4	17.6	19.2	10.4	28
	25	29.8	20.2	19.2	10.4	28
	31	33.6	24	19.2	10.4	28
	37	37.4	27.8	19.2	10.4	28
	51	36.4	26.6	21.2	11.2	30
<b>Using Conditions</b> 1.For R04J Solder Cup Basic Type 2.For R04J Crimp Basic Type	66	42.9	29.1	21.2	11.2	30
	74	38.8	29.1	21.2	12	30
	100	54.7	40.7	21.2	12	30

### R04J Series Solder Cup Connectors - Basic Type



- **Shell Plating:** Nickel or Cadmium
- **The Spacing of Arrangements of The Tail:** 1.27x1.1mm
- **Termination Type:** Solder Cup
- **Contacts:**  
R04J- 9, 15, 21, 25, 31, 37, 51, 66, 74, 100 PIJ/RHJ

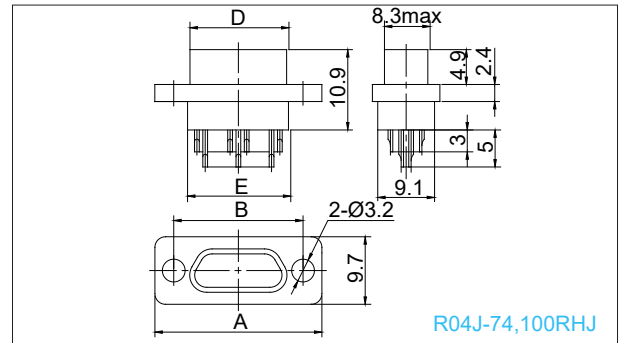
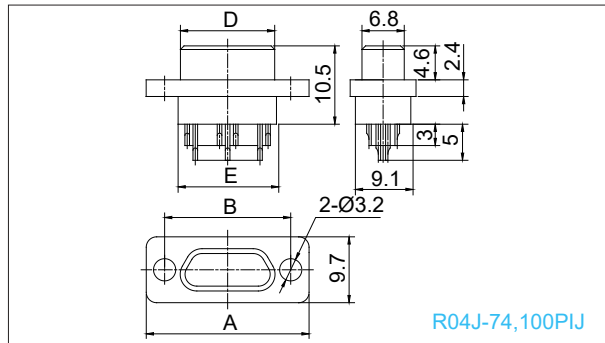
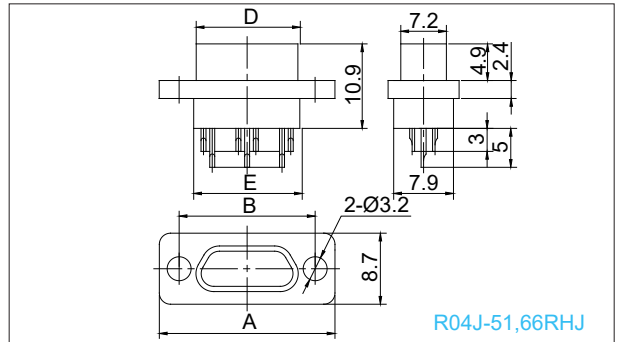
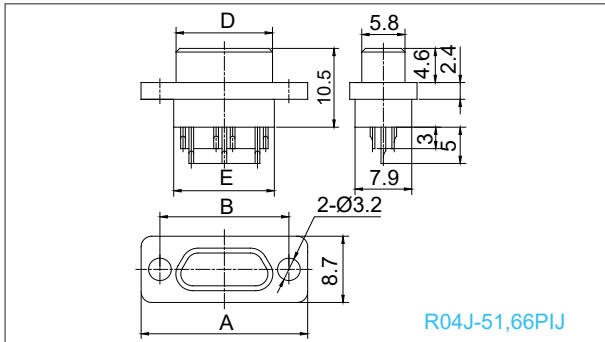
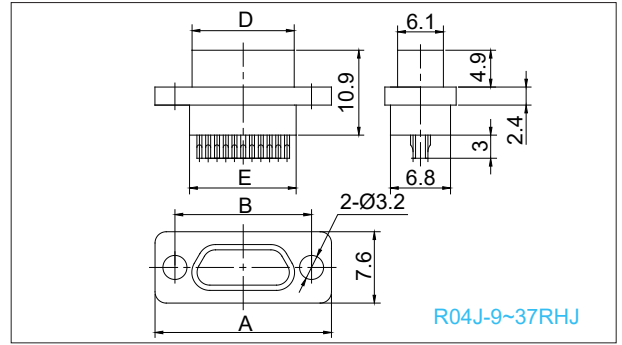
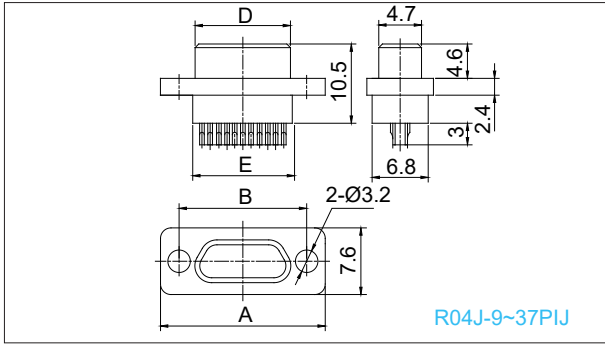
### R04J Series Solder Cup Basic Type Assembled With Cable Clamp



Remark:1.Example of R04J series solder cup connectors with A3 cable clamp.  
2.All dimensions are in mm.



## Outline Dimensions

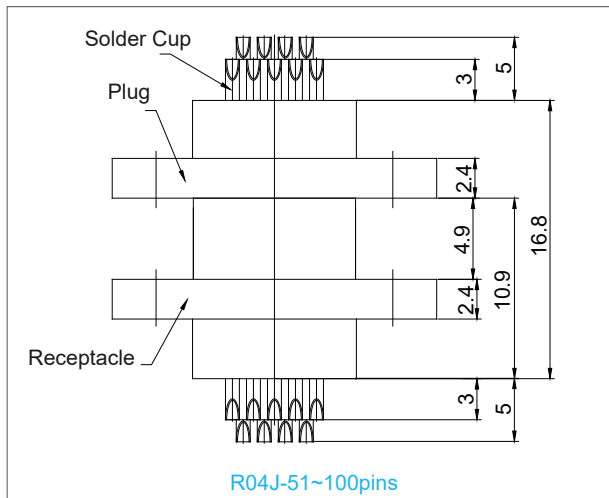
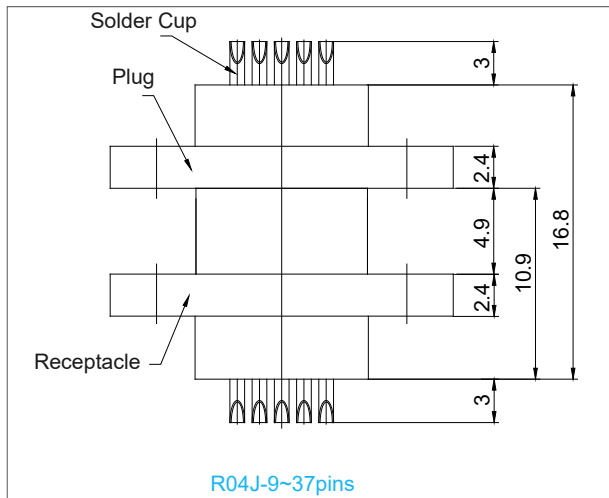


Part Number	A	B	D		E
			PIJ	RHJ	
R04J-9PIJ/RHJ	19.6	14.3	8.3	9.8	9.9
R04J-15PIJ/RHJ	23.5	18.2	12.3	13.7	13.8
R04J-21PIJ/RHJ	27.4	22	16	17.4	17.6
R04J-25PIJ/RHJ	29.8	24.5	18.6	20	20.2
R04J-31PIJ/RHJ	33.6	28.3	22.4	23.8	24
R04J-37PIJ/RHJ	37.4	32.2	26.3	27.7	27.8
R04J-51PIJ/RHJ	36.4	30.86	25	26.5	26.6
R04J-66PIJ/RHJ	42.9	37.3	31.4	32.9	33
R04J-74PIJ/RHJ	38.8	33.5	27.5	29	29.1
R04J-100PIJ/RHJ	54.7	45.7	35	36.6	36.3

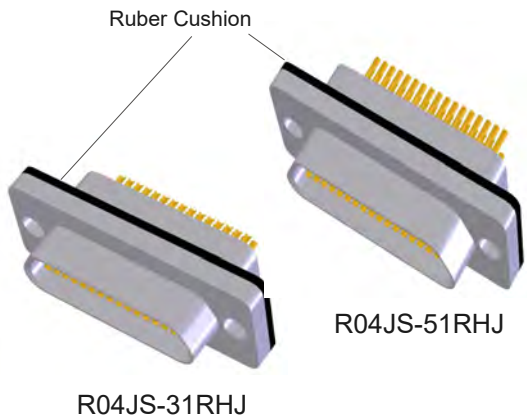
Remark: All dimensions are in mm.



### Outline Dimensions After Mating (Without A3 Cable Clamp)

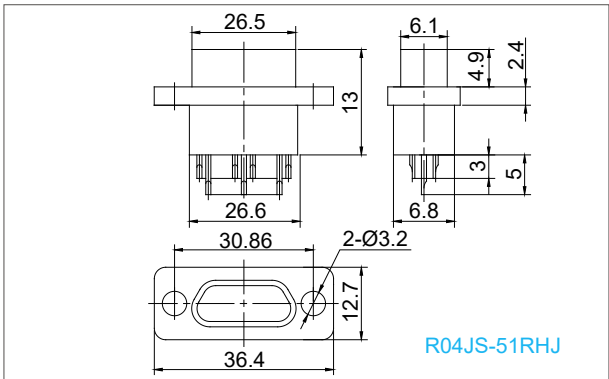
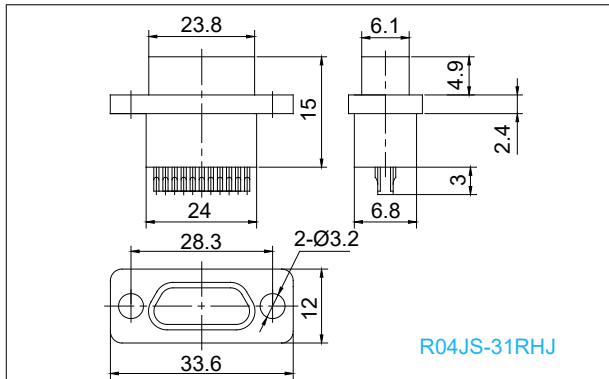


### R04J Series Solder Cup Type - Glue Sealing Connectors



- Shell Plating: Nickel or Cadmium
- The Spacing of Arrangements of The Tail: 1.27x1.1mm
- Termination Type: Solder Cup
- The Flange with A Rubber Cushion, Thickness: 1mm
- Glue Sealing Connectors (Receptacle Only)
- The Air Leakage Rate:  $5 \times 10^{-2} \text{Pa} \cdot \text{CM}^3/\text{s}$
- Insulation Resistance:  $\geq 2000 \text{M}\Omega$
- Contacts: R04JS-31, 51RHJ

### Outline Dimensions



Remark: All dimensions are in mm.



## R04J Series Solder Cup Type - Glass-Sintered Sealing Connectors



- **Shell:** Kovar Alloy Shell, Gold Plating
- **The Spacing of Arrangements of The Tail:** 1.27x1.1mm
- **Termination Type:** Solder Cup
- **The Flange with A Rubber Cushion, Thickness:** 1mm
- **Glass-Sintered Sealing Connectors (Receptacle Only)**
- **The Air Leakage Rate:**  $1 \times 10^{-3} \text{Pa} \cdot \text{CM}^3/\text{s}$
- **Insulation Resistance:**  $\geq 5000 \text{M}\Omega$
- **Contact Resistance:**  $\leq 30 \text{m}\Omega$
- **Dielectric Strength:** 600Vr.m.s
- **Contacts:** R04JS1-9, 15, 21, 25, 31, 37, 51RHJ
- **Other Performance is The Same as R04J Standard Type**

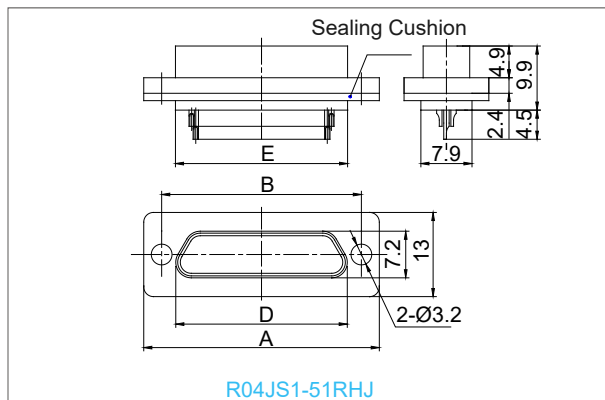
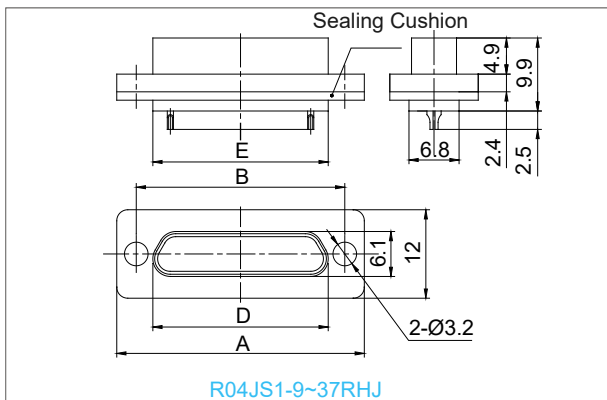
### How To Order

<b>Sample Part Number</b>	R04JS1	-25	RH	J	Q29	K	-A3
<b>Series:</b>	R04JS1—Glass-Sintered Sealing(Receptacle Only)						
<b>Contact Number:</b>	9, 15, 21, 25, 31, 37, 51pins						
<b>Contact Type :</b>	RH—Socket in Receptacle						
<b>Tail Termination Type:</b>	J—Solder Cup						
<b>Locking Hardware Type:</b>	Q29, Q36, Q37, Q43 (See page 47)		No Code—No Locking Hardware				
<b>Shell Material and Finish :</b>	K—Kovar Alloy Shell, Gold Plating						
<b>Cable Clamp Type:</b>	A3—Cable Clamp (See page 48)		No Code—No Cable Clamp				

Remark: This product is front panel mounting, we suggest using non-through threaded mounting hole.

Matching with locking hardware Q29, Q36, Q37, Q43. other mounting types need to be customized.

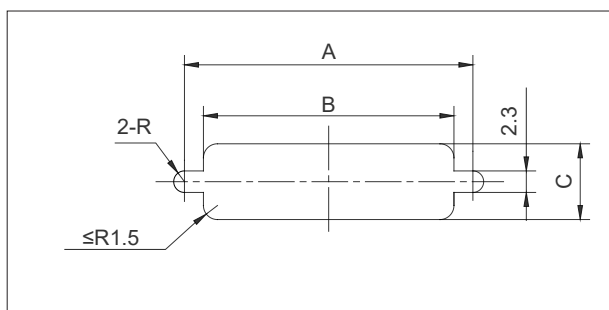
### Outline Dimensions



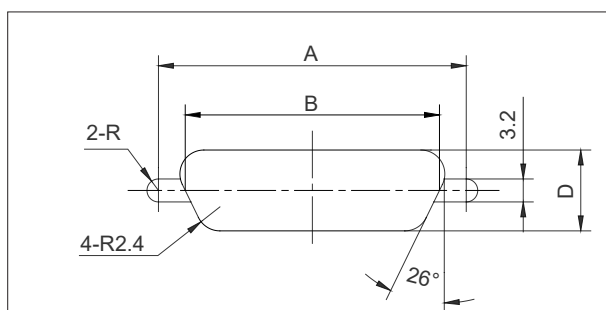
Part Number	A	B	D	E
R04JS1-9RHJ	19.6	14.3	9.8	9.7
R04JS1-15RHJ	23.5	18.2	13.7	13.6
R04JS1-21RHJ	27.4	22	17.4	17.4
R04JS1-25RHJ	29.8	24.5	20	20
R04JS1-31RHJ	33.6	28.3	23.8	23.8
R04JS1-37RHJ	37.4	32.2	27.7	27.6
R04JS1-51RHJ	36.4	30.86	26.5	26.4

### Solder Cup Types (R04JS and R04JS1) - Mounting Hole Dimensions

■ Suitable For Products: R04JS-\*RHJ and R04JS1-\*RHJ



Mounting Hole Dimensions For Front Panel Mounting



Mounting Hole Dimensions For Rear Panel Mounting

Contact Nos	A	B	C	D	Contact Nos	A	B	C	D
9 pins	14.3	10.2	7	6.3	37 pins	32.2	28.1	7	6.3
15 pins	18.2	14.1	7	6.3	51 pins	30.86	26.9	8.1	7.4
21 pins	22	17.9	7	6.3	66 pins	37.3	33.4	8.1	7.4
25 pins	24.5	20.5	7	6.3	74 pins	33.5	29.4	9.3	8.6
31 pins	28.3	24.3	7	6.3	100 pins	45.7	37	9.3	8.6

Remark: 1. R04JS and R04JS1 are both sealing products, we suggest using non-through threaded mounting hole for front panel mounting.

2. All dimensions are in mm.



