



Company Profile:

Sunkye International Co., Limited.(Connector) Business Group, with sixty five years of experience, specializes in designing and producing connectors, related components and cables. A wide range of connector products, twist pin connector, optical fiber connector, RF coaxial connector, separable connector, custom and application-

Company profile

specific connector, etc, which are widely used in military area: aerospace, aviation, electrical, ship-building, defense system, etc and civil area: communication, telecom, automotive, rail, etc.

Design team focuses on meeting customers' requirement with continuous innovative technology, manufacture team provides high quality products by utilizing advanced equipments in standardized processes to ensure customers' benefits.

Sunkye is ISO 9001 certified, UL, VDE, CE certification passed, and ensures products quality by testing in realistic conditions with advanced test facilities, professional test employees.

Sunkye team is committed to offering high quality products, best service, prompt delivery and competitive price for you.



Manufacture Equipment:

Five-Axis CNC, AGIE EDM, SODICK WEDM-LS, 40G Vector Network Analyzers, Vacuum Heat Treatment Equipment, Glass-sintered System, Laser Processing Center, High Velocity Ram Machine, Gold, Nickel and Cadmium Plating Production Line, Thermosetting Injection Machine, Thermoplastic Injection Machine, Swiss Automatic Lathe, etc.

Test Facilities:

Comprehensive Test Instrument of Temperature, Humidity and Vibration; Experimental Box of Temperature and Shock; layer thickness meter; Coordinate Measurement Machine, etc.



www.sunhye.com

MIL-DTL-83513 Micro-D Connectors

SUNHYE



CONTENT

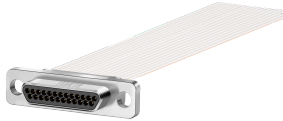


MIL-DTL-83513 Micro-D Connectors
R04A Series Crimping Connectors

MIL-DTL-83513 Micro-D Connectors

R04A Series Crimping Connectors

Brief Introduction

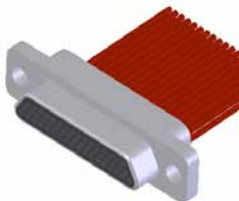


- Micro-D Connectors
- Twist Pin Contacts, High Density
- Metal Shell, Nickel or Cadmium Plating
- Crimping Connectors
- The Sectional Area of Cable: 0.1mm~0.15mm, 0.07mm
- Meets MIL-DTL-83513

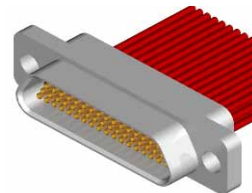
Specifications

- | | |
|----------------------------|---|
| ■ Environment Temperature: | -55°C~+125°C |
| ■ Vibration: | 10Hz~2000Hz, 196m/s ² |
| ■ Random Vibration: | Power spectrum density 0.4G ² /Hz, root mean square value of total acceleration 23.1G. |
| ■ Shock: | 735m/s ² 11ms |
| ■ Rated Current: | 3A |
| ■ Contact Resistance: | ≤10mΩ |
| ■ Insulation Resistance: | ≥5000MΩ |
| ■ Dielectric Strength: | 800V |
| ■ Durability: | 500 times |

Product Stereogram

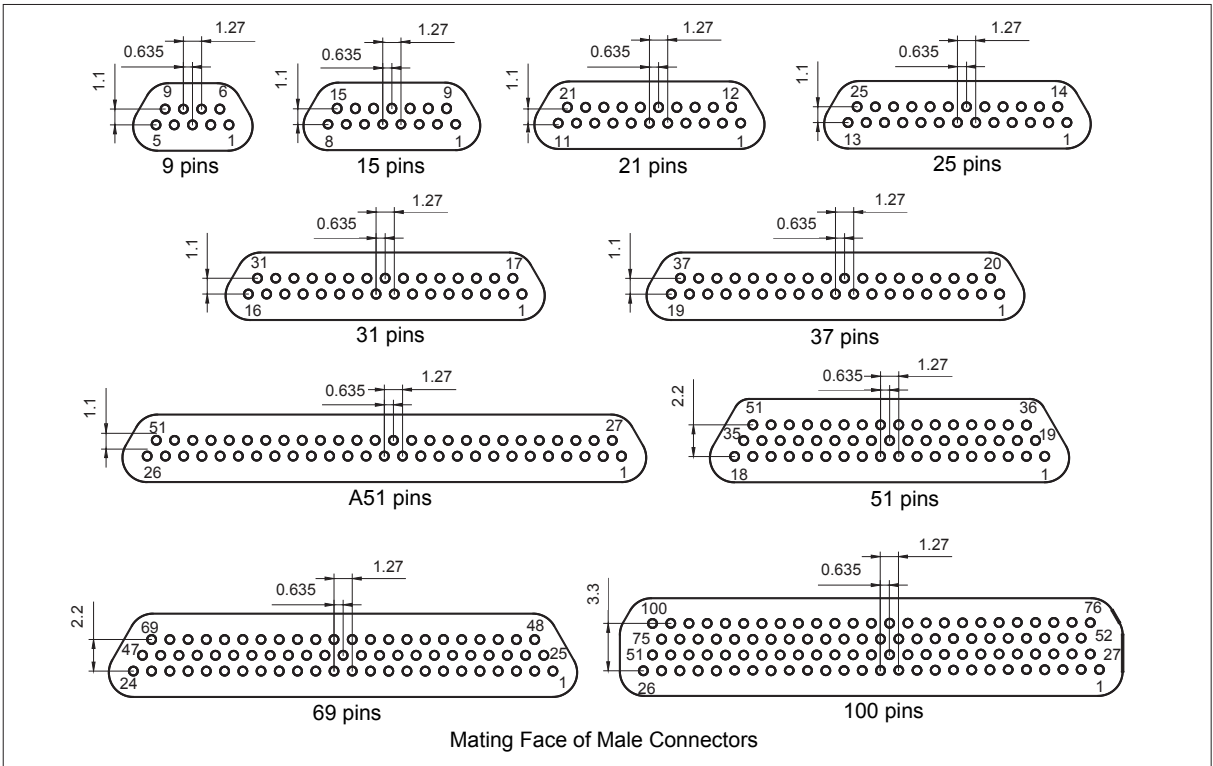


Plug



Receptacle

Contact Arrangements

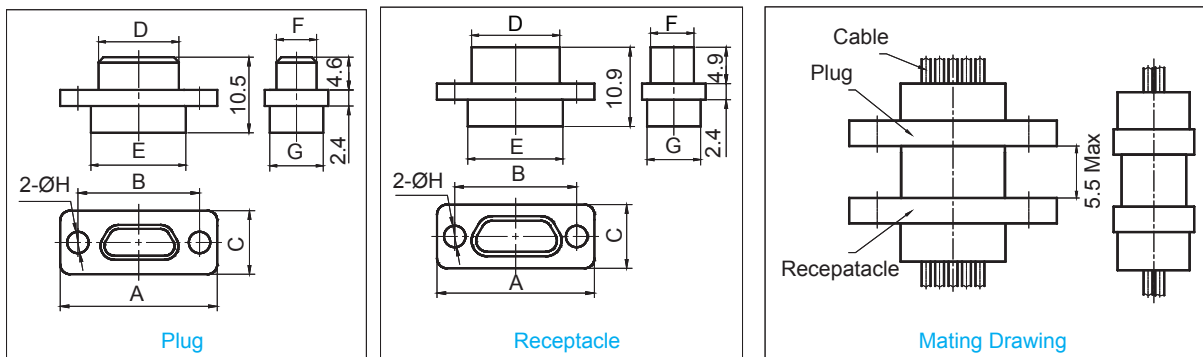


How To Order

Sample Part Number	R04A	-31	PI	B01	G	AA	-26	9	10
Series:	R04A—Micro-D Connectors for MIL-DTL-83513								
Contact Number:	9, 15, 21, 25, 31, 37, A51, 51, 69, 100pins								
Contact Type:	PI—Pin in Plug			RH—Socket in Receptacle					
Locking Hardware Type:	B01—Locking Hardware (See page 4 to 8)			No Code—No Locking Hardware					
Shell Material And Finish:	G—Aluminum Shell, Cadmium Plating			No Code—Aluminum Shell, Nickel Plating					
Backshell Type:	AA—Backshell Type (See page 9 to 11)			No Code—No Backshell					
Wire Gage:	26—AWG26								
Wire Color:	9—White Color			T—Ten Color Repeating					
Wire Length:	10—Wire Length in cm. "10" Specifies 10 cm								

R04A Series Crimping Connectors

Outline Dimensions



Part Number	Outline Dimensions							
	A	B	C	D	E	F	G	H
R04A-9PI	19.6	14.3	7.6	8.4	9.9	4.7	6.8	2.31
R04A-15PI	23.5	18.2	7.6	12.3	13.8	4.7	6.8	2.31
R04A-21PI	27.3	22	7.6	16.1	17.6	4.7	6.8	2.31
R04A-25PI	29.8	24.5	7.6	18.6	20.2	4.7	6.8	2.31
R04A-31PI	33.6	28.3	7.6	22.4	24	4.7	6.8	2.31
R04A-37PI	37.4	32.1	7.6	26.2	27.8	4.7	6.8	2.31
R04A-A51PI	46.3	41	7.6	35	36.7	4.7	6.8	2.31
R04A-51PI	36.2	30.9	8.7	25	26.6	5.8	7.9	2.31
R04A-69PI	43.8	38.5	8.7	32.6	34.2	5.8	7.9	2.31
R04A-100PI	54.7	45.7	9.7	35.1	36.6	6.8	9.1	3.7
R04A-9RH	19.6	14.3	7.6	9.9	9.9	6.1	6.8	2.31
R04A-15RH	23.5	18.2	7.6	13.7	13.8	6.1	6.8	2.31
R04A-21RH	27.3	22	7.6	17.5	17.6	6.1	6.8	2.31
R04A-25RH	29.8	24.5	7.6	20.1	20.2	6.1	6.8	2.31
R04A-31RH	33.6	28.3	7.6	23.9	24	6.1	6.8	2.31
R04A-37RH	37.4	32.1	7.6	27.7	22.8	6.1	6.8	2.31
R04A-A51RH	46.3	41	7.6	36.5	36.7	6.1	6.8	2.31
R04A-51RH	36.2	30.9	8.7	26.5	26.6	7.2	7.9	2.31
R04A-69RH	43.8	38.5	8.7	34.1	34.2	7.2	7.9	2.31
R04A-100RH	54.7	45.7	9.7	36.6	36.6	8.3	9.1	2.31

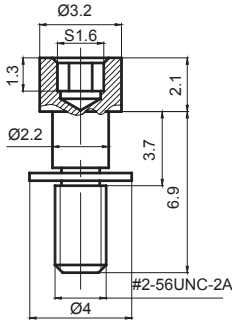
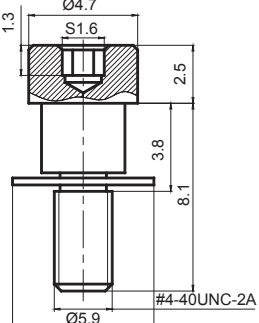
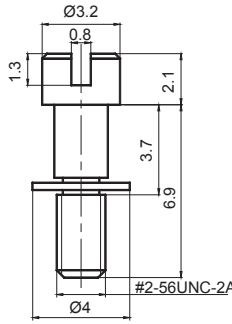
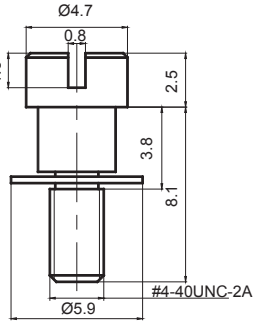
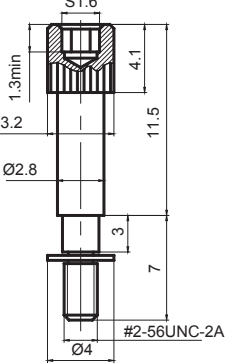
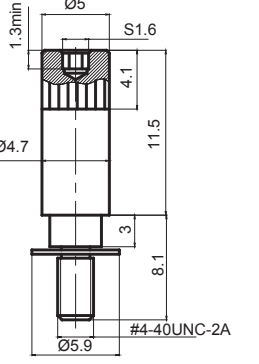
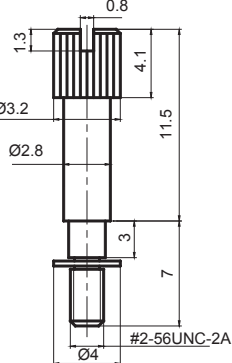
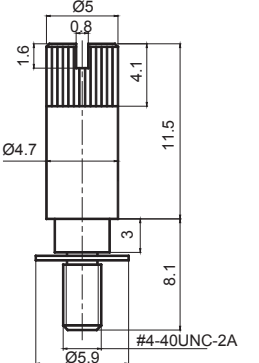
Remark: All dimensions are in mm.

Locking Hardware

Code	Feature	Outline Dimensions	
		9~69pins	100pins
B01	<ol style="list-style-type: none"> Removable Short Jackscrew with A Retainer Ring Hex Head 		
B02	<ol style="list-style-type: none"> Removable Short Jackscrew with A Retainer Ring Slot Head 		
B03	<ol style="list-style-type: none"> Removable Long Jackscrew with A Retainer Ring Hex Head 		
B04	<ol style="list-style-type: none"> Removable Long Jackscrew with A Retainer Ring Hex Head 		

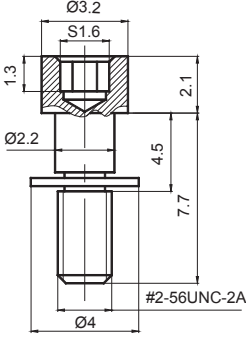
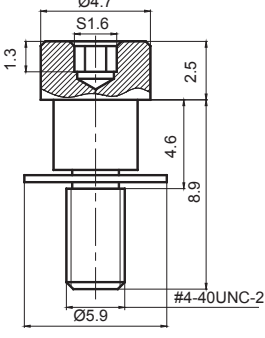
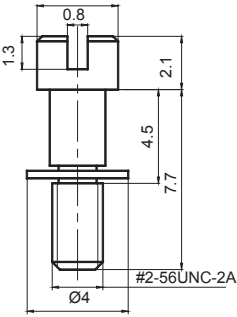
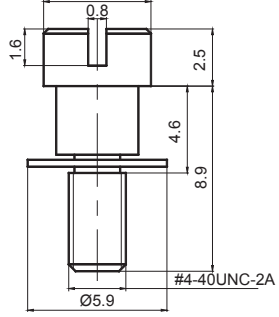
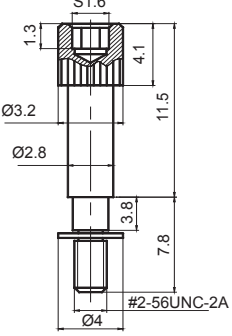
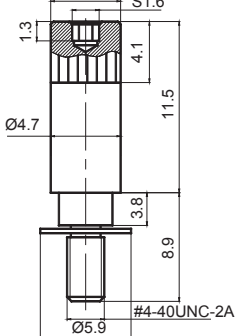
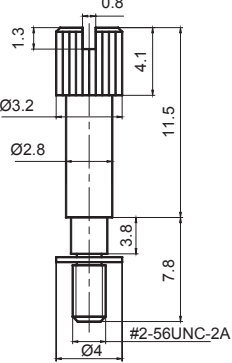
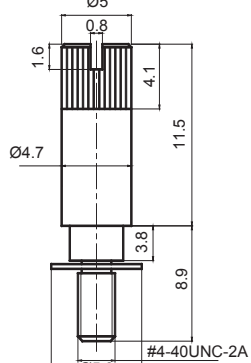
Remark: All dimensions are in mm.

Locking Hardware

Code	Feature	Outline Dimensions	
		9~69pins	100pins
B05	<ol style="list-style-type: none"> 1. Removable 2. Short Jackscrew with A Retainer Ring 3. Hex Head 4. For Connectors with AA, AB, AC, AD or AG Type Backshells 		
B06	<ol style="list-style-type: none"> 1. Removable 2. Short Jackscrew with A Retainer Ring 3. Slot Head 4. For Connectors with AA, AB, AC, AD or AG Type Backshells 		
B07	<ol style="list-style-type: none"> 1. Removable 2. Long Jackscrew with A Retainer Ring 3. Hex Head 4. For Connectors with AA, AB, AC, AD or AG Type Backshells 		
B08	<ol style="list-style-type: none"> 1. Removable 2. Long Jackscrew with A Retainer Ring 3. Slot Head 4. For Connectors with AA, AB, AC, AD or AG Type Backshells 		

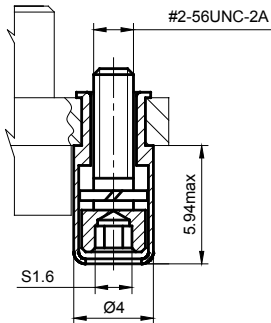
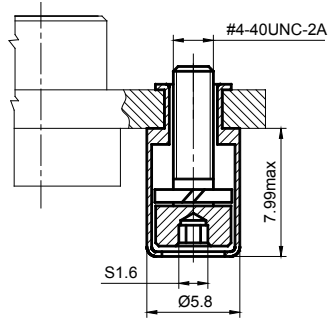
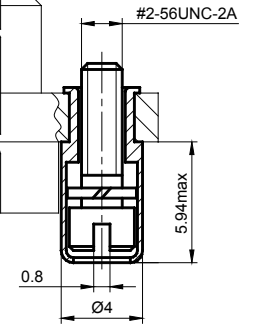
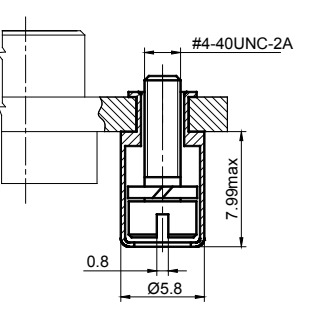
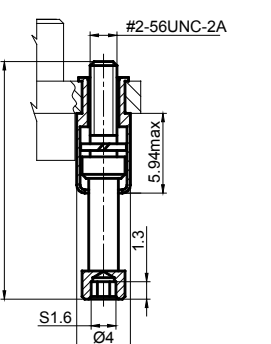
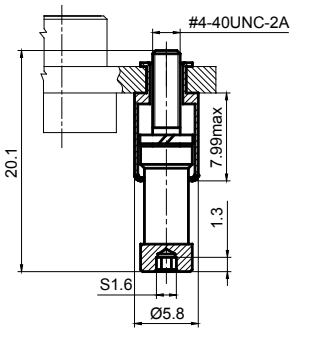
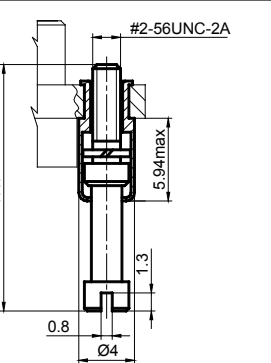
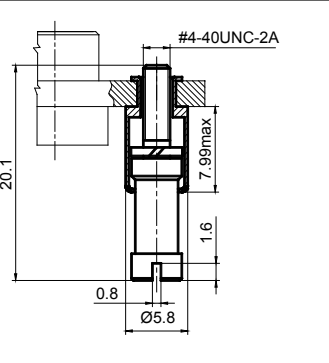
Remark: All dimensions are in mm.

Locking Hardware

Code	Feature	Outline Dimensions	
		9~69pins	100pins
B10	<ol style="list-style-type: none"> Removable Short Jackscrew with A Retainer Ring Hex Head For Connectors with AH or AJ Type Backshells 		
B11	<ol style="list-style-type: none"> Removable Short Jackscrew with A Retainer Ring Slot Head For Connectors with AH or AJ Type Backshells 		
B12	<ol style="list-style-type: none"> Removable Long Jackscrew with A Retainer Ring Hex Head For Connectors with AH or AJ Type Backshells 		
B13	<ol style="list-style-type: none"> Removable Long Jackscrew with A Retainer Ring Slot Head For Connectors with AH or AJ Type Backshells 		

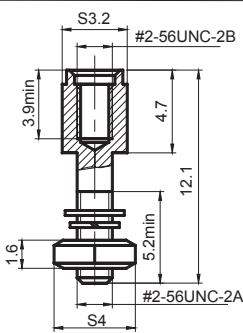
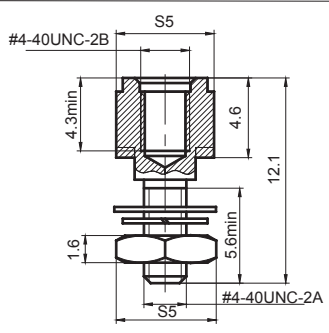
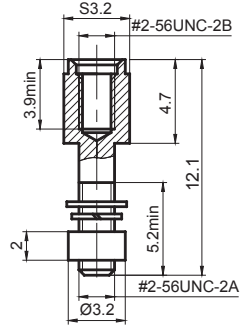
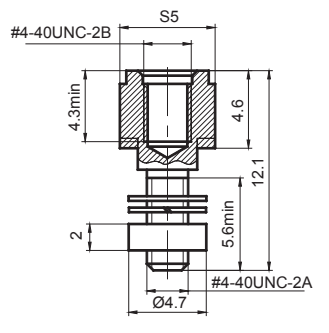
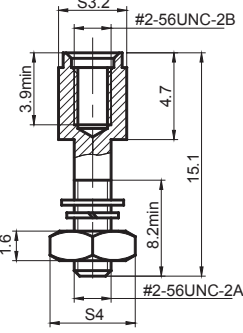
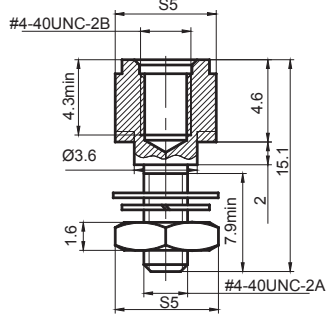
Remark: All dimensions are in mm.

Locking Hardware

Code	Feature	Outline Dimensions	
		9~69pins	100pins
S01	<ol style="list-style-type: none"> 1. Non-Removable 2. Short Jackscrew with A Retainer Sleeve 3. Hex Head 		
S02	<ol style="list-style-type: none"> 1. Non-Removable 2. Short Jackscrew with A Retainer Sleeve 3. Slot Head 		
S03	<ol style="list-style-type: none"> 1. Non-Removable 2. Long Jackscrew with A Retainer Sleeve 3. Hex Head 		
S04	<ol style="list-style-type: none"> 1. Non-Removable 2. Long Jackscrew with A Retainer Sleeve 3. Slot Head 		

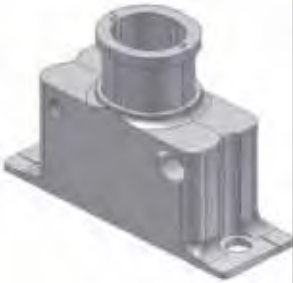
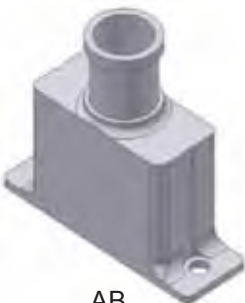

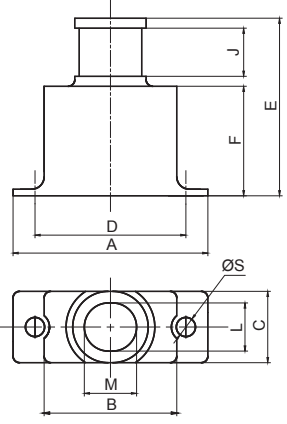


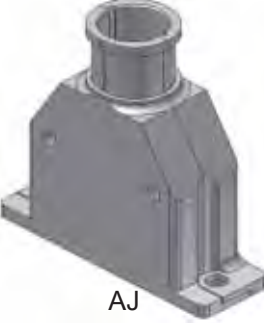

Remark: All dimensions are in mm.

Locking Hardware

Code	Feature	Outline Dimensions	
		9~69pins	100pins
N01	<ol style="list-style-type: none"> 1. Jackpost 2. Hex Head 3. For Front Panel Mounting 4. Panel Thickness is Not More Than 2mm 		
N06	<ol style="list-style-type: none"> 1. Jackpost 2. Hex Head 3. For Connectors with Backshells 		
N07	<ol style="list-style-type: none"> 1. Jackpost 2. Hex Head 3. For Front Panel Mounting 4. Panel Thickness is Not More Than 5mm 		

Remark: All dimensions are in mm.

Backshells

Stereogram & Feature			Outline Dimensions
 <p>AA</p> <p>AA Style: Two-Piece, Standard Type</p>	 <p>AB</p> <p>AB Style: One-Piece, Standard Type</p>	 <p>AC</p> <p>AC Style: One-Piece, Wide Entry</p>	 <p>Technical drawings showing dimensions: A, B, C, D, E, F, G, H, I, J, K, L, M, N, O, P, Q, R, S, T, U, V, W, X, Y, Z.</p>
 <p>AD</p> <p>AD Style: Two-Piece, Elongated Type</p>	 <p>AH</p> <p>AH Style: Two-Piece, Non-Skid Type</p>	 <p>AJ</p> <p>AJ Style: Two-Piece, Non-Skid and Elongated Type</p>	
 <p>AG</p> <p>AG Style: One-Piece, Standard Type With 90° Entry</p>			

Remark: All dimensions are in mm.

Outline Dimensions Of Backshells

Part Numbers	Outline Dimensions									
	A	B	C	D	E	F	J	ØS	L	M
R04A-9-AA	19.6	12.1	8.7	14.3	21.4	13.2	5.8	2.31	-	4.7
R04A-15-AA	23.5	16	8.7	18.2	21.4	13.2	5.8	2.31	-	5.8
R04A-21-AA	27.3	19.8	8.7	22	21.4	13.2	5.8	2.31	-	6.5
R04A-25-AA	29.8	22.3	8.7	24.5	21.4	13.2	5.8	2.31	6.6	7.9
R04A-31-AA	33.6	26.1	8.7	28.3	21.4	13.2	5.8	2.31	6.6	8.4
R04A-37-AA	37.4	29.9	8.7	32.1	21.4	13.2	5.8	2.31	6.6	9.5
R04A-A51-AA	46.3	38.8	8.7	41	21.4	13.2	5.8	2.31	6.6	13.1
R04A-51-AA	36.2	28.7	9.7	30.9	23.7	15.5	5.8	2.31	7.5	11.9
R04A-69-AA	43.8	36.3	9.7	38.5	23.7	15.5	5.8	2.31	7.5	15.7
R04A-100-AA	54.7	38.8	11	45.7	24.2	16	5.8	3.7	8.7	17.5
R04A-9-AB	19.6	11.2	8.7	14.3	21.4	13.2	5.8	2.31	-	4.7
R04A-15-AB	23.5	15	8.7	18.2	21.4	13.2	5.8	2.31	-	5.8
R04A-21-AB	27.3	18.8	8.7	22	21.4	13.2	5.8	2.31	-	6.5
R04A-25-AB	29.8	21.4	8.7	24.5	21.4	13.2	5.8	2.31	6.7	7.8
R04A-31-AB	33.6	25.2	8.7	28.3	21.4	13.2	5.8	2.31	6.7	8.3
R04A-37-AB	37.4	29	8.7	32.1	21.4	13.2	5.8	2.31	6.7	9.5
R04A-A51-AB	46.3	37.9	8.7	41	21.4	13.2	5.8	2.31	6.7	13
R04A-51-AB	36.2	27.8	9.7	30.9	23.7	15.5	5.8	2.31	7.5	11.9
R04A-69-AB	43.8	35.4	9.7	38.5	23.7	15.5	5.8	2.31	7.5	15.7
R04A-100-AB	54.7	38.7	11	45.7	24.2	16	5.8	3.7	8.7	17.4
R04A-9-AC	19.6	11.2	8.7	14.3	21.4	13.2	5.8	2.31	6.7	7.9
R04A-15-AC	23.5	15	8.7	18.2	21.4	13.2	5.8	2.31	6.7	11.6
R04A-21-AC	27.3	18.8	8.7	22	21.4	13.2	5.8	2.31	6.7	15.4
R04A-25-AC	29.8	21.4	8.7	24.5	21.4	13.2	5.8	2.31	6.7	18
R04A-31-AC	33.6	25.2	8.7	28.3	21.4	13.2	5.8	2.31	6.7	21.8
R04A-37-AC	37.4	29	8.7	32.1	21.4	13.2	5.8	2.31	6.7	25.6
R04A-A51-AC	46.3	37.9	8.7	41	21.4	13.2	5.8	2.31	6.7	26.2
R04A-51-AC	36.2	27.8	9.7	30.9	23.7	15.5	5.8	2.31	7.5	23.4
R04A-69-AC	43.8	35.4	9.7	38.5	23.7	15.5	5.8	2.31	7.5	29.4
R04A-100-AC	54.7	38.7	11	45.7	24.2	16	5.8	3.7	8.7	34.1
R04A-9-AD	19.6	12.1	8.7	14.3	29.4	21.2	5.8	2.31	-	4.7
R04A-15-AD	23.5	16	8.7	18.2	29.4	21.2	5.8	2.31	-	5.8
R04A-21-AD	27.3	19.8	8.7	22	29.4	21.2	5.8	2.31	-	6.5
R04A-25-AD	29.8	22.3	8.7	24.5	29.4	21.2	5.8	2.31	6.6	7.9
R04A-31-AD	33.6	26.1	8.7	28.3	29.4	21.2	5.8	2.31	6.6	8.4
R04A-37-AD	37.4	29.9	8.7	32.1	29.4	21.2	5.8	2.31	6.6	9.5
R04A-A51-AD	46.3	38.8	8.7	41	29.4	21.2	5.8	2.31	6.6	13.1
R04A-51-AD	36.2	28.7	9.7	30.9	31.7	23.5	5.8	2.31	7.5	11.9
R04A-69-AD	43.8	36.3	9.7	38.5	31.7	23.5	5.8	2.31	7.5	15.7
R04A-100-AD	54.7	38.8	11	45.7	32.2	24	5.8	3.7	8.7	17.5
R04A-9-AH	19.6	11.2	8.7	14.3	21.4	13.2	5.8	2.31	-	4.7
R04A-15-AH	23.5	15	8.7	18.2	21.4	13.2	5.8	2.31	-	5.8
R04A-21-AH	27.3	18.8	8.7	22	21.4	13.2	5.8	2.31	-	6.5
R04A-25-AH	29.8	21.4	8.7	24.5	21.4	13.2	5.8	2.31	6.7	7.8

Remark: All dimensions are in mm.

Outline Dimensions Of Backshells

Part Numbers	Outline Dimensions									
	A	B	C	D	E	F	J	ØS	L	M
R04A-31-AH	33.6	25.2	8.7	28.3	21.4	13.2	5.8	2.31	6.7	8.3
R04A-37-AH	37.4	29	8.7	32.1	21.4	13.2	5.8	2.31	6.7	9.5
R04A-A51-AH	46.3	37.9	8.7	41	21.4	13.2	5.8	2.31	6.7	13
R04A-51-AH	36.2	27.8	9.7	30.9	23.7	15.5	5.8	2.31	7.5	11.9
R04A-69-AH	43.8	35.4	9.7	38.5	23.7	15.5	5.8	2.31	7.5	15.7
R04A-100-AH	54.7	38.7	11	45.7	24.2	16	5.8	3.7	8.7	17.4
R04A-9-AJ	19.6	12.1	8.7	14.3	29.4	21.2	5.8	2.31	-	4.7
R04A-15-AJ	23.5	16	8.7	18.2	29.4	21.2	5.8	2.31	-	5.8
R04A-21-AJ	27.3	19.8	8.7	22	29.4	21.2	5.8	2.31	-	6.5
R04A-25-AJ	29.8	22.3	8.7	24.5	29.4	21.2	5.8	2.31	6.6	7.9
R04A-31-AJ	33.6	26.1	8.7	28.3	29.4	21.2	5.8	2.31	6.6	8.4
R04A-37-AJ	37.4	29.9	8.7	32.1	29.4	21.2	5.8	2.31	6.6	9.5
R04A-A51-AJ	46.3	38.8	8.7	41	29.4	21.2	5.8	2.31	6.6	13.1
R04A-51-AJ	36.2	28.7	9.7	30.9	31.7	23.5	5.8	2.31	7.5	11.9
R04A-69-AJ	43.8	36.3	9.7	38.5	31.7	23.5	5.8	2.31	7.5	15.7
R04A-100-AJ	54.7	38.8	11	45.7	32.2	24	5.8	3.7	8.7	17.5
R04A-9-AG	19.6	11.2	8.7	14.3	17.3	19.4	-	2.31	-	4.7
R04A-15-AG	23.5	15	8.7	18.2	18.4	23.2	-	2.31	-	5.8
R04A-21-AG	27.3	18.8	8.7	22	19.1	27	-	2.31	-	6.5
R04A-25-AG	29.8	21.4	8.7	24.5	20.4	29.6	-	2.31	6.7	7.8
R04A-31-AG	33.6	25.2	8.7	28.3	20.9	33.4	-	2.31	6.7	8.3
R04A-37-AG	37.4	29	8.7	32.1	22.1	37.2	-	2.31	6.7	9.5
R04A-A51-AG	46.3	37.9	8.7	41	25.6	46.1	-	2.31	6.7	13
R04A-51-AG	36.2	27.8	9.7	30.9	24.5	36	-	2.31	7.5	11.9
R04A-69-AG	43.8	35.4	9.7	38.5	28.3	43.6	-	2.31	7.5	15.7
R04A-100-AG	54.7	38.7	11	45.7	30	46.9	-	3.7	8.7	17.4

Remark: All dimensions are in mm.

