

Product solid picture of straight to PCB (S type)



R04-21PIS



R04-21RHS

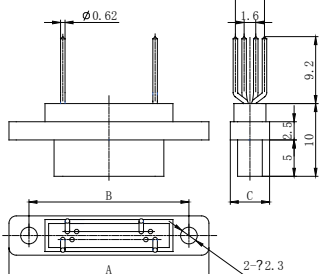


R04-51PIS

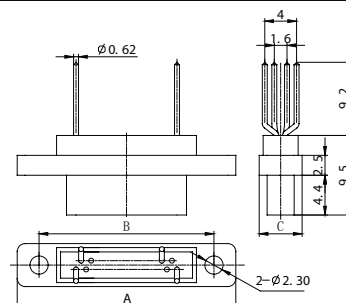


R04-51RHS

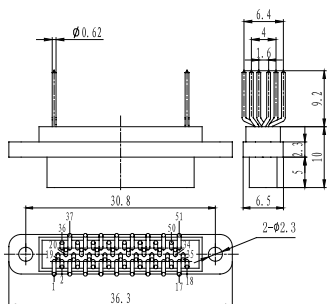
Outline dimension



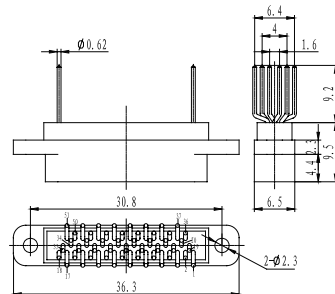
R04-9-37PIS



R04-9-37RHS



R04-51PIS



R04-51RHS

Part no.	A	B	C	Part no.	A	B	C
R04-9PIS	19.8	14.3	5.4	R04-9RHS	19.8	14.3	5.4
R04-15PIS	23.6	18.2	5.4	R04-15RHS	23.6	18.2	5.4
R04-21PIS	27.5	22	5.4	R04-21RHS	27.5	22	5.4
R04-25PIS	30	24.5	5.4	R04-25RHS	30	24.5	5.4
R04-31PIS	33.7	28.3	5.4	R04-31RHS	33.7	28.3	5.4
R04-37PIS	37.5	32.2	5.4	R04-37RHS	37.5	32.2	5.4

Note: All dimensions in mm