



MIL-DTL-32139 Nano-D Single Row Connectors

R06A Series Crimping Connectors

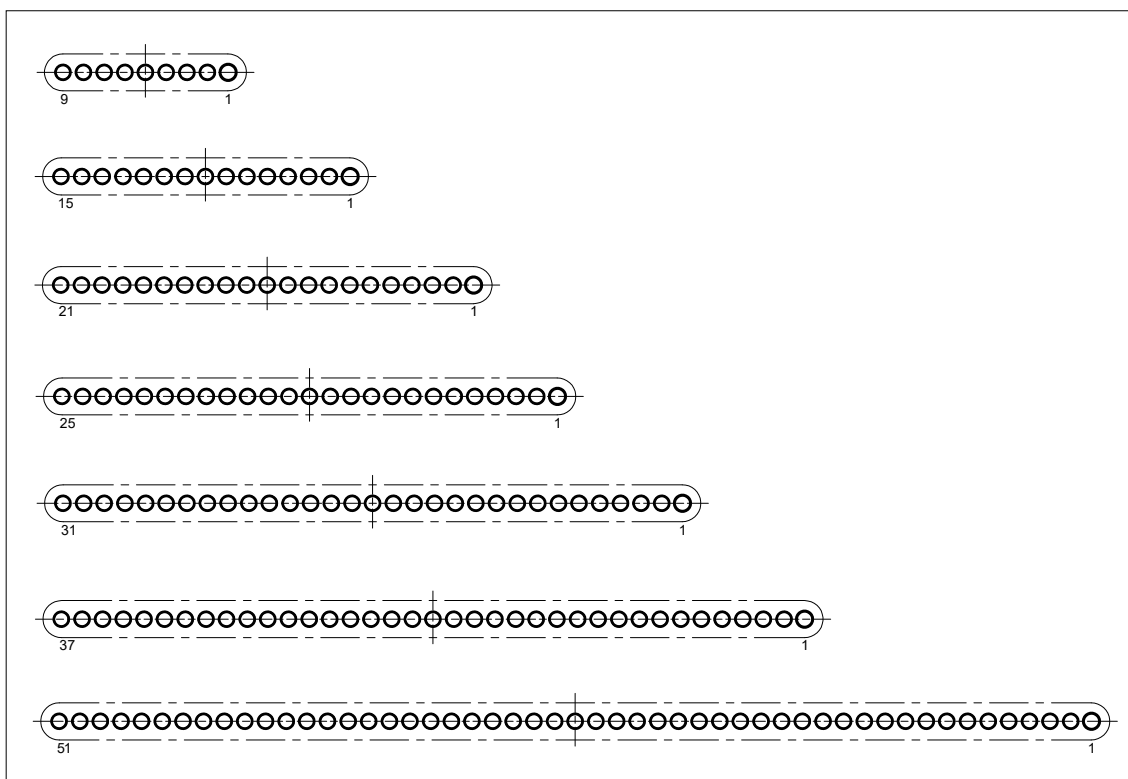
Brief Introduction

- Contacts: 9, 15, 21, 25, 31, 37, 51 pins
- Twist flexible nano pin (twist pin), 0.635mm pitch, nano miniature outline dimension.
- Screw nut locking, it is gently when insert and extract, stably locked.
- It is fit for all kinds for electric circuit system interconnection which have high density, nano, light, highly reliable requirements, it can meet light and miniaturize demand.
- Plug with twist pin, receptacle with socket, free terminal with locking screw, fixed terminal with nut, standard mated connector locked by screw and nut.
- Standard: MIL-DTL-32139.
- The sectional area of crimp conductive cable is 0.035mm².
- Undefined tolerance is ±0.13mm

Specifications

- | | | | |
|------------------|---------------------------------|--------------------------|----------------|
| ■ Environment: | -55°C~+125°C | ■ Contact resistance: | ≤21mΩ |
| ■ Vibration: | 10HZ~2000HZ 196m/s ² | ■ Insulation resistance: | ≥5000MΩ 100VDC |
| ■ Shock: | 980m/s ² 6ms | ■ Dielectric strength: | 250V |
| ■ Rated current: | 1A | ■ Machine life: | 200 times |
- Random vibration: power spectrum density 0.4G²/Hz, r.m.s value of total acceleration 23.1G

Contact Arrangements



Remark: The above layout is view from plug mate side end face.

How To Order

Series	R06A	-1	2	1	-C	1	-9	PI	0	JC	-30	9	10
Contact Row: 1—Single Row													
Shell Plating: 2—Nickel Plating													
Contact Plating: 1—Gold Plating													
Tail Termination Type : C—Crimp													
Mounting Style: 1—Free Mounted 4—Crimp Back to Back													
Contact Number: 9,15,21,25,31,37,51pins													
Contact Type PI — Pin in Plug RH — Socket in Receptacle													
Tail Cover : 0—Without Tail Cover 1—With Tail Cover (For Free Mounted C1 Series,Vertical Mounted C2 Series and Horizontal Mounted C3 Series Only)													
Locking Hardware Type: 00 —No Locking Hardware JC —Locking Screw (Straight Slot) JC1—Locking Screw (Hex, Not Recommend) TH —Connect Nut NH —Guide Hole With Nut Mounted													
Wire Gage: 30—AWG30													
Wire Color: 9—White T—Ten Color Repeating													
Wire Length: 10—Wire Length in cm. "10" Specifies 10cm													

Choose mating connector

- When choosing mating connector with locking accessories usually choose the locking component which one side with connect nut(TH), the other side with locking screw(JC).
- When choosing product with guide accessories,connector without locked component but only with guide component,it need fix on mounting panel after mated,for avoiding connector take off. When choosing mating connector with guide components usually choose the guide component which one side with guide pin, the other side with guide hole.



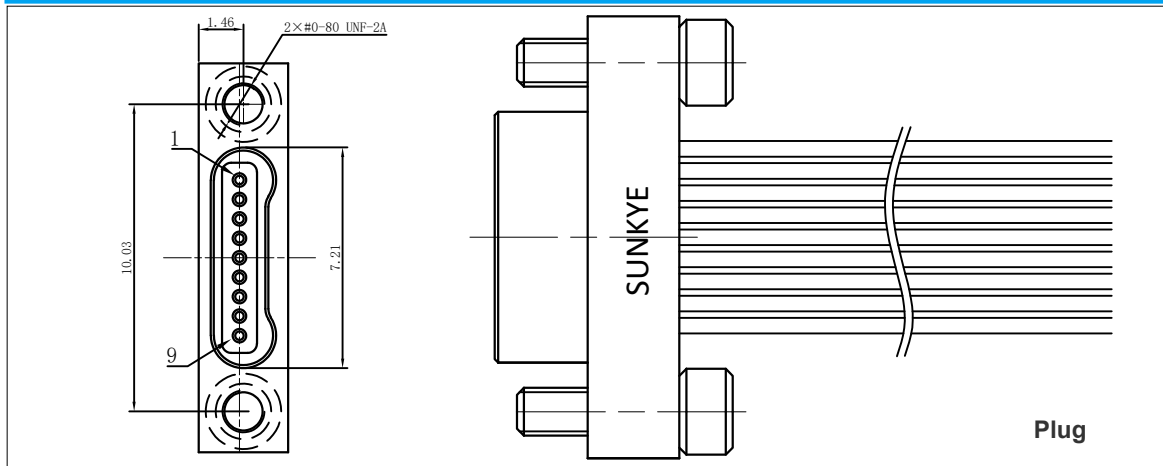
Free Mounted Crimp Series

How To Order

Series	R06A	1	2	1	-C	1	-25	PI	0	JC	-30	9	10
Contact Row: 1—Single Row													
Shell Plating: 2—Nickel Plating													
Contact Plating: 1—Gold Plating													
Tail Termination Type: C—Crimp													
Mounting Style: 1—Free Mounted													
Contact Number: 9,15,21,25,31,37,51pins													
Contact Type: PI—Pin in Plug RH—Socket in Receptacle													
Tail Cover: 0—Without Tail Cover													
Locking Hardware Type: JC—Locking Screw (Straight Slot, "C" Dimension is 1.5mm) JC1— Locking Screw (Hex, Not Recommend , "C" Dimension is 2.1mm)													
Wire Gage: 30—AWG30													
Wire Color: 9—White T—Ten Color Repeating													
Wire Length: 10—Wire Length in cm. "10" Specifies 10cm													

- Remark: 1. Locking screws are fixed on the outer shell, can't be disassembled
 2. Connectors are free mounted, not fixed, usually mated with connectors with nuts.
 3. Recommend JC Screws (straight slot screw), tightened by miniature straight screwdriver.
 4. When choosing JC1 Screws (hex screw), tightened by 1.27mm subtense hex screwdriver.

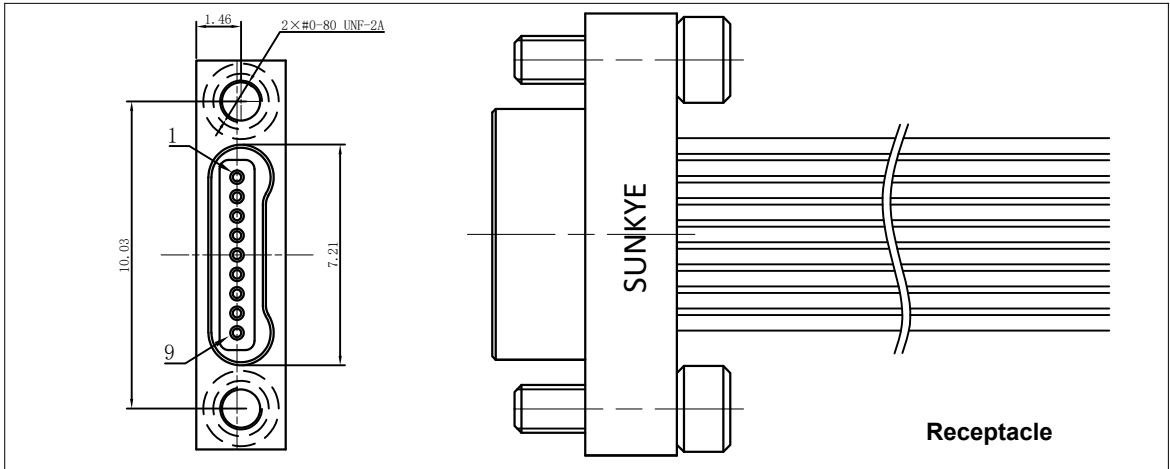
Outline Dimensions



Pin Count	Dimensions			Pin Count	Dimensions		
	A	B	C		A	B	C
9pins	12.70	10.03	7.21	15pins	16.51	13.84	11.02
21pins	20.32	17.65	14.83	25pins	22.86	20.19	17.37
31pins	26.67	24.00	21.18	37pins	30.48	27.81	24.99
51pins	39.37	36.70	33.88				

Remark: All dimensions are in mm.

Outline Dimensions



Pin Count	Dimensions			Pin Count	Dimensions		
	A	B	C		A	B	C
9pins	12.70	10.03	7.21	15pins	16.51	13.84	11.05
21pins	20.32	17.65	14.86	25pins	15.60	11.94	17.40
31pins	26.67	24.00	21.21	37pins	30.48	27.81	25.02
51pins	39.37	36.70	33.91				

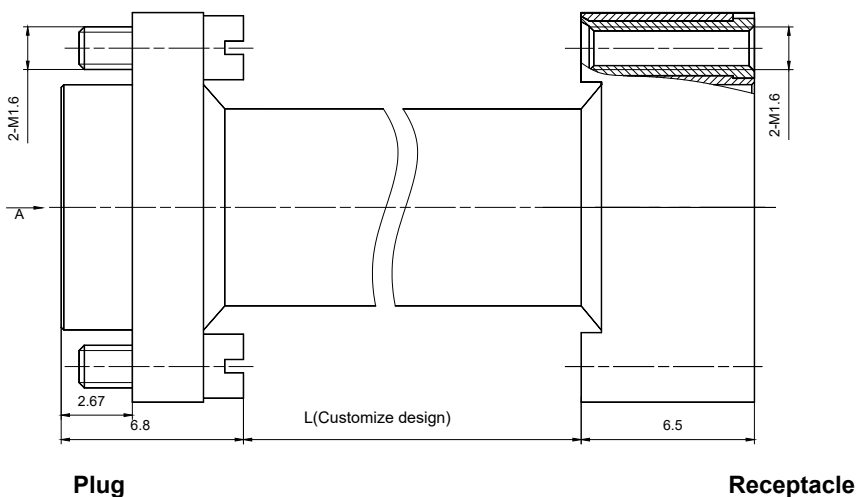


Crimp Back to Back Connector Series

How To Order

Series	R06A	-1	2	1	-C	4	-25	PI	0	-JC	30	9	10
Contact Row: 1—Single Row													
Shell Plating: 2—Nickel Plating													
Contact Plating: 1—Gold Plating													
Tail Termination Type: C—Crimp													
Mounting Style: 4—Crimp Back to Back													
Contact Number: 9,15,21,25,31,37,51pins													
Contact Type: PI—Pin (Plug Connector Both Ends) RH—Socket (Receptacle Connector Both Ends) PH—Pin Connector to Socket Connector													
Tail Cover: 0—Without Tail Cover													
Locking Hardware Type: JC—Locking Screw (Straight Slot, For Plug Connector Only) TH—Connect Nut (For Receptacle Connector Only)													
Wire Gage: 30—AWG30													
Wire Color: 9—White T—Ten Color Repeating													
Wire Length: 10—Wire Length in cm. "10" Specifies 10cm													

Outline Dimensions



Remark: All dimensions are in mm.