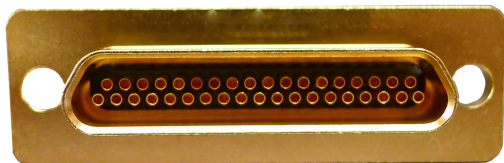


## R04J series solder cup type - glass-sintered sealing connector



- **Shell:** Kovar alloy shell,finish gold
- **The spacing of arrangemet of the tail:**1.27x1.1mm
- **Termination type:** Solder cup
- **Receptacle**
- **The flange with a rubber cushion,thickness:**1mm
- **Glass-sintered sealing connector**
- **The air leakage rate:**  $1 \times 10^{-3} \text{ Pa} \cdot \text{CM}^3/\text{s}$
- **Insulation resistance:**  $\geq 5000 \text{ M}\Omega$
- **Contact resistance:**  $\leq 30 \text{ m}\Omega$
- **Dielectric strength:** 600Vr.m.s
- **Contacts:** R04JS1-9, 15, 21, 25, 31, 37, 51RHJ
- **Other performance is the same as R04J series**

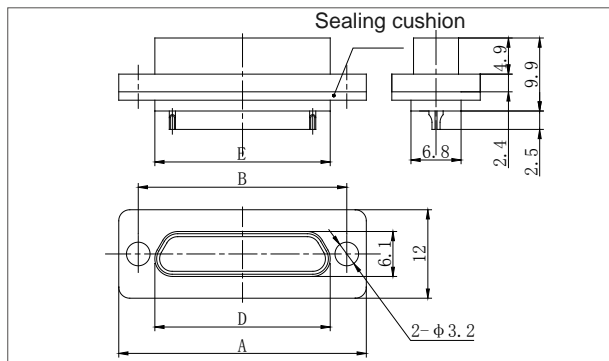
## How to Order Solder Cup Connector---R04JS1 Series

<b>Sample part number</b>	R04JS1	25	RH	J	Q29	K	—A3
<b>Series:</b>	R04JS1—glass-sinter sealing						
<b>Contact number:</b>	9, 15, 21, 25, 31, 37, 51pins						
<b>Contact type :</b>	RH—socket in receptacle						
<b>Tail termination type:</b>	J—solder cup connector						
<b>Locking component type:</b>	Q29, Q36, Q37,Q43, more informations ,please see page2			blank—without			
<b>Shell material and finish :</b>	K— Kovar alloy shell,finish gold						
<b>Shelded cable clamp type:</b>	Please see page3						

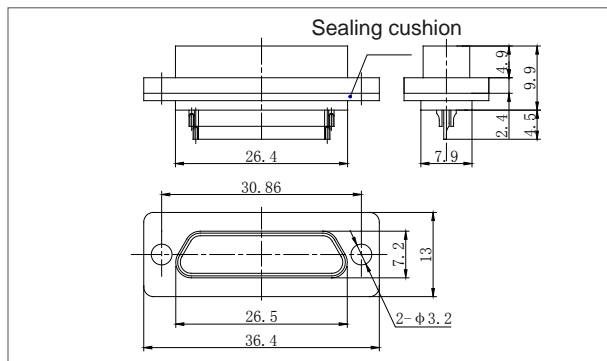
Remark:This product is front panel mounting , suggest to use the un-throught threaded mounting hole.  
 Matching with locking component :Q29, Q36, Q37,Q43 etc. other mounting type need to customize.



### Outline Dimension



R04JS1-9~37RHJ

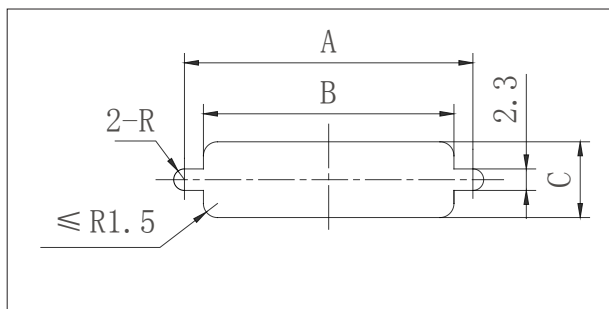


R04JS1-51RHJ

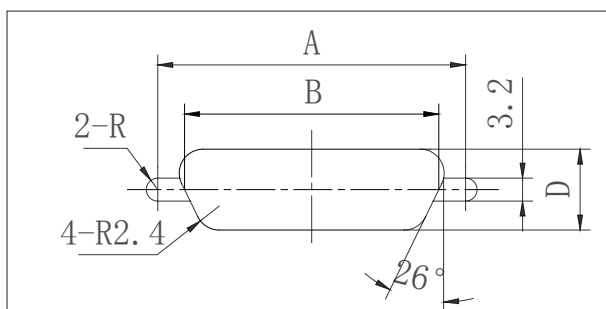
Part number	A	B	D	E
R04JS1-9RHJ	19.6	14.3	9.8	9.7
R04JS1-15RHJ	23.5	18.2	13.7	13.6
R04JS1-21RHJ	27.4	22	17.4	17.4
R04JS1-25RHJ	29.8	24.5	20	20
R04JS1-31RHJ	33.6	28.3	23.8	23.8
R04JS1-37RHJ	37.4	32.2	27.7	27.6
R04JS1-51RHJ	see outline dimension of page 5			

### Solder cup type(R04JS and R04JS1) - mounting hole dimensions

■ Suitable for product: R04JS-\*RHJ and R04JS1-\*RHJ



Mounting hole dimension for front panel mounting



Mounting hole dimension for rear panel mounting

Contacts of No.	A	B	C	D	Contacts of No.	A	B	C	D
9 pins	14.3	10.2	7	6.3	37 pins	32.2	28.1	7	6.3
15 pins	18.2	14.1	7	6.3	51pins	30.86	26.9	8.1	7.4
21 pins	22	17.9	7	6.3	66 pins	37.3	33.4	8.1	7.4
25 pins	24.5	20.5	7	6.3	74 pins	33.5	29.4	9.3	8.6
31 pins	28.3	24.3	7	6.3	100 pins	45.7	37	9.3	8.6

Remark: 1. R04JS and R04JS1 are both sealing products, we suggest to use un-through threaded mounting hole for front panel mounting  
2. All dimensions are in mm