



MIL-DTL-32139 Nano D-sub Connectors

R06 Crimp Contact Series

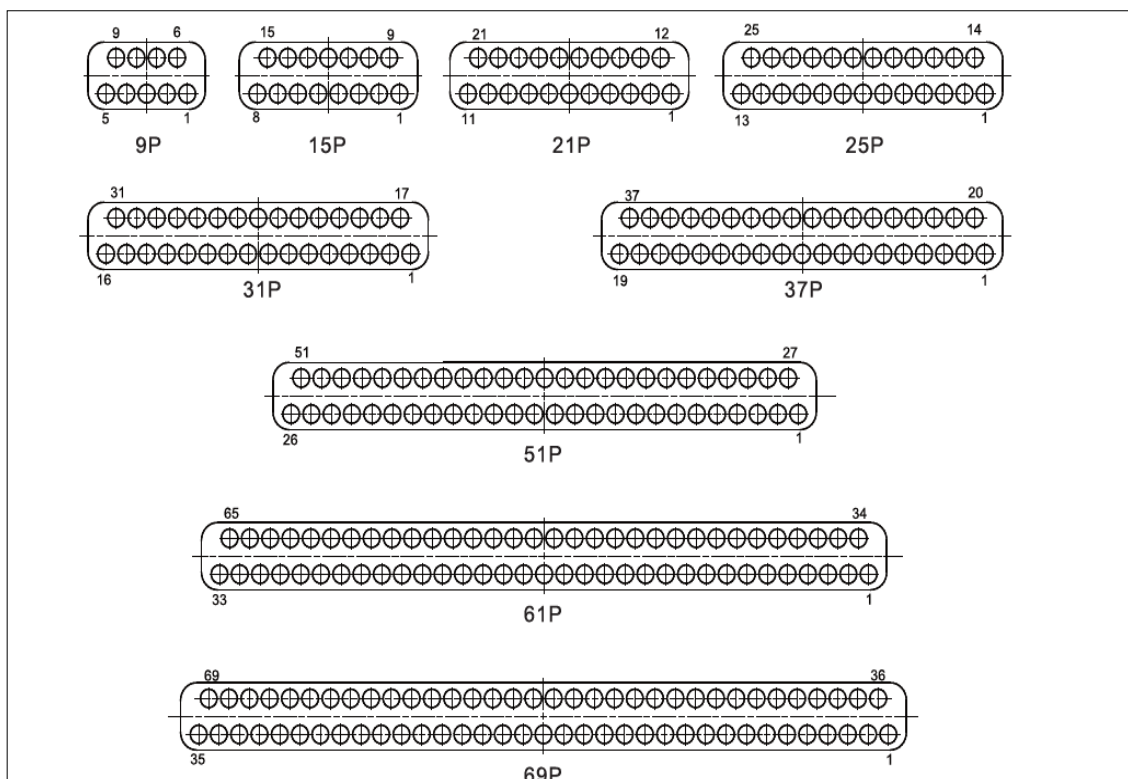
Brief introduction

- Contacts:9,15,21,25,31,37,51,65,69
- Twist flexible micro pin (twist pin), 0.635mm pitch, micro miniature outline dimension
- Screw nut locking, it is gently when insert and extract, stably locked
- It is used for all kinds for electric circuit system interconnection which have high density, micro, light, highly reliable requirement, it can meet light and miniaturize demand
- Plug with twist pin, receptacle with socket, free terminal with locking screw, fixed terminal with nut, standard mated connector locked by screw and nut
- Standard: MIL-DTL-32139
- The sectional area of crimp conductive cable is 0.035mm²
- Undefined tolerance is±0.13

Specification

- | | | | |
|---|---------------------------------|--------------------------|----------------|
| ■ Environment: | -55℃~+125℃ | ■ Contact resistance: | ≤21mΩ |
| ■ Vibration: | 10Hz~2000Hz 196m/s ² | ■ Insulation resistance: | ≥5000MΩ 100VDC |
| ■ Shock: | 980m/s ² 6ms | ■ Dielectric strength: | 250V |
| ■ Rated current: | 1A | ■ Machine life: | 200 times |
| ■ Random vibration: power spectrum density 0.4G ² /Hz, r.m.s value of total acceleration 23.1G | | | |

Contact layout



Remark: The above layout is view from plug mate side end face

How to order

| | | | | | | | | | | |
|---|-----|----|---|---|----|---|----|----|---|-----|
| Series | R06 | -2 | 2 | 1 | -C | 2 | -9 | PI | 0 | -TH |
| Contact row: 2 — tow rows | | | | | | | | | | |
| Shell plating: 2 — nickel plating | | | | | | | | | | |
| Contact plating: 1 — gold plating | | | | | | | | | | |
| Tail termination type : C— crimp | | | | | | | | | | |
| Mounting style: 1 —free mounted 2— vertical mounted 3 — horizontal mounted 4 — crimp siamese 5 — nut mounted 6 — Flange mounted 7 — Floating mounted | | | | | | | | | | |
| Contact number: 9、15、21、25、31、37、51、65、69 | | | | | | | | | | |
| Contact type PI — pin in plug RH— socket in receptacle PP— plug interconnect plug PS— plug interconnect receptacle SS— receptacle interconnect receptacle | | | | | | | | | | |
| Tail cover : 0— without tail cover 1— with tail cover | | | | | | | | | | |
| Locking component type: 00 — without locking component JC— locking screw(straight slot) JC1— locking screw(hex, not recommend) TH— connect nut NH— guide hole with nut mounted | | | | | | | | | | |



Choose mating connector

- When choosing mating connector with locking accessories usually choose the locking component which one side with connect nut(TH), the other side with locking screw(JC).
- When choosing product with guide accessories,connector without locked component but only with guide component,it need fix on mounting panel after mated,for avoiding connector take off. When choosing mating connector with guide components usually choose the guide component which one side with guide pin, the other side with guide hole



Free Mounted Crimp Connector with Tail Cover Series

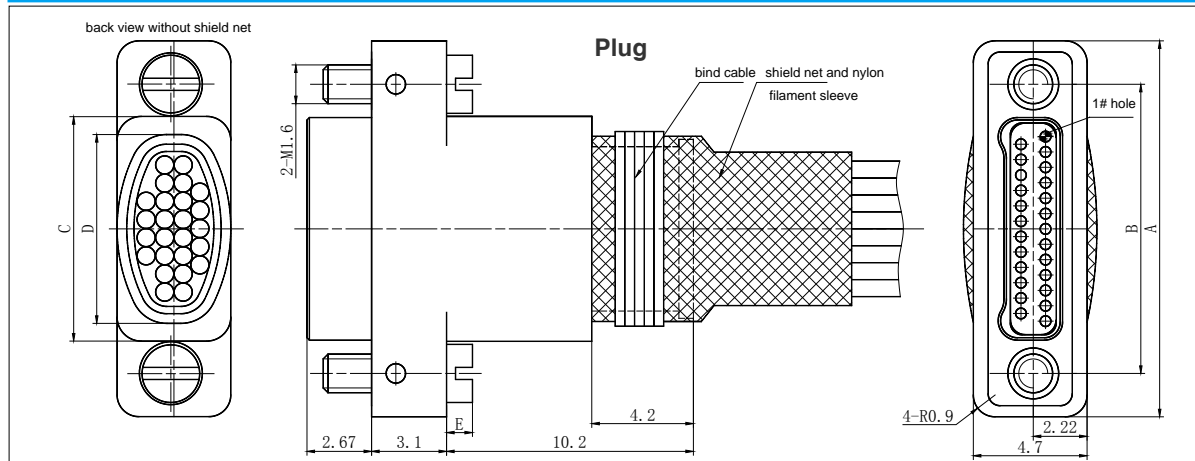
Order marks

| | | | | | | | | | | | |
|---------------------------|---|----|---|---|----|---------------------------|-----|----|---|-----|---|
| Series | R06 | -2 | 2 | 1 | -C | 1 | -25 | PI | 1 | -JC |  <p>PI</p>  <p>RH</p> |
| Contact row: | 2 — tow rows | | | | | | | | | | |
| Shell plating: | 2 — nickel plating | | | | | | | | | | |
| Contact plating: | 1 — gold plating | | | | | | | | | | |
| Termination type : | C — crimp | | | | | | | | | | |
| Mounting style: | 1 — free mounted | | | | | | | | | | |
| Contact number: | 9、15、21、25、31、37、51、65、69 | | | | | | | | | | |
| Contact type | PI — pin in plug | | | | | RH — socket in receptacle | | | | | |
| Tail cover : | 1 — with tail cover | | | | | | | | | | |
| Locking type: | JC — locking screw(straight slot, E dimension=1mm) JC1 — locking screw(hex, not recommend , E dimension=1.6mm) | | | | | | | | | | |

Remark

- Connector with integrated tail cover,bind shielding net on tail cover,shield whole connector,tail cover non-removable
- Connector is free mounted,not fixed,usually mated with connector which have nut
- Recommended JC(straight slot) types of screws,tight by miniature straight screwdriver
- When choose JC1(hex) type of screws,tight by 1.27mm subtense hex screwdriver.

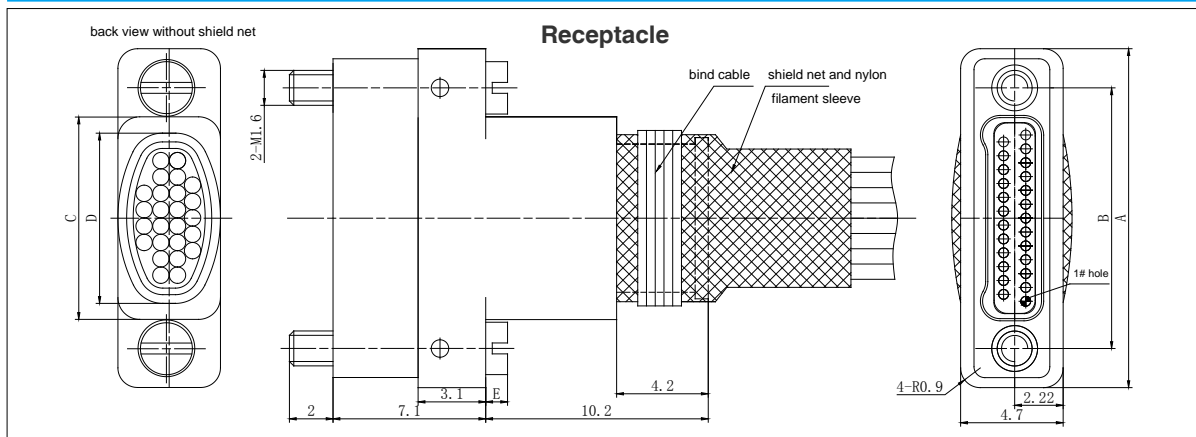
Outline dimension



| Pin count | Dimension | | | | Pin count | Dimension | | | |
|-----------|-----------|-------|-------|------|-----------|-----------|-------|------|------|
| | A | B | C | D | | A | B | C | D |
| 9pins | 10.5 | 6.86 | 4.2 | 3.7 | 15pins | 12.4 | 8.76 | 6.1 | 5 |
| 21pins | 14.3 | 10.67 | 8 | 6.6 | 25pins | 15.6 | 11.94 | 9.3 | 7.8 |
| 31pins | 17.5 | 13.84 | 11.2 | 9.4 | 37pins | 19.4 | 15.75 | 13.1 | 11.2 |
| 51pins | 23.8 | 20.19 | 17.55 | 15.7 | 65pins | 28.3 | 24.64 | 22 | 20.1 |
| 69pins | 29.5 | 25.91 | 23.25 | 21.4 | | | | | |

Remark: All dimensions are in mm

Outline dimension





| Pin count | Dimension | | | | Pin count | Dimension | | | |
|-----------|-----------|-------|-------|------|-----------|-----------|-------|------|------|
| | A | B | C | D | | A | B | C | D |
| 9pins | 10.5 | 6.86 | 4.2 | 3.7 | 15pins | 12.4 | 8.76 | 6.1 | 5 |
| 21pins | 14.3 | 10.67 | 8 | 6.6 | 25pins | 15.6 | 11.94 | 9.3 | 7.8 |
| 31pins | 17.5 | 13.84 | 11.2 | 9.4 | 37pins | 19.4 | 15.75 | 13.1 | 11.2 |
| 51pins | 23.8 | 20.19 | 17.55 | 15.7 | 65pins | 28.3 | 24.64 | 22 | 20.1 |
| 69pins | 29.5 | 25.91 | 23.25 | 21.4 | | | | | |

Remark: All dimensions are in mm



Vertical Mounted Crimp Connector with Tail Cover Series

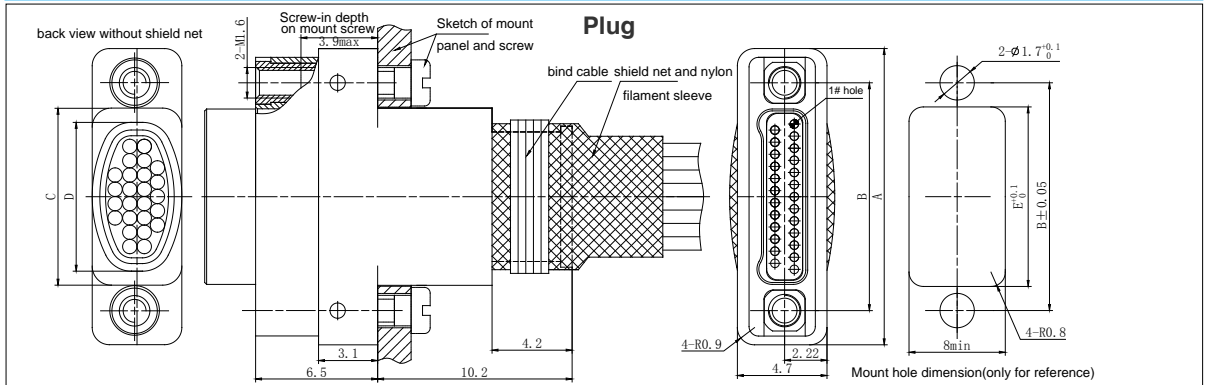
Order marks

| | | | | | | | | | | | |
|---|-----|----|---|---|----|---|-----|----|---|-----|---|
| Series | R06 | -2 | 2 | 1 | -C | 2 | -25 | RH | 1 | -TH |  <p>PI</p>  <p>RH</p> |
| Contact row: | | | | | | | | | | | |
| 2 — tow rows | | | | | | | | | | | |
| Shell plating: | | | | | | | | | | | |
| 2 — nickel plating | | | | | | | | | | | |
| Contact plating: | | | | | | | | | | | |
| 1 — gold plating | | | | | | | | | | | |
| Termination type : | | | | | | | | | | | |
| C — crimp | | | | | | | | | | | |
| Mounting style: | | | | | | | | | | | |
| 2 — vertical mounted | | | | | | | | | | | |
| Contact number: | | | | | | | | | | | |
| 9、15、21、25、31、37、51、65、69 | | | | | | | | | | | |
| Contact type | | | | | | | | | | | |
| PI — pin in plug RH — socket in receptacle | | | | | | | | | | | |
| Tail cover : | | | | | | | | | | | |
| 1 — with tail cover | | | | | | | | | | | |
| Locking type: | | | | | | | | | | | |
| TH — connect nut | | | | | | | | | | | |

Remark

- Connector with integrated tail cover,bind shielding net on tail cover,shield whole connector,tail cover non-removable
- Connector usually mated with connector which have screw
- As these series connector limited by dimension,it can't use standard M1.6mm screw,so we provide special-made M1.6*6 mounted screw.

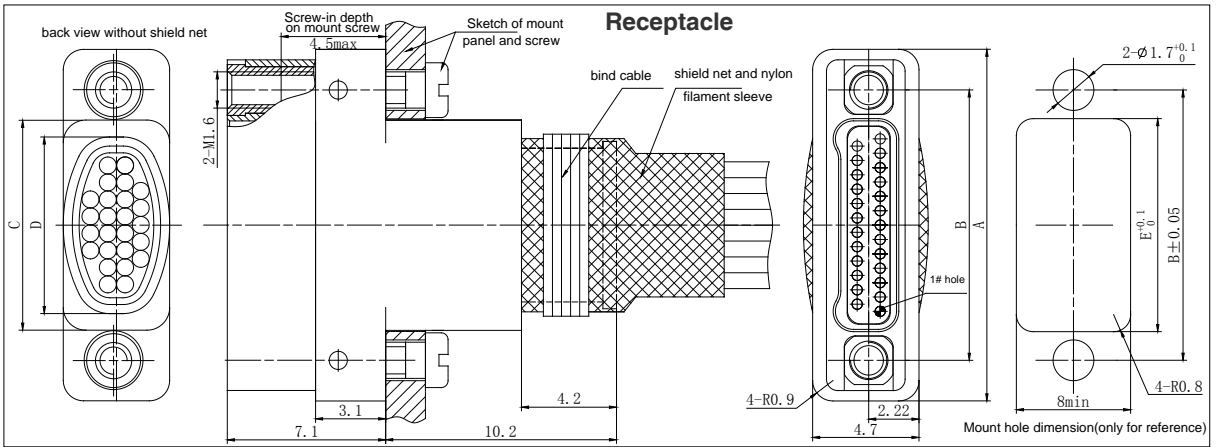
Outline dimension



| Pin count | Dimension | | | | | Pin count | Dimension | | | | |
|-----------|-----------|-------|-------|------|-------|-----------|-----------|-------|------|------|------|
| | A | B | C | D | E | | A | B | C | D | E |
| 9pins | 10.5 | 6.86 | 4.2 | 3.7 | 4.3 | 15pins | 12.4 | 8.76 | 6.1 | 5 | 6.2 |
| 21pins | 14.3 | 10.67 | 8 | 6.6 | 8.1 | 25pins | 15.6 | 11.94 | 9.3 | 7.8 | 9.4 |
| 31pins | 17.5 | 13.84 | 11.2 | 9.4 | 11.3 | 37pins | 19.4 | 15.75 | 13.1 | 11.2 | 13.2 |
| 51pins | 23.8 | 20.19 | 17.55 | 15.7 | 17.65 | 65pins | 28.3 | 24.64 | 22 | 20.1 | 22.1 |
| 69pins | 29.5 | 25.91 | 23.25 | 21.4 | 23.35 | | | | | | |

Remark: All dimensions are in mm

Outline dimension





| Pin count | Dimension | | | | | Pin count | Dimension | | | | |
|-----------|-----------|-------|-------|------|-------|-----------|-----------|-------|------|------|------|
| | A | B | C | D | E | | A | B | C | D | E |
| 9pins | 10.5 | 6.86 | 4.2 | 3.7 | 4.3 | 15pins | 12.4 | 8.76 | 6.1 | 5 | 6.2 |
| 21pins | 14.3 | 10.67 | 8 | 6.6 | 8.1 | 25pins | 15.6 | 11.94 | 9.3 | 7.8 | 9.4 |
| 31pins | 17.5 | 13.84 | 11.2 | 9.4 | 11.3 | 37pins | 19.4 | 15.75 | 13.1 | 11.2 | 13.2 |
| 51pins | 23.8 | 20.19 | 17.55 | 15.7 | 17.65 | 65pins | 28.3 | 24.64 | 22 | 20.1 | 22.1 |
| 69pins | 29.5 | 25.91 | 23.25 | 21.4 | 23.35 | | | | | | |

Remark: All dimensions are in mm



Horizontal Mounted Crimp Connector with Tail Cover Series

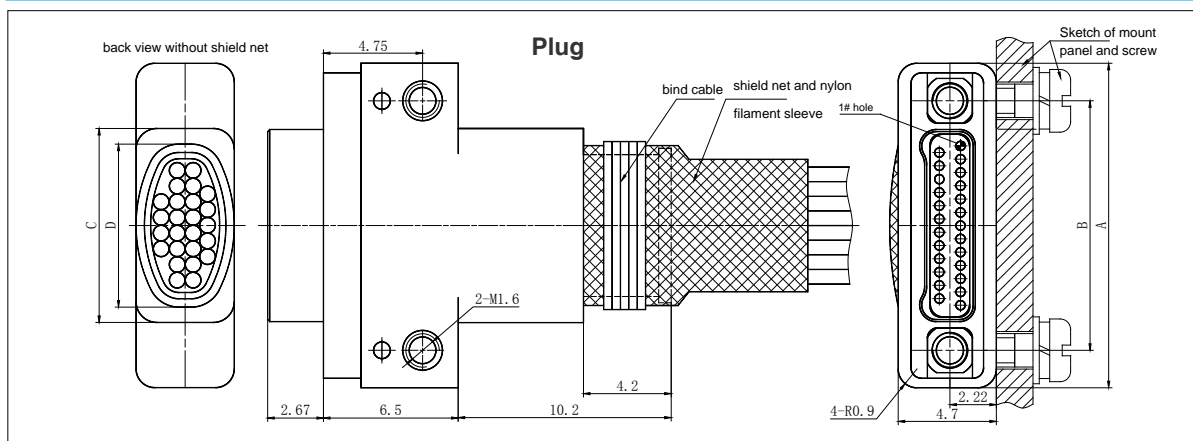
Order marks

| | | | | | | | | | | | |
|---|-----|----|---|---|----|---|-----|----|---|-----|---|
| Series | R06 | -2 | 2 | 1 | -C | 3 | -25 | RH | 1 | -TH |  <p>PI</p>  <p>RH</p> |
| Contact row: | | | | | | | | | | | |
| 2 — tow rows | | | | | | | | | | | |
| Shell plating: | | | | | | | | | | | |
| 2 — nickel plating | | | | | | | | | | | |
| Contact plating: | | | | | | | | | | | |
| 1 — gold plating | | | | | | | | | | | |
| Termination type : | | | | | | | | | | | |
| C — crimp | | | | | | | | | | | |
| Mounting style: | | | | | | | | | | | |
| 3 — horizontal mounted | | | | | | | | | | | |
| Contact number: | | | | | | | | | | | |
| 9、15、21、25、31、37、51、65、69 | | | | | | | | | | | |
| Contact type | | | | | | | | | | | |
| PI — pin in plug RH — socket in receptacle | | | | | | | | | | | |
| Tail cover : | | | | | | | | | | | |
| 1 — with tail cover | | | | | | | | | | | |
| Locking type: | | | | | | | | | | | |
| TH — connect nut | | | | | | | | | | | |

Remark

- Connector with integrated tail cover,bind shielding net on tail cover,shield whole connector,tail cover non-removable
- Connector usually mated with connector which have screw

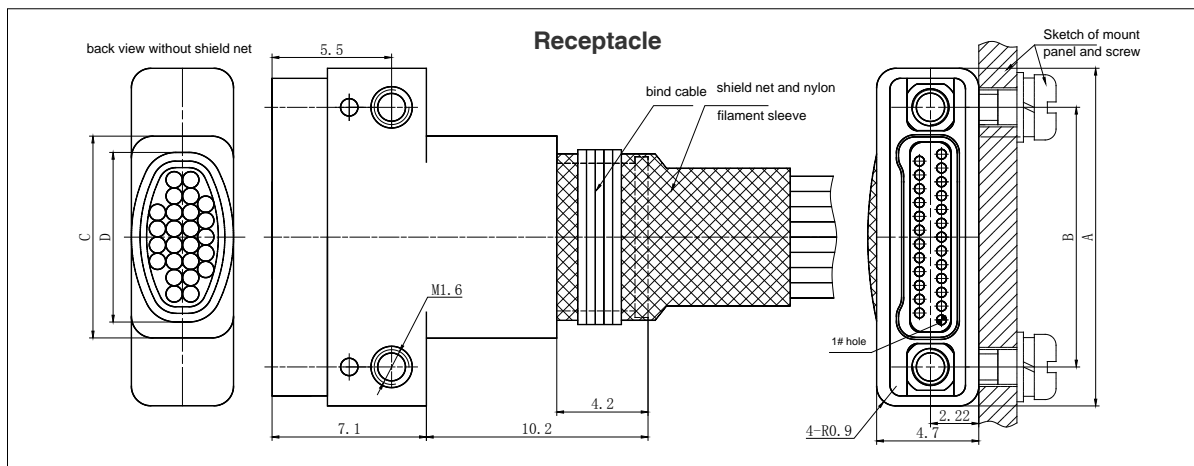
Outline dimension



| Pin count | Dimension | | | | Pin count | Dimension | | | |
|-----------|-----------|-------|-------|------|-----------|-----------|-------|------|------|
| | A | B | C | D | | A | B | C | D |
| 9pins | 10.5 | 6.86 | 4.2 | 3.7 | 15pins | 12.4 | 8.76 | 6.1 | 5 |
| 21pins | 14.3 | 10.67 | 8 | 6.6 | 25pins | 15.6 | 11.94 | 9.3 | 7.8 |
| 31pins | 17.5 | 13.84 | 11.2 | 9.4 | 37pins | 19.4 | 15.75 | 13.1 | 11.2 |
| 51pins | 23.8 | 20.19 | 17.55 | 15.7 | 65pins | 28.3 | 24.64 | 22 | 20.1 |
| 69pins | 29.5 | 25.91 | 23.25 | 21.4 | | | | | |

Remark: All dimensions are in mm

Outline dimension



| Pin count | Dimension | | | | Pin count | Dimension | | | |
|-----------|-----------|-------|-------|------|-----------|-----------|-------|------|------|
| | A | B | C | D | | A | B | C | D |
| 9pins | 10.5 | 6.86 | 4.2 | 3.7 | 15pins | 12.4 | 8.76 | 6.1 | 5 |
| 21pins | 14.3 | 10.67 | 8 | 6.6 | 25pins | 15.6 | 11.94 | 9.3 | 7.8 |
| 31pins | 17.5 | 13.84 | 11.2 | 9.4 | 37pins | 19.4 | 15.75 | 13.1 | 11.2 |
| 51pins | 23.8 | 20.19 | 17.55 | 15.7 | 65pins | 28.3 | 24.64 | 22 | 20.1 |
| 69pins | 29.5 | 25.91 | 23.25 | 21.4 | | | | | |

Remark: All dimensions are in mm