



Company Profile:

Sunkye International Co., Limited.(Connector) Business Group, with sixty five years of experience, specializes in designing and producing connectors, related components and cables. A wide range of connector products, twist pin connector, optical fiber connector, RF coaxial connector, separable connector, custom and application-

Company profile

specific connector, etc, which are widely used in military area: aerospace, aviation, electrical, ship-building, defense system, etc and civil area: communication, telecom, automotive, rail, etc.

Design team focuses on meeting customers' requirement with continuous innovative technology, manufacture team provides high quality products by utilizing advanced equipments in standardized processes to ensure customers' benefits.

Sunkye is ISO 9001 certified, UL, VDE, CE certification passed, and ensures products quality by testing in realistic conditions with advanced test facilities, professional test employees.

Sunkye team is committed to offering high quality products, best service, prompt delivery and competitive price for you.



Manufacture Equipment:

Five-Axis CNC, AGIE EDM, SODICK WEDM-LS, 40G Vector Network Analyzers, Vacuum Heat Treatment Equipment, Glass-sintered System, Laser Processing Center, High Velocity Ram Machine, Gold, Nickel and Cadmium Plating Production Line, Thermosetting Injection Machine, Thermoplastic Injection Machine, Swiss Automatic Lathe, etc.

Test Facilities:

Comprehensive Test Instrument of Temperature, Humidity and Vibration; Experimental Box of Temperature and Shock; layer thickness meter; Coordinate Measurement Machine, etc.



MIL-DTL-32139 Nano D-sub connectors

SUNKYE



CONTENT



MIL-DTL-32139 Nano D-sub connectors

R06 Right Angle to PCB Series.....	2
R06 SMT Series.....	20
R06 Crimp Contact Series.....	32
R06 Straight to PCB Series.....	47



MIL-DTL-32139 Nano D-sub Connectors

R06 Right Angle to PCB Series

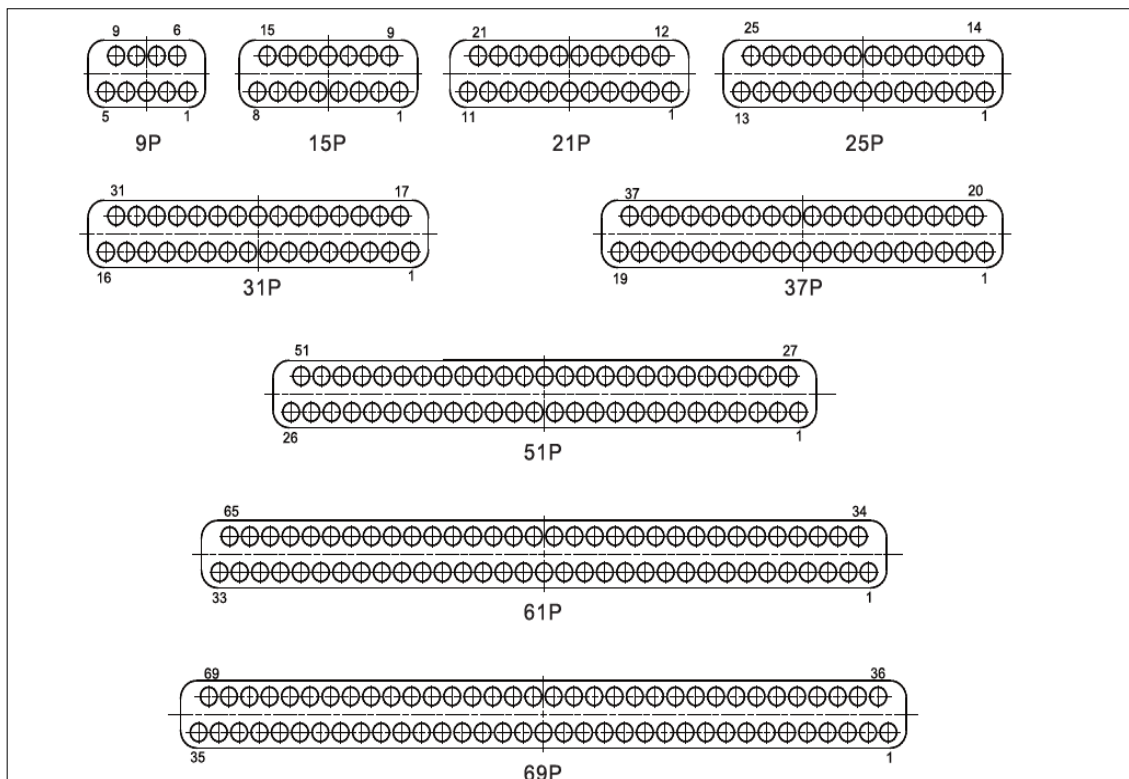
Brief introduction

- Contacts:9,15,21,25,31,37,51,65,69
- Twist flexible micro pin (twist pin), 0.635mm pitch, micro miniature outline dimension
- Screw nut locking, it is gently when insert and extract, stably locked
- It is used for all kinds for electric circuit system interconnection which have high density, micro, light, highly reliable requirement, it can meet light and miniaturize demand
- Plug with twist pin, receptacle with socket, free terminal with locking screw, fixed terminal with nut, standard mated connector locked by screw and nut
- Standard: MIL-DTL-32139
- Undefined tolerance is±0.13

Specification

- | | | | |
|---------------------|---|--------------------------|----------------|
| ■ Environment: | -55℃~+125℃ | ■ Contact resistance: | ≤21mΩ |
| ■ Vibration: | 10Hz~2000Hz 196m/s ² | ■ Insulation resistance: | ≥5000MΩ 100VDC |
| ■ Shock: | 980m/s ² 6ms | ■ Dielectric strength: | 250V |
| ■ Rated current: | 1A | ■ Machine life: | 200 times |
| ■ Random vibration: | power spectrum density 0.4G ² /Hz, r.m.s value of total acceleration 23.1G | | |

Contact layout


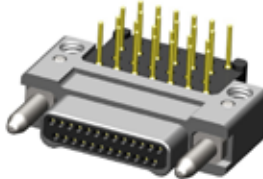


Remark: The above layout is view from plug mate side end face



R06 Right Angle to PCB Plug Series

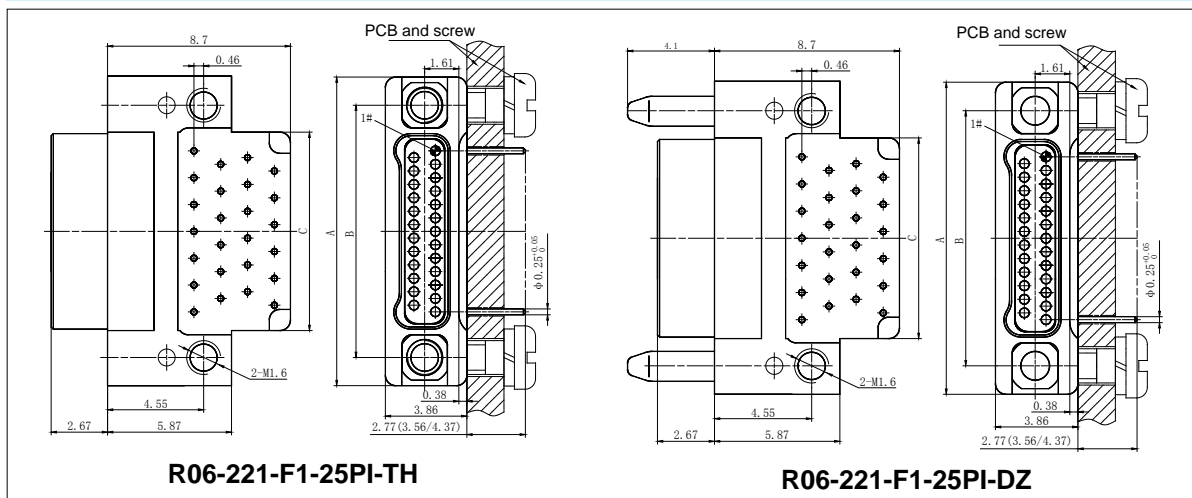
Order marks

Series	R06	-2	2	1	-F	1	-25	PI	-TH	 <p>R06-221-F1-25PI-TH</p>  <p>R06-221-F1-25PI-DZ</p>
Contact row:										
2 — tow rows										
Shell plating:										
2 — nickel plating										
Contact plating:										
1 — gold plating										
Tail termination type :										
F — 90° right angle to PCB										
Tail length:										
1 — 2.77mm										
2 — 3.56mm										
3 — 4.37mm										
Contact number:										
9、15、21、25、31、37、51、65、69										
Contact type :										
PI — pin in plug										
Locking type:										
DZ — guide pin TH — connect nut										

Remark

- R06-221-F*-**PI-TH usually mated with receptacle which have locking screw, R06-221-F*-**PI-DZ usually mated with receptacle which have guide hole
- 3 kinds of tail length, customized produce for other length

Outline dimension

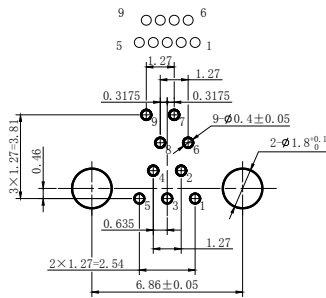
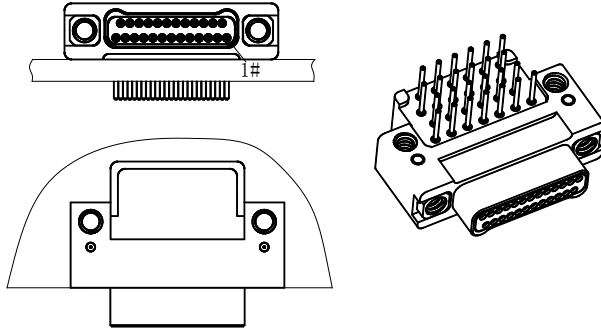


Pin count	Dimension			Pin count	Dimension			Pin count	Dimension		
	A	B	C		A	B	C		A	B	C
9pins	9.63	6.86	4.25	15pins	11.53	8.76	6.15	21pins	13.44	10.67	8.06
25pins	14.71	11.94	9.33	31pins	16.61	13.84	11.23	37pins	18.52	15.75	13.14
51pins	22.96	20.19	17.58	65pins	27.41	24.64	22.03	69pins	28.68	25.91	23.3

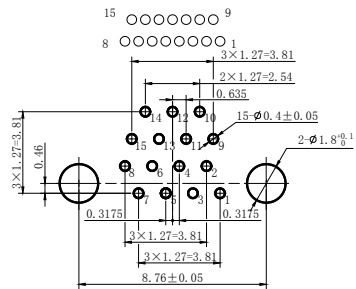
Remark: All dimensions are in mm



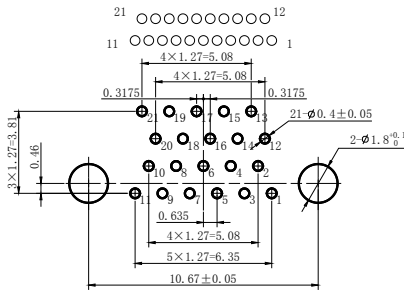
Suggested PCB Layout



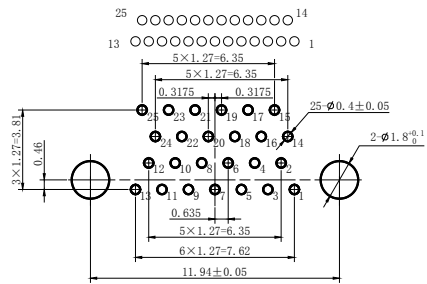
R06-221-F1/F2/F3-9PI-TH



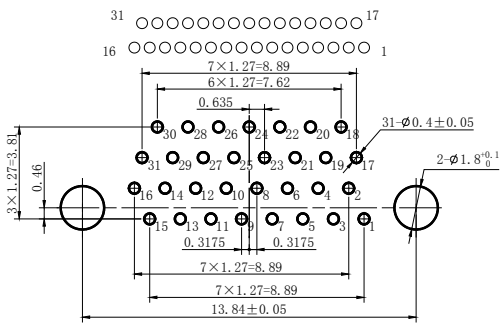
R06-221-F1/F2/F3-15PI-TH



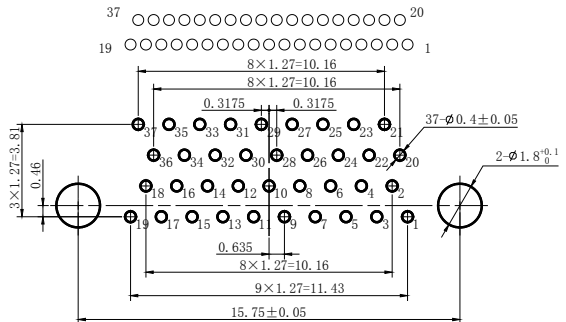
R06-221-F1/F2/F3-21PI-TH



R06-221-F1/F2/F3-25PI-TH



R06-221-F1/F2/F3-31PI-TH

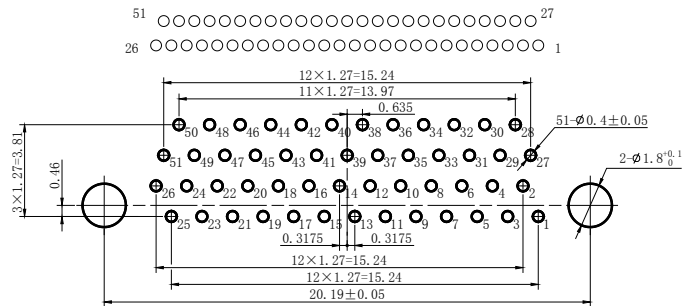
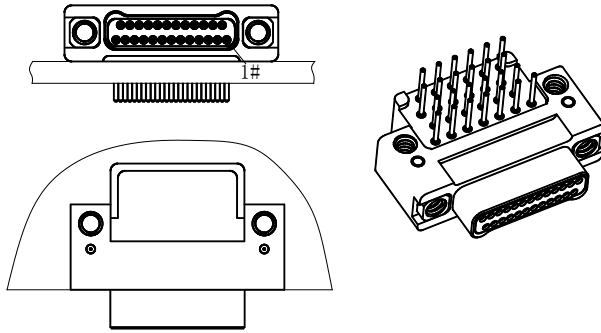


R06-221-F1/F2/F3-37PI-TH

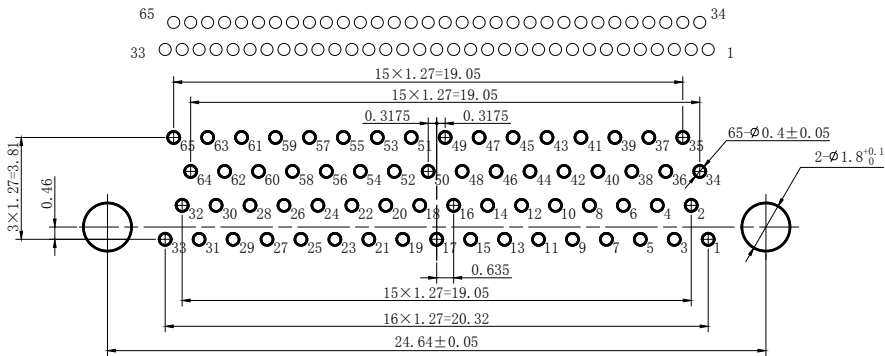
Remark: All dimensions are in mm



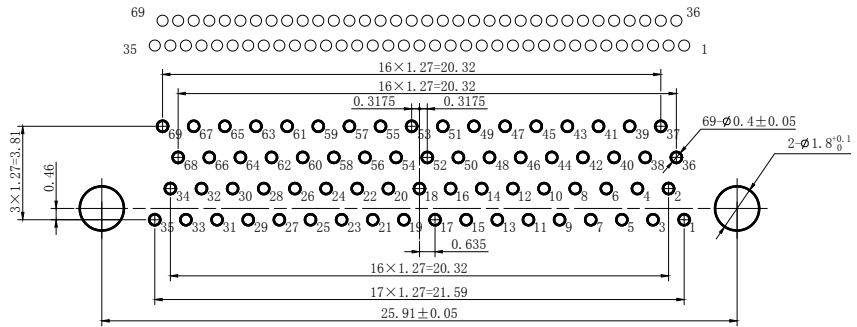
Suggested PCB Layout



R06-221-F1/F2/F3-51PI-TH



R06-221-F1/F2/F3-65PI-TH



R06-221-F1/F2/F3-69PI-TH

Remark: All dimensions are in mm



R06 Right Angle to Flexible PCB Plug with Locking Screw Series

Order marks

Series	R06	-2	2	1	-F	1	-25	PI	- JC
Contact row:	2 — tow rows								
Shell plating:	2 — nickel plating								
Contact plating:	1 — gold plating								
Tail termination type :	F— 90° right angle to PCB								
Tail length:	1— 2.77mm 2 — 3.56mm 3 — 4.37mm								
Contact number:	9、15、21、25、31、37、51、65、69								
Contact type :	PI — pin in plug								
Locking type:	JC— locking screw(straight slot,C dimension=1.5mm) JC1— locking screw(hex, not recommend,C dimension=2.1mm)								

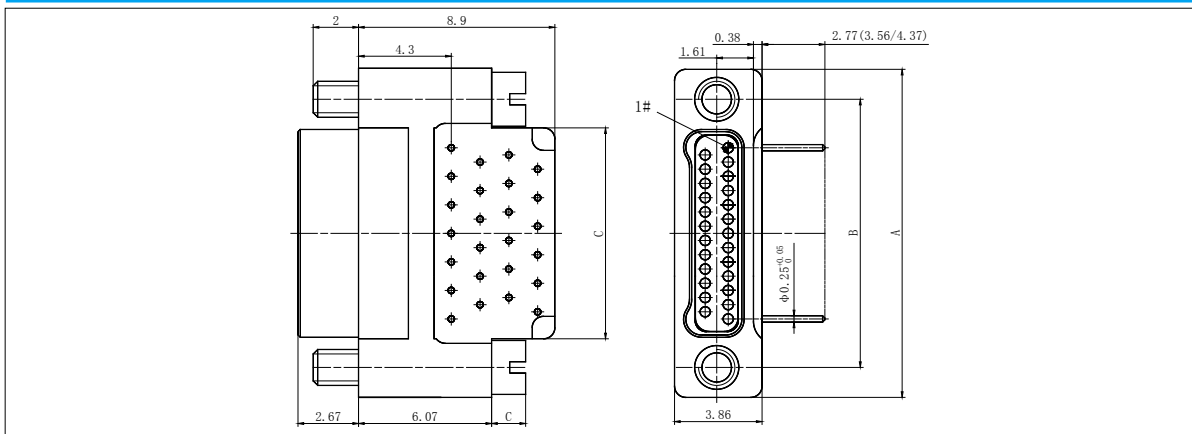


R06-221-F1-25PI-JC

Remark

- 3 kinds of tail length,customized produce for other length
- Connector is free mounted,not fixed,usually mated with receptacle which have nut
- Tail soldered in the Flexible PCB
- Recommended JC(straight slot screw) types of screws,tihgt by miniature straight screwdriver
- When choose JC1(hex) type of screws,tight by 1.27mm subtense hex screwdriver.

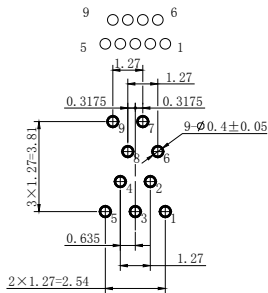
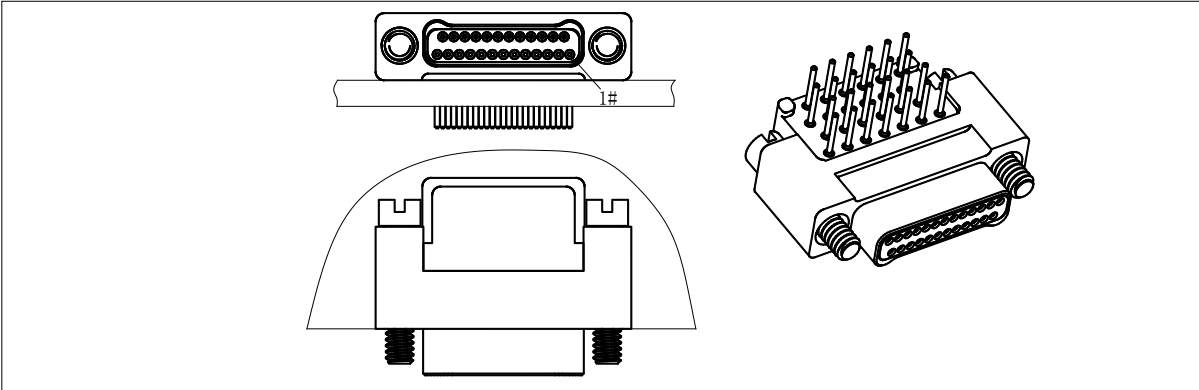
Outline dimension



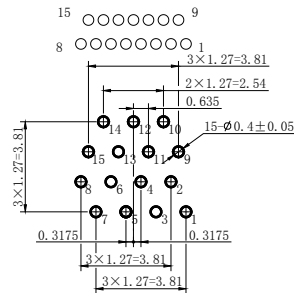
Pin count	Dimension			Pin count	Dimension			Pin count	Diension		
	A	B	C		A	B	C		A	B	C
9pins	9.63	6.86	4.25	15pins	11.53	8.76	6.15	21pins	13.44	10.67	8.06
25pins	14.71	11.94	9.33	31pins	16.61	13.84	11.23	37pins	18.52	15.75	13.14
51pins	22.96	20.19	17.58	65pins	27.41	24.64	22.07	69pins	28.68	25.91	23.3

Remark: All dimensions are in mm

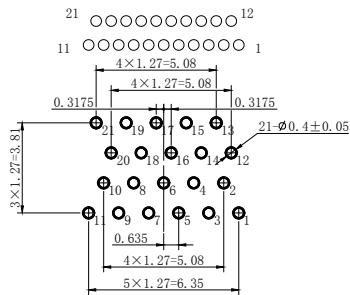
Suggested PCB Layout



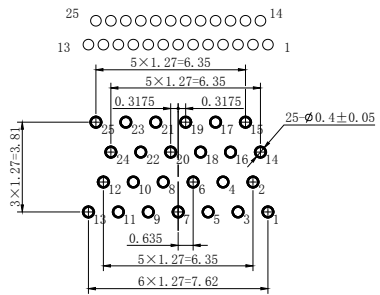
R06-221-F1/F2/F3-9PI-JC



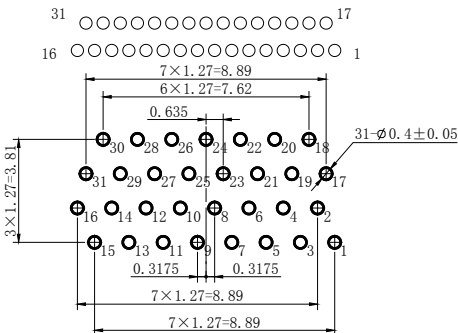
R06-221-F1/F2/F3-15PI-JC



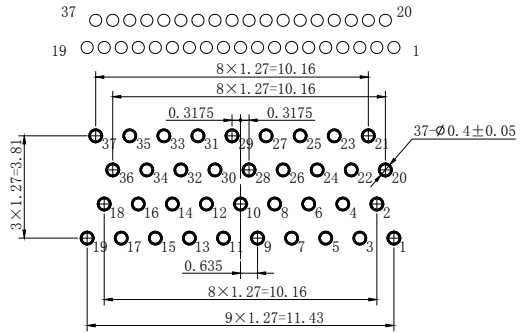
R06-221-F1/F2/F3-21PI-JC



R06-221-F1/F2/F3-25PI-JC



R06-221-F1/F2/F3-31PI-JC

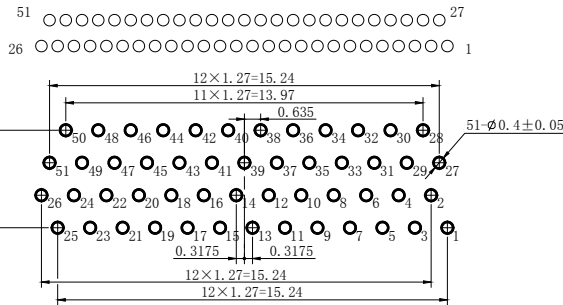
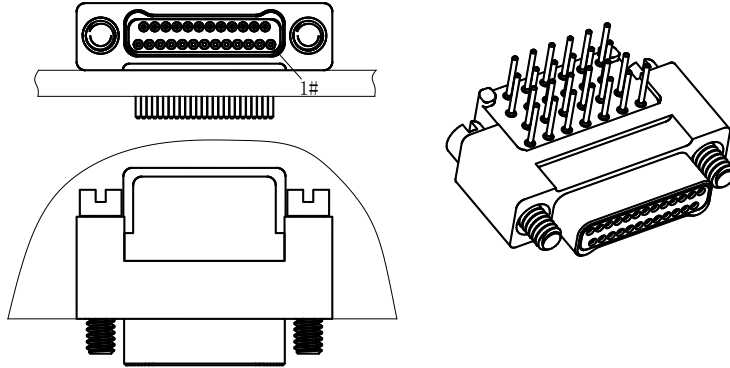


R06-221-F1/F2/F3-37PI-JC

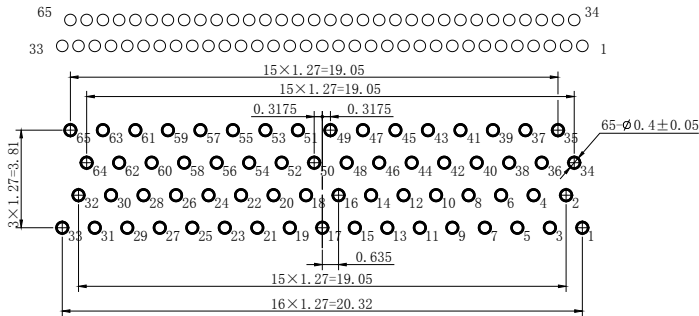
Remark: All dimensions are in mm



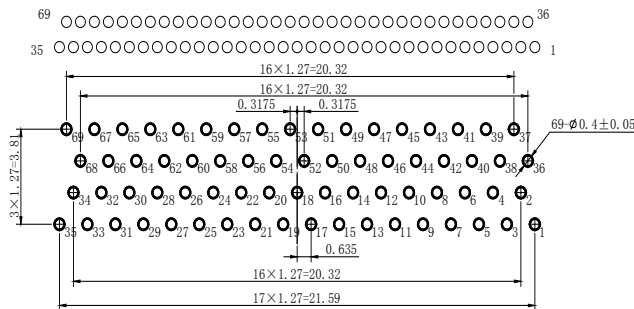
Suggested PCB Layout



R06-221-F1/F2/F3-51PI-JC



R06-221-F1/F2/F3-65PI-JC




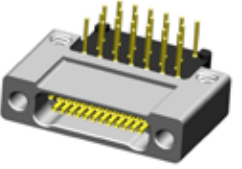
R06-221-F1/F2/F3-69PI-JC

Remark: All dimensions are in mm



R06 Right Angle to PCB Receptacle Series

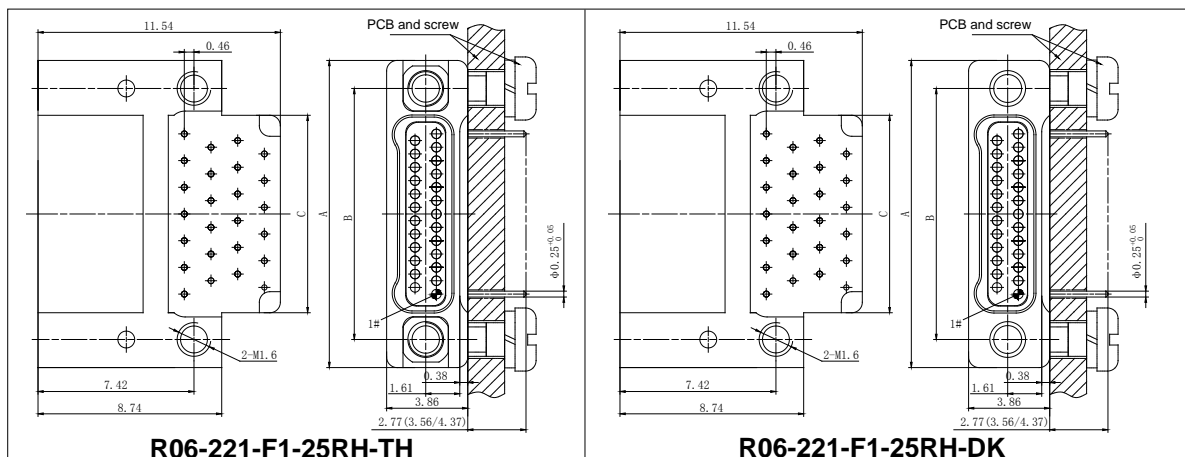
Order marks

Series	R06	-2	2	1	-F	1	-25	RH	-TH	 <p>R06-221-F1-25RH-TH</p>  <p>R06-221-F1-25RH-DK</p>
Contact row:	2 — tow rows									
Shell plating:	2 — nickel plating									
Contact plating:	1 — gold plating									
Tail termination type :	F — 90° right angle to PCB									
Tail length:	1 — 2.77mm 2 — 3.56mm 3 — 4.37mm									
Contact number:	9、15、21、25、31、37、51、65、69									
Contact type :	RH — socket in receptacle									
Locking type:	DK — guide hole TH — connect nut									

Remark

- R06-221-F*-**RH-TH usually mated with plug which have locking screw, R06-221-F*-**RH-DK usually mated with plug which have guide pin
- 3 kinds of tail length, customized produce for other length

Outline dimension

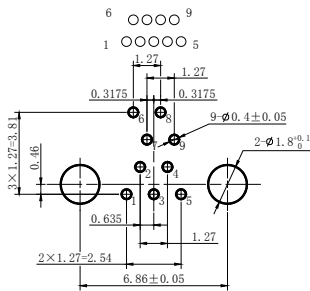
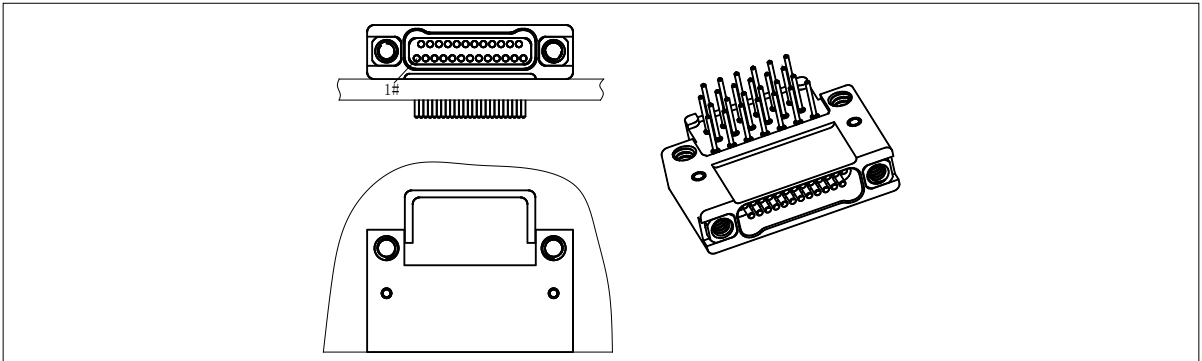


Pin count	Dimension			Pin count	Dimension			Pin count	Dimension		
	A	B	C		A	B	C		A	B	C
9pins	9.63	6.86	4.25	15pins	11.53	8.76	6.15	21pins	13.44	10.67	8.06
25pins	14.71	11.94	9.33	31pins	16.61	13.84	11.23	37pins	18.52	15.75	13.14
51pins	22.96	20.19	17.58	65pins	27.41	24.64	22.03	69pins	28.68	25.91	23.3

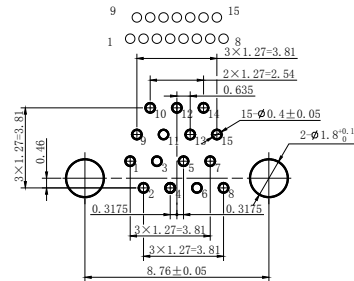
Remark: All dimensions are in mm



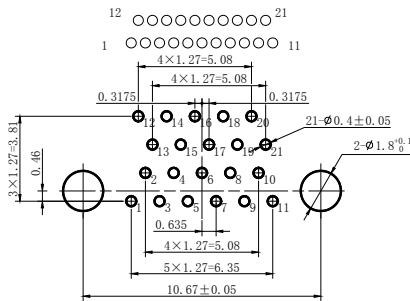
Suggested PCB Layout



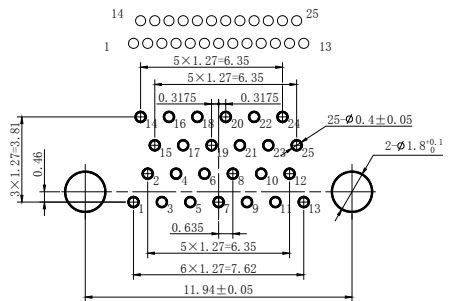
R06-221-F1/F2/F3-9RH-TH



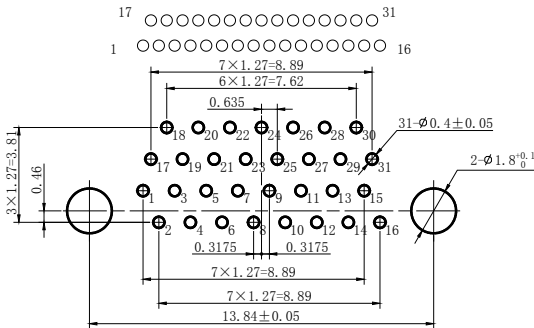
R06-221-F1/F2/F3-15RH-TH



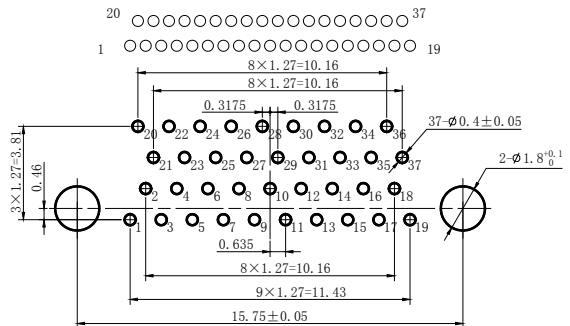
R06-221-F1/F2/F3-21RH-TH



R06-221-F1/F2/F3-25RH-TH



R06-221-F1/F2/F3-31RH-TH

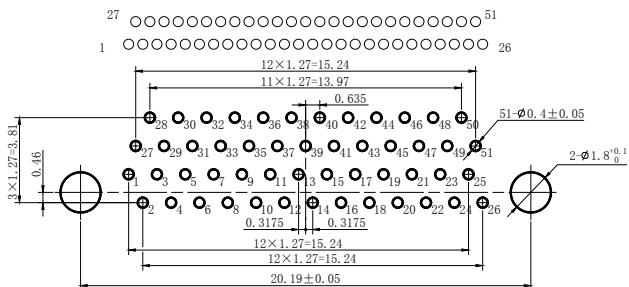
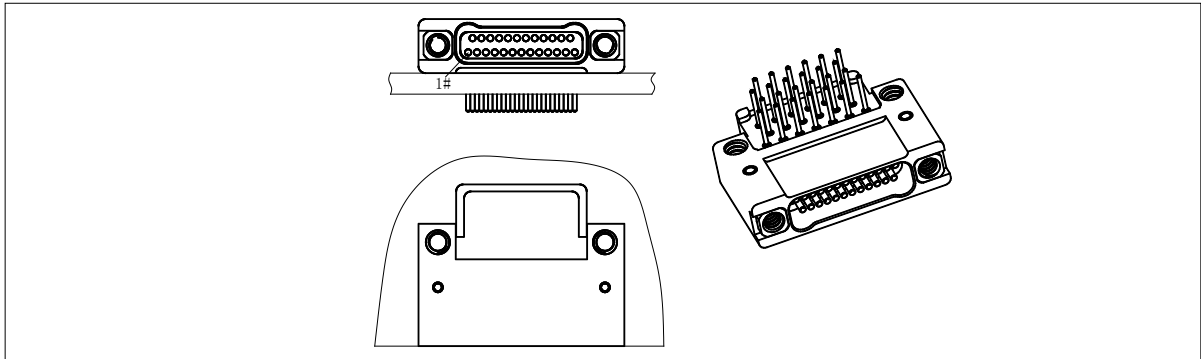


R06-221-F1/F2/F3-37RH-TH

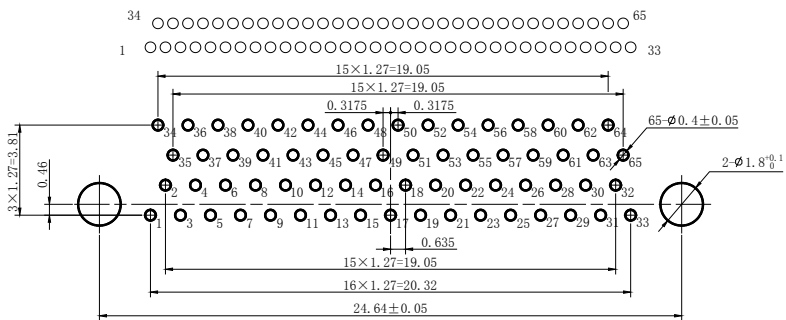
Remark: All dimensions are in mm



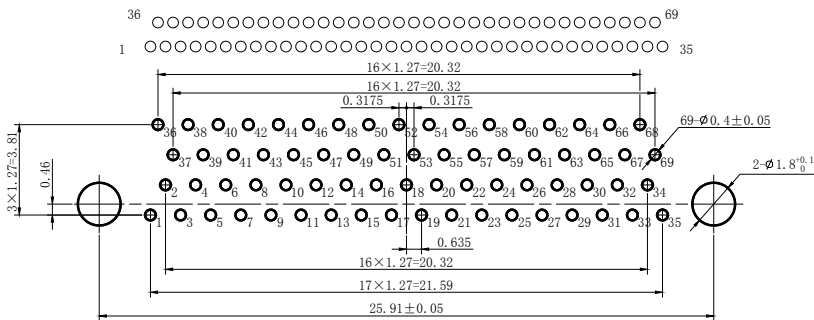
Suggested PCB Layout



R06-221-F1/F2/F3-51RH-TH



R06-221-F1/F2/F3-65RH-TH



R06-221-F1/F2/F3-69RH-TH

Remark: All dimensions are in mm

MIL-DTL-32139 Nano D-sub Connectors

R06 SMT Series

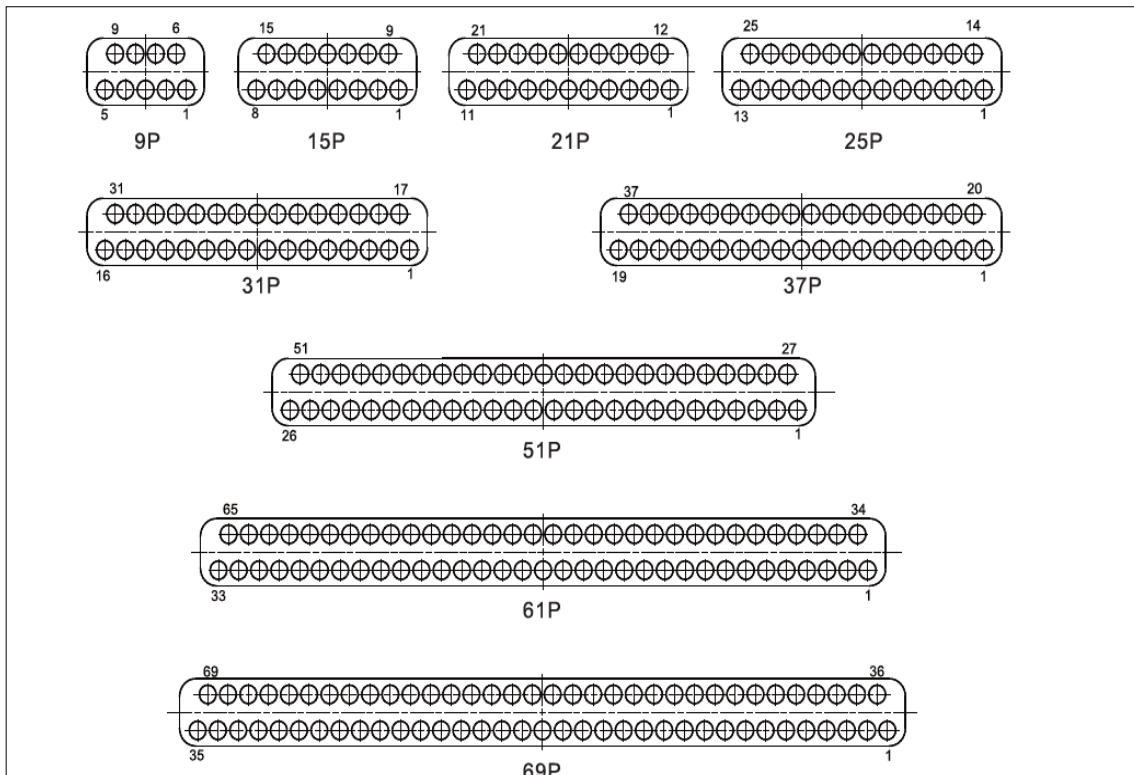
Brief introduction

- Contacts:9,15,21,25,31,37,51,65,69
- Twist flexible micro pin (twist pin), 0.635mm pitch, micro miniature outline dimension
- Screw nut locking, it is gently when insert and extract, stably locked
- It is used for all kinds for electric circuit system interconnection which have high density, micro, light, highly reliable requirement, it can meet light and miniaturize demand
- Plug with twist pin, receptacle with socket, free terminal with locking screw, fixed terminal with nut, standard mated connector locked by screw and nut
- Standard: MIL-DTL-32139
- Undefined tolerance is ± 0.13

Specification

- | | | | |
|---|---------------------------------|--------------------------|----------------------------------|
| ■ Environment: | -55°C~+125°C | ■ Contact resistance: | $\leq 21\text{m}\Omega$ |
| ■ Vibration: | 10Hz~2000Hz 196m/s ² | ■ Insulation resistance: | $\geq 5000\text{M}\Omega$ 100VDC |
| ■ Shock: | 980m/s ² 6ms | ■ Dielectric strength: | 250V |
| ■ Rated current: | 1A | ■ Machine life: | 200 times |
| ■ Random vibration: power spectrum density 0.4G ² /Hz, r.m.s value of total acceleration 23.1G | | | |

Contact layout



Remark: The above layout is view from plug mate side end face



How to order


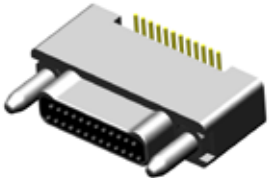
Series	R06	-2	2	1	-M	2	-9	PI	-TH
Contact row: 2 — tow rows									
Shell plating: 2 — nickel plating									
Contact plating: 1 — gold plating									
Tail termination type : M— SMT									
Mounting style: 2— vertical SMT 3 — horizontal SMT 8 — straddle flexible SMT									
Contact number: 9、15、21、25、31、37、51、65、69									
Contact type PI — pin in plug RH— socket in receptacle									
Locking component type: JC— locking screw(straight slot) JC1— locking screw(hex, not recommend) TH— connect nut NH— guide hole with nut mounted DZ— guide pin TH1— solder nut SH— solder guide hole									

Choose mating connector

- When choosing mating connector with locking accessories usually choose the locking component which one side with connect nut(TH), the other side with locking screw(JC).
- When choosing product with guide accessories,connector without locked component but only with guide component,it need fix on mounting panel after mated,for avoiding connector take off. When choosing mating connector with guide components usually choose the guide component which one side with guide pin, the other side with guide hole

R06 Vertical SMT Plug Series

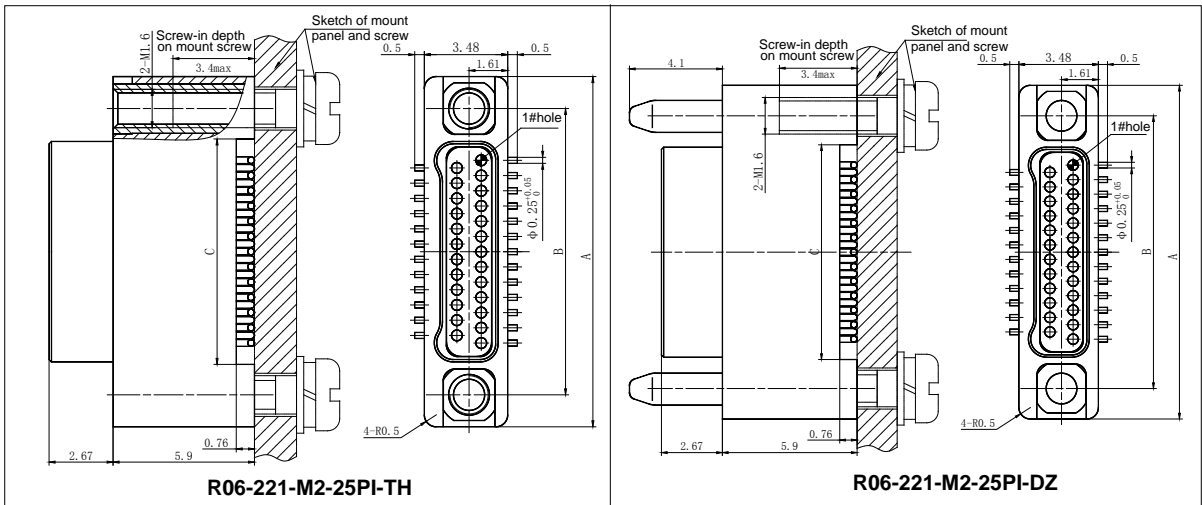
Order marks

Series	R06	-2	2	1	-M	2	-25	PI	-TH	 <p>R06-221-M2-25PI-TH</p>  <p>R06-221-M2-25PI-DZ</p>
Contact row: 2 — tow rows										
Shell plating: 2 — nickel plating										
Contact plating: 1 — gold plating										
Tail termination type : M— SMT										
Mounting style: 2— vertical SMT										
Contact number: 9、15、21、25、31、37、51、65、69										
Contact type: PI — pin in plug										
Locking component type: TH— connect nut DZ— guide pin										

Remark

- R06-221-M2-25PI-TH usually mated with receptacle which have locking screw, R06-221-M2-25PI-DZ usually mated with receptacle which have guide hole

Outline dimension

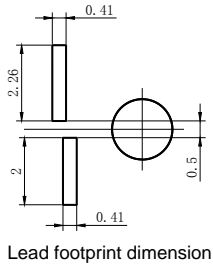


Pin count	Dimension			Pin count	Dimension			Pin count	Dimension		
	A	B	C		A	B	C		A	B	C
9pins	9.63	6.86	4.31	15pins	11.53	8.76	6.22	21pins	13.44	10.67	8.13
25pins	14.71	11.94	9.4	31pins	16.61	13.84	11.3	37pins	18.52	15.75	13.21
51pins	22.96	20.19	17.65	65pins	27.41	24.64	22.10	69pins	28.68	25.91	23.37

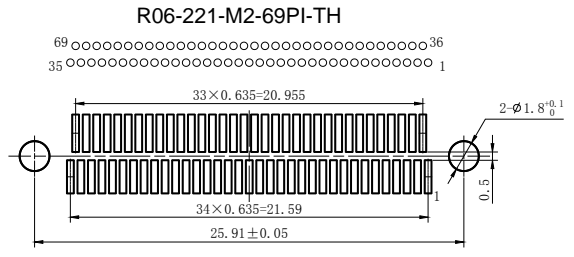
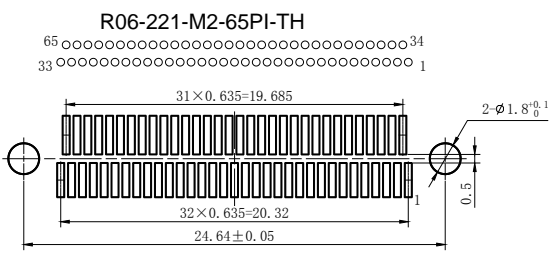
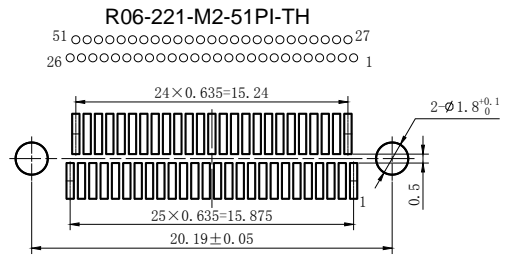
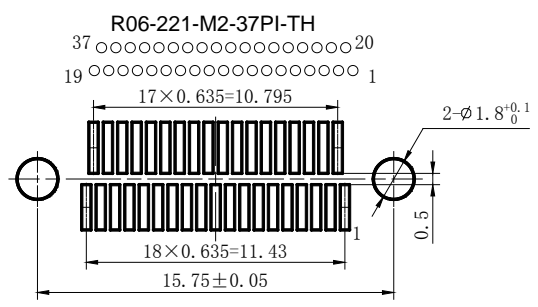
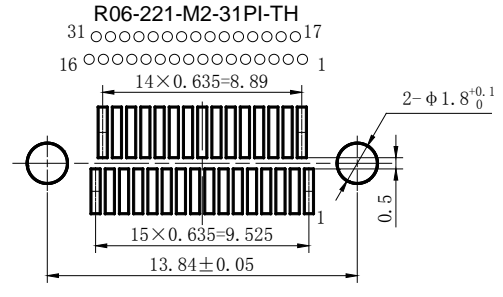
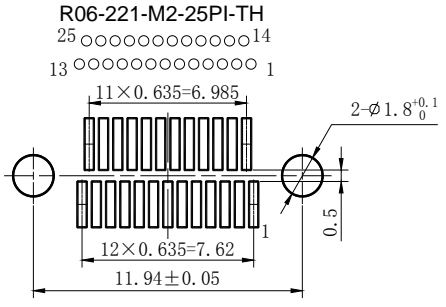
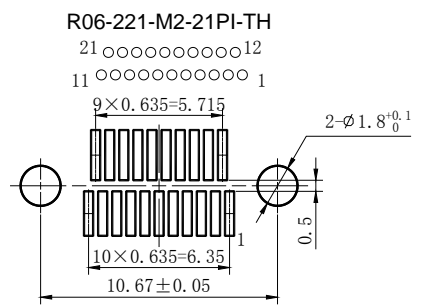
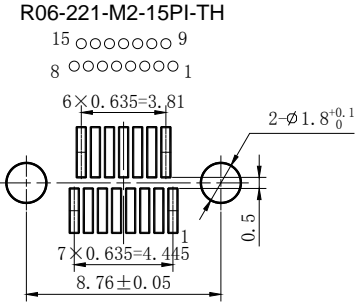
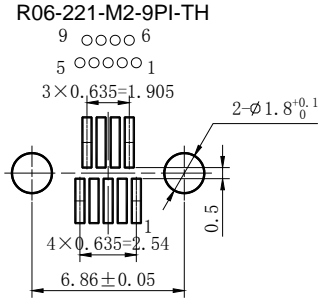
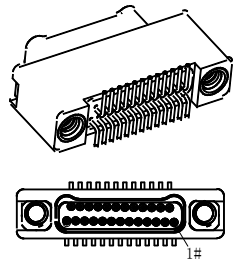
Remark: All dimensions are in mm



Suggested PCB Layout



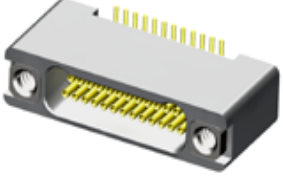
Lead footprint dimension



Remark: All dimensions are in mm

R06 Vertical SMT Receptacle Series

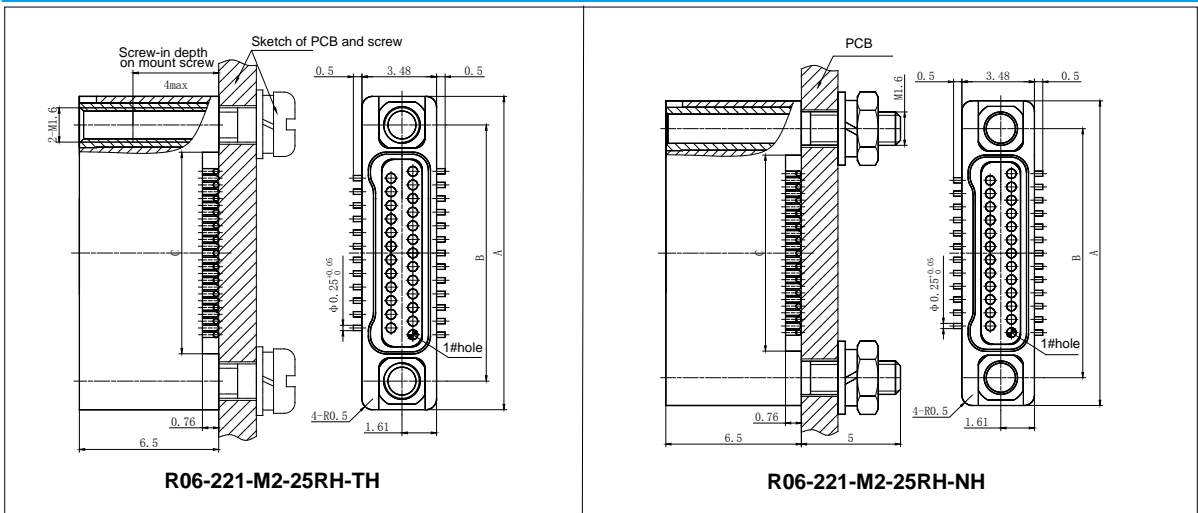
Order marks

Series	R06	-2	2	1	-M	2	-25	RH	-TH	 <p>R06-221-M2-25RH-TH</p>
Contact row: 2 — tow rows										
Shell plating: 2 — nickel plating										
Contact plating: 1 — gold plating										
Tail termination type : M— SMT										
Mounting style: 2— vertical SMT										
Contact number: 9、15、21、25、31、37、51、65、69										
Contact type: RH— socket in receptacle										
Locking component type: TH— connect nut NH— guide hole with nut mounted										

Remark

- R06-221-M2-25RH-TH usually mated with plug which have locking screw, R06-221-M2-25RH-NH usually mated with plug which have guide pin

Outline dimension

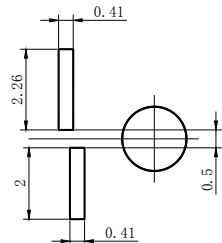


Pin count	Dimension			Pin count	Dimension			Pin count	Dimension		
	A	B	C		A	B	C		A	B	C
9pins	9.63	6.86	4.31	15pins	11.53	8.76	6.22	21pins	13.44	10.67	8.13
25pins	14.71	11.94	9.4	31pins	16.61	13.84	11.3	37pins	18.52	15.75	13.21
51pins	22.96	20.19	17.65	65pins	27.41	24.64	22.10	69pins	28.68	25.91	23.37

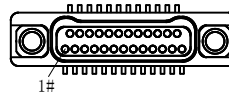
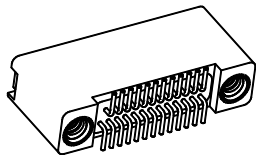
Remark: All dimensions are in mm



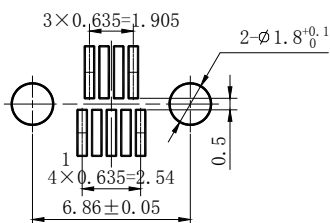
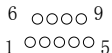
Suggested PCB Layout



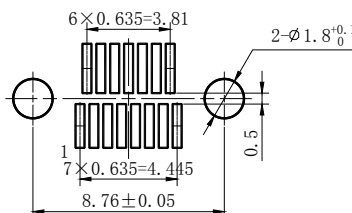
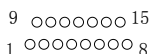
Lead footprint dimension



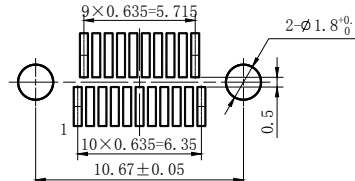
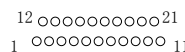
R06-221-M2-9RH-TH



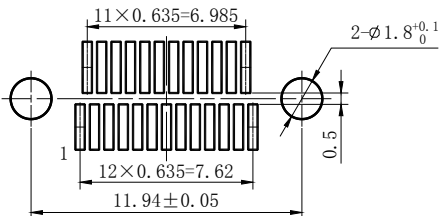
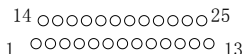
R06-221-M2-15RH-TH



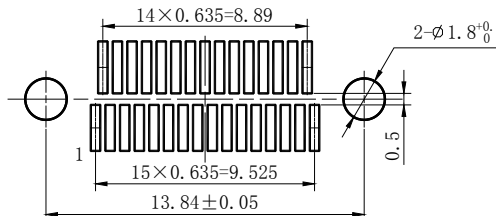
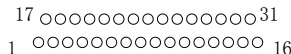
R06-221-M2-21RH-TH



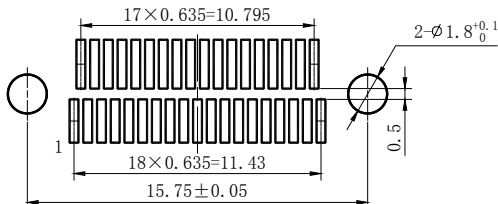
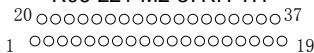
R06-221-M2-25RH-TH



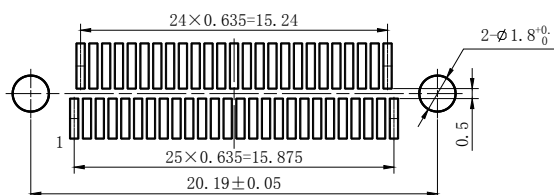
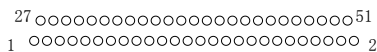
R06-221-M2-31RH-TH



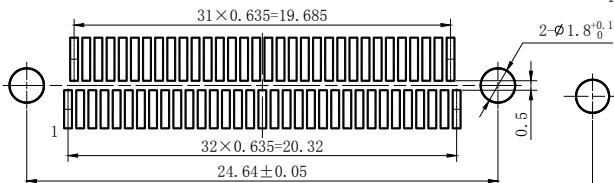
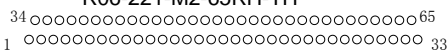
R06-221-M2-37RH-TH



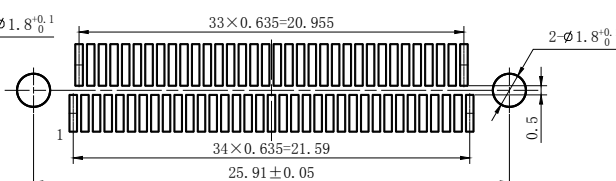
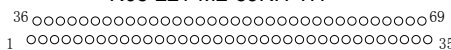
R06-221-M2-51RH-TH



R06-221-M2-65RH-TH



R06-221-M2-69RH-TH



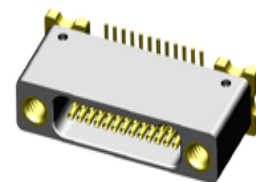
Remark: All dimensions are in mm



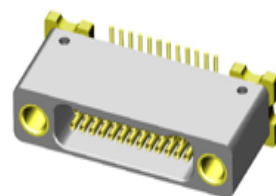
R06 Vertical SMT Receptacle with Solder Locking Component Series

Order marks

Series	R06	-2	2	1	-M	2	-25	RH	-TH1
Contact row:	2 — tow rows								
Shell plating:	2 — nickel plating								
Contact plating:	1 — gold plating								
Tail termination type :	M— SMT								
Mounting style:	2— vertical SMT								
Contact number:	9、15、21、25、31、37、51、65、69								
Contact type:	RH— socket in receptacle								
Locking component type:	TH1— solder nut SH— solder guide hole								



R06-221-M2-25RH-TH1

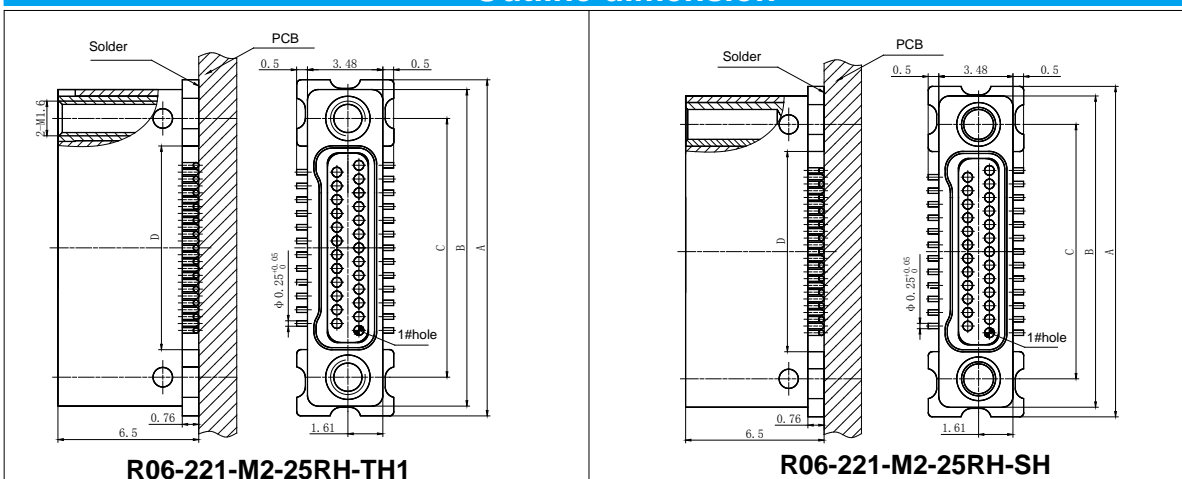


R06-221-M2-25RH-SH

Remark

- Connector of mounting hole solder by SMT, suit for PCB which can't design mounting hole
- R06-221-M2-**RH-TH1 usually mated with plug which have locking screw, R06-221-M2-**RH-SH usually mated with plug which have guide pin

Outline dimension



R06-221-M2-25RH-TH1

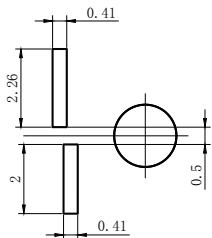
R06-221-M2-25RH-SH

Pin count	Dimension				Pin count	Dimension			
	A	B	C	D		A	B	C	D
9pins	10.43	9.63	6.86	4.31	15pins	12.33	11.53	8.76	6.22
21pins	14.24	13.44	10.67	8.13	25pins	15.51	14.71	11.94	9.4
31pins	17.41	16.61	13.84	11.30	37pins	19.32	18.52	15.75	13.21
51pins	23.76	22.96	20.19	17.65	65pins	28.21	27.41	24.64	22.10
69pins	29.48	28.68	25.91	23.37					

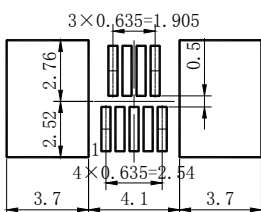
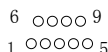
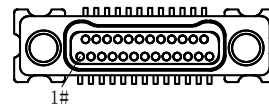
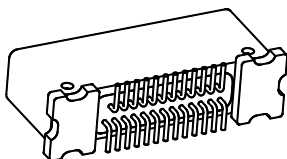
Remark: All dimensions are in mm



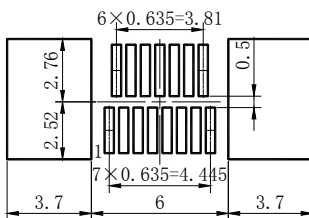
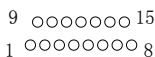
Suggested PCB Layout



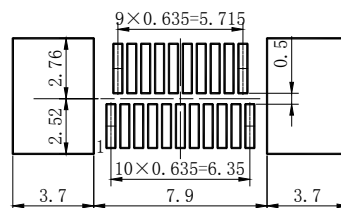
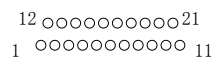
Lead footprint dimension



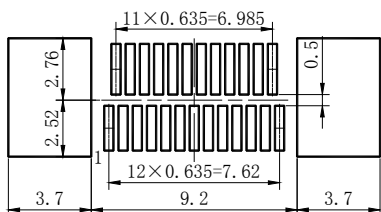
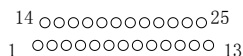
R06-221-M2-9RH-TH1



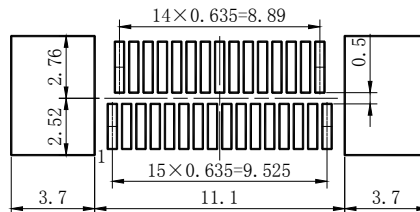
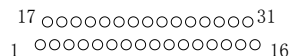
R06-221-M2-15RH-TH1



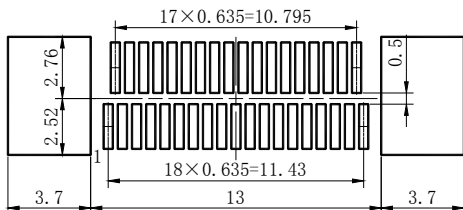
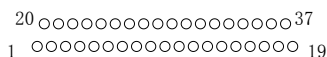
R06-221-M2-21RH-TH1



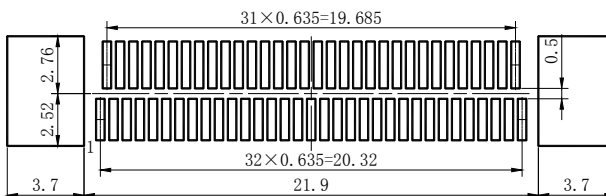
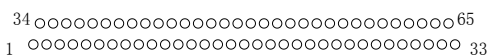
R06-221-M2-25RH-TH1



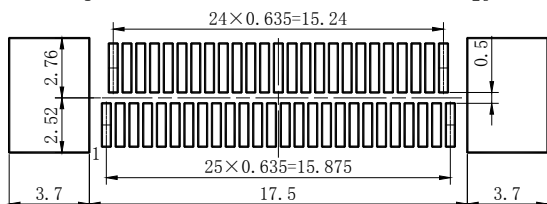
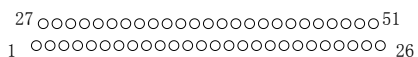
R06-221-M2-31RH-TH1



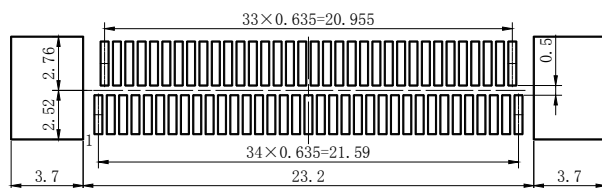
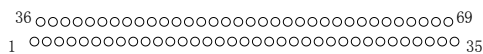
R06-221-M2-37RH-TH1



R06-221-M2-65RH-TH1



R06-221-M2-51RH-TH1




R06-221-M2-69RH-TH1

Remark: All dimensions are in mm

R06 Horizontal SMT Plug Series

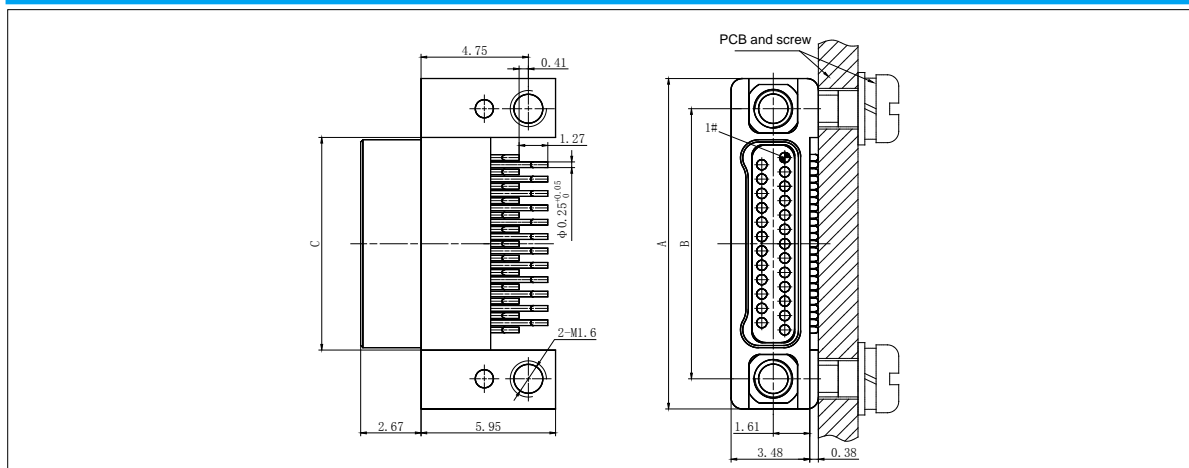
Order marks

Series	R06	-2	2	1	-M	3	-25	PI	-TH	 <p>R06-221-M3-25PI-TH</p>
Contact row:										
2 — tow rows										
Shell plating:										
2 — nickel plating										
Contact plating:										
1 — gold plating										
Tail termination type :										
M — SMT										
Mounting style:										
3 — horizontal SMT										
Contact number:										
9、15、21、25、31、37、51、65、69										
Contact type:										
PI — pin in plug										
Locking component type:										
TH — connect nut										

Remark

- R06-221-M3-25PI-TH usually mated with receptacle which have locking screw

Outline dimension

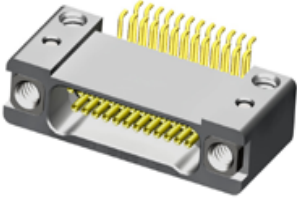


Pin count	Dimension			Pin count	Dimension			Pin count	Dimension		
	A	B	C		A	B	C		A	B	C
9pins	9.63	6.86	4.31	15pins	11.53	8.76	6.22	21pins	13.44	10.67	8.13
25pins	14.71	11.94	9.4	31pins	16.61	13.84	11.3	37pins	18.52	15.75	13.21
51pins	22.96	20.19	17.65	65pins	27.41	24.64	22.10	69pins	28.68	25.91	23.37

Remark: All dimensions are in mm

R06 Horizontal SMT Receptacle Series

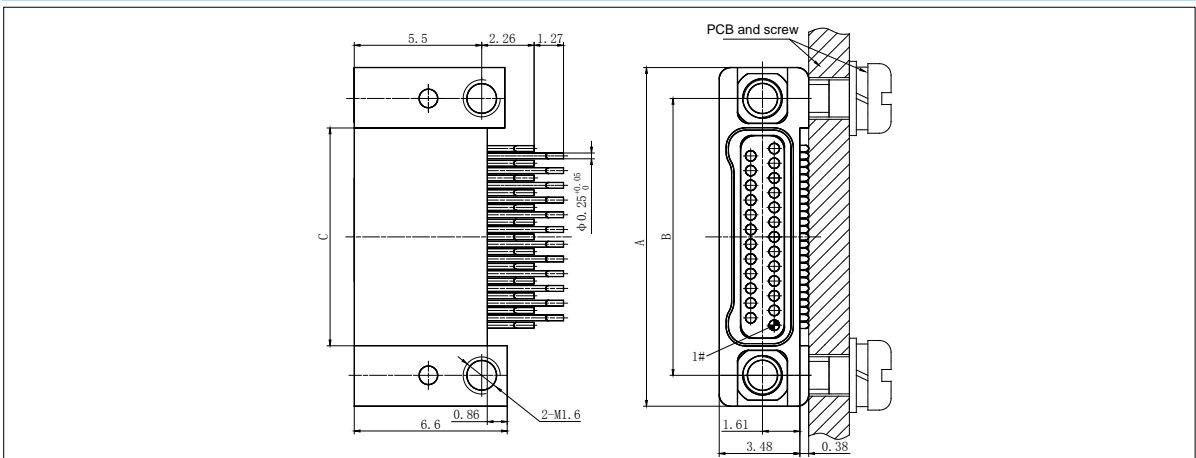
Order marks

Series	R06	-2	2	1	-M	3	-25	RH	-TH	 <p>R06-221-M3-25RH-TH</p>
Contact row:										
2 — tow rows										
Shell plating:										
2 — nickel plating										
Contact plating:										
1 — gold plating										
Tail termination type :										
M— SMT										
Mounting style:										
3 — horizontal SMT										
Contact number:										
9、15、21、25、31、37、51、65、69										
Contact type:										
RH— socket in receptacle										
Locking component type:										
TH— connect nut										

Remark

- R06-221-M3-*RH-TH usually mated with plug which have locking screw

Outline dimension

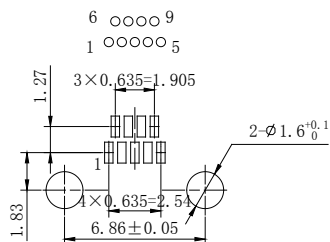
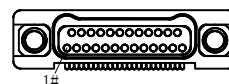
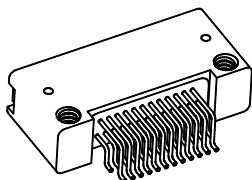
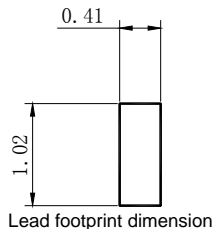


Pin count	Dimension			Pin count	Dimension			Pin count	Dimension		
	A	B	C		A	B	C		A	B	C
9pins	9.63	6.86	4.31	15pins	11.53	8.76	6.22	21pins	13.44	10.67	8.13
25pins	14.71	11.94	9.4	31pins	16.61	13.84	11.3	37pins	18.52	15.75	13.21
51pins	22.96	20.19	17.65	65pins	27.41	24.64	22.10	69pins	28.68	25.91	23.37

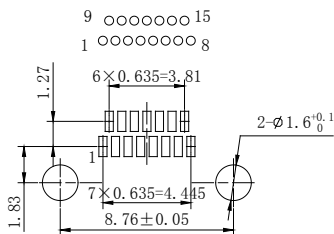
Remark: All dimensions are in mm



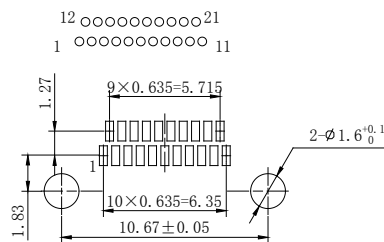
Suggested PCB Layout



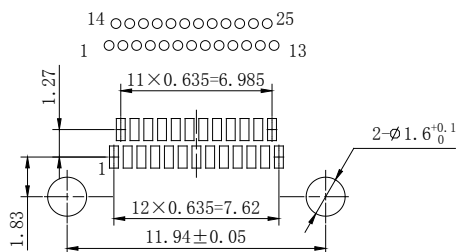
R06-221-M3-9RH-TH



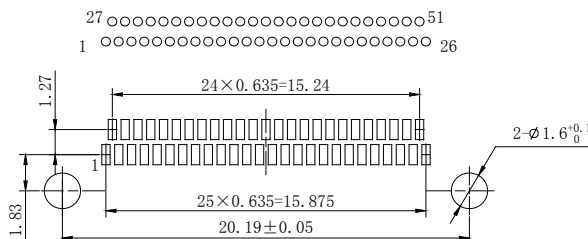
R06-221-M3-15RH-TH



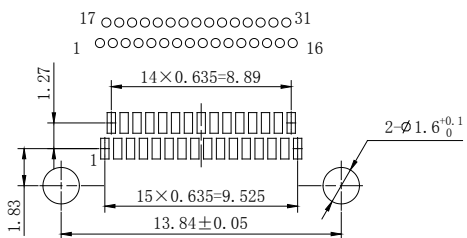
R06-221-M3-21RH-TH



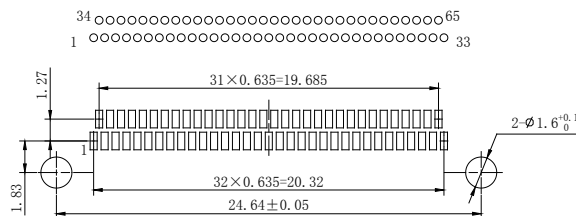
R06-221-M3-25RH-TH



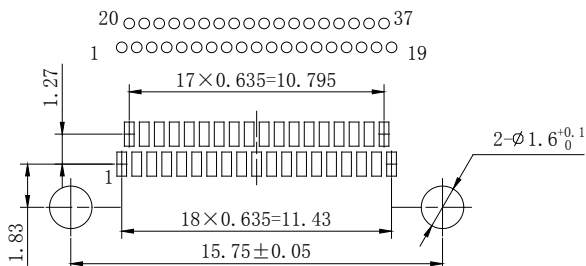
R06-221-M3-51RH-TH



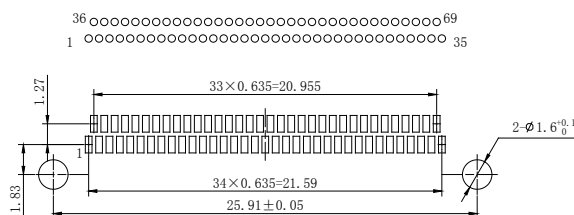
R06-221-M3-31RH-TH



R06-221-M3-65RH-TH



R06-221-M3-37RH-TH




R06-221-M3-69RH-TH

Remark: All dimensions are in mm

R06 Straddle Flexible SMT Plug Series

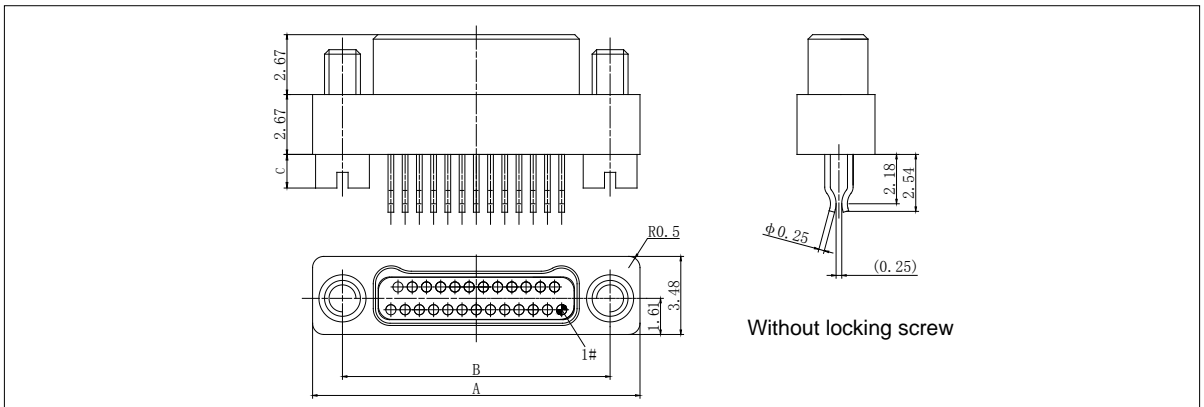
Order marks

Series	R06	-2	2	1	-M	8	-25	PI	-JC	 <p>R06-221-M8-25PI-JC</p>
Contact row:										
2 — tow rows										
Shell plating:										
2 — nickel plating										
Contact plating:										
1 — gold plating										
Tail termination type :										
M— SMT										
Mounting style:										
8 — straddle flexible SMT										
Contact number:										
9、15、21、25、31、37、51、65、69										
Contact type:										
PI — pin in plug										
Locking component type:										
JC— locking screw(straight slot, C dimension=1.5mm)										
JC1— locking screw(hex, not recommend , C dimension=2.1mm)										

Remark

- Connector is free mounted,not fixed,usually mated with receptacle which have nut
- Recommended JC(straight slot screw) types of screws,tight by miniature straight screwdriver
- When choose JC1(hex) type of screws,tight by 1.27mm subtense hex screwdriver.
- PC tail solder on flexible PCB,PCB thickness is 0.25MAX.

Outline dimension

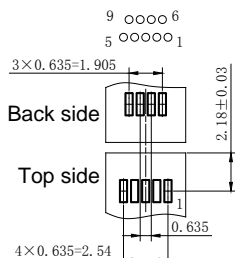
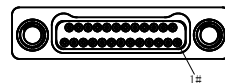
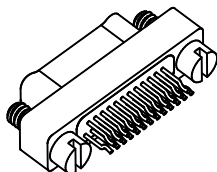
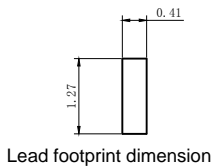


Pin count	Dimension		Pin count	Dimension		Pin count	Diension	
	A	B		A	B		A	B
9pins	9.63	6.86	15pins	11.53	8.76	21pins	13.44	10.67
25pins	14.71	11.94	31pins	16.61	13.84	37pins	18.52	15.75
51 pins	22.96	20.19	65pins	27.41	24.64	69pins	28.68	25.91

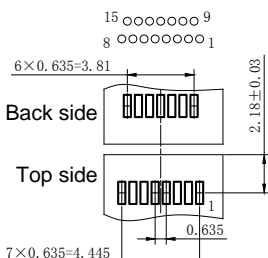
Remark: All dimensions are in mm



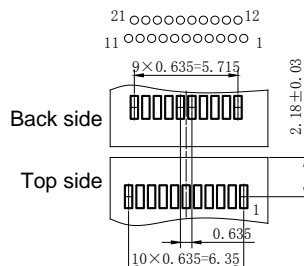
Suggested PCB Layout



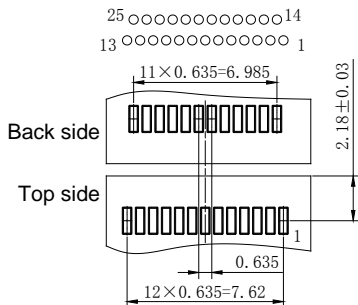
R06-221-M8-9PI-JC



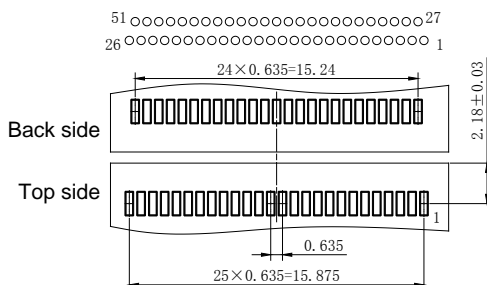
R06-221-M8-15PI-JC



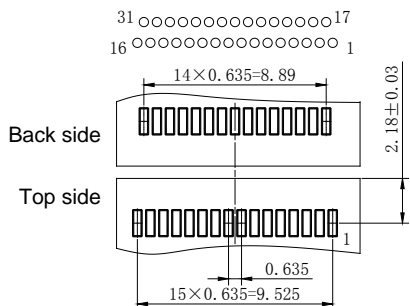
R06-221-M8-21PI-JC



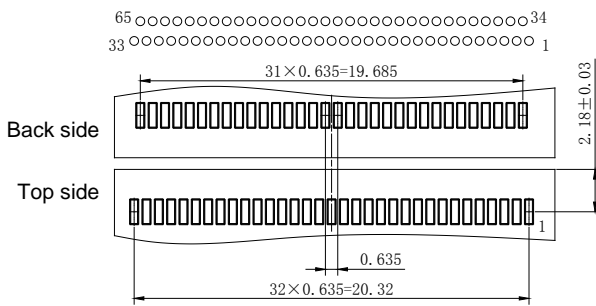
R06-221-M8-25PI-JC



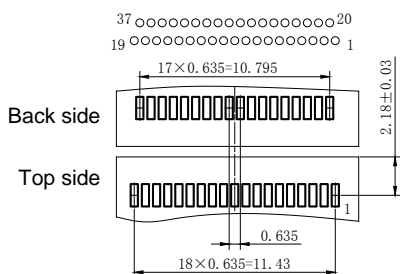
R06-221-M8-51PI-JC



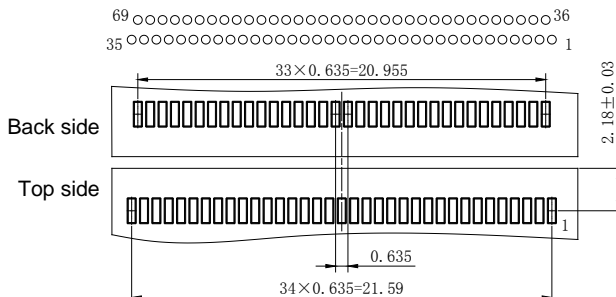
R06-221-M8-31PI-JC



R06-221-M8-65PI-JC



R06-221-M8-37PI-JC

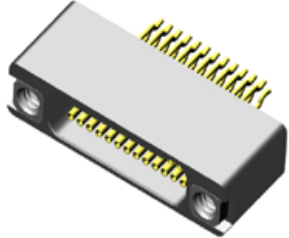


R06-221-M8-69PI-JC

Remark: All dimensions are in mm

R06 Straddle Flexible SMT Receptacle Series

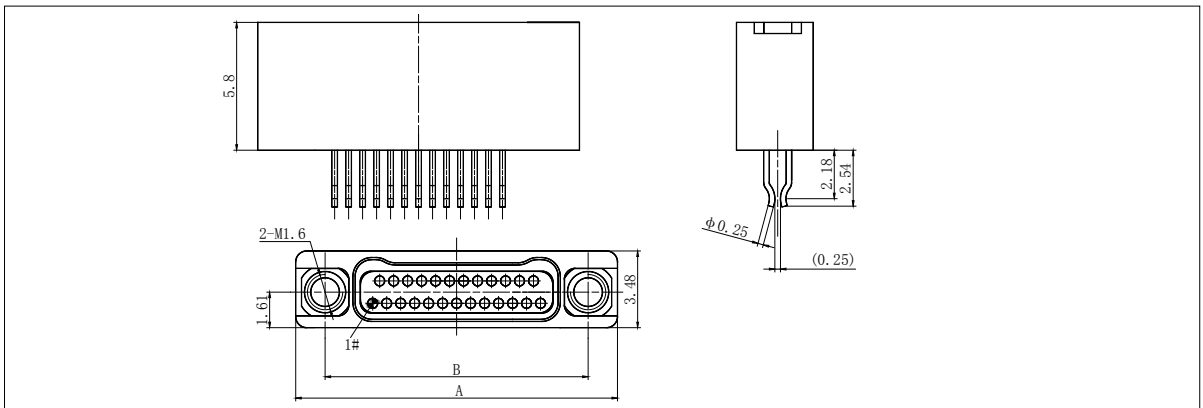
Order marks

Series	R06	-2	2	1	-M	8	-25	RH	-TH	 <p>R06-221-M8-25RH-TH</p>
Contact row:										
2 — tow rows										
Shell plating:										
2 — nickel plating										
Contact plating:										
1 — gold plating										
Tail termination type :										
M— SMT										
Mounting style:										
8 — straddle flexible SMT										
Contact number:										
9、15、21、25、31、37、51、65、69										
Contact type:										
RH— socket in receptacle										
Locking component type:										
TH— connect nut										

Remark

- Connector is free mounted,not fixed,usually mated with plug which have screw
- PC tail solder on flexible PCB,PCB thickness is 0.25MAX.

Outline dimension

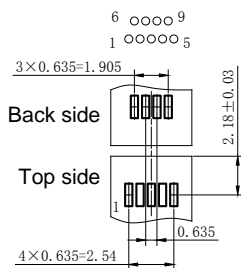
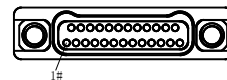
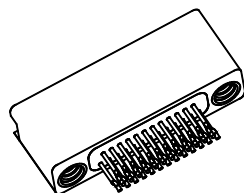
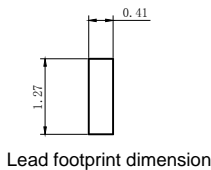


Pin count	Dimension		Pin count	Dimension		Pin count	Diension	
	A	B		A	B		A	B
9pins	9.63	6.86	15pins	11.53	8.76	21pins	13.44	10.67
25pins	14.71	11.94	31pins	16.61	13.84	37pins	18.52	15.75
51pins	22.96	20.19	65pins	27.41	24.64	69pins	28.68	25.91

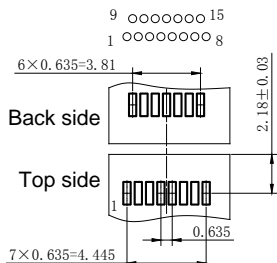
Remark: All dimensions are in mm



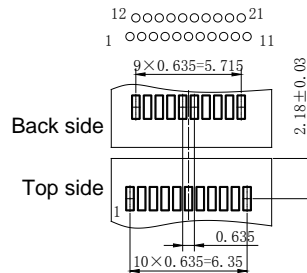
Suggested PCB Layout



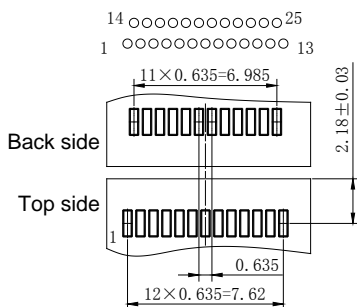
R06-221-M8-9RH-TH



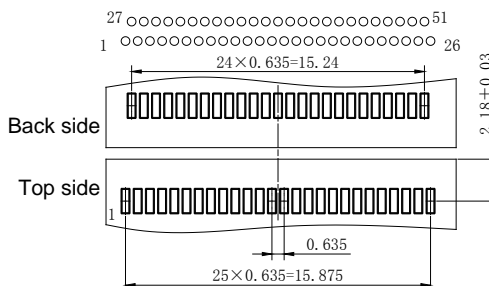
R06-221-M8-15RH-TH



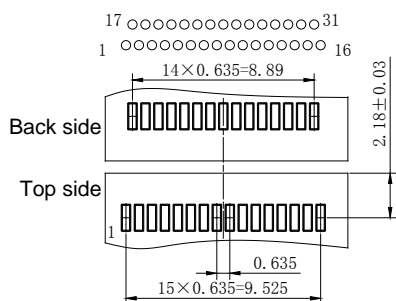
R06-221-M8-21RH-TH



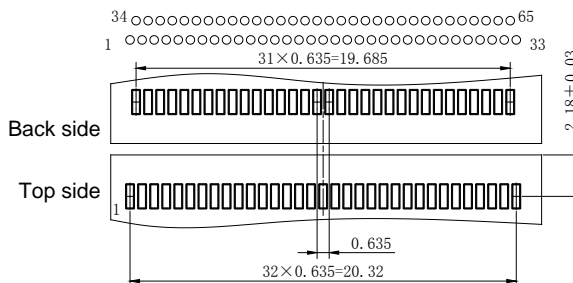
R06-221-M8-25RH-TH



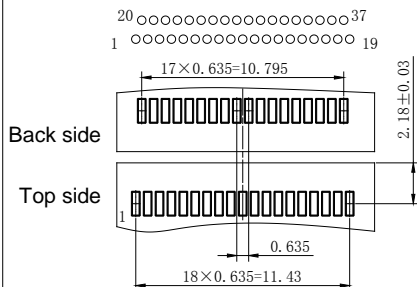
R06-221-M8-51RH-TH



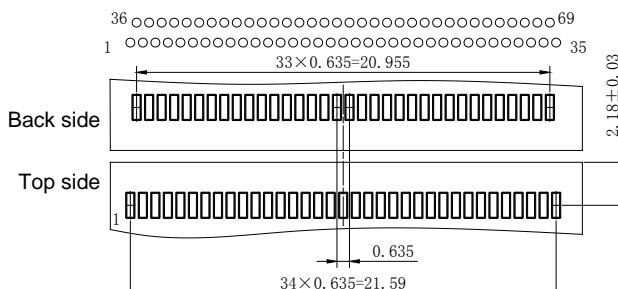
R06-221-M8-31RH-TH



R06-221-M8-65RH-TH



R06-221-M8-37RH-TH



R06-221-M8-69RH-TH

Remark: All dimensions are in mm



MIL-DTL-32139 Nano D-sub Connectors

R06 Crimp Contact Series

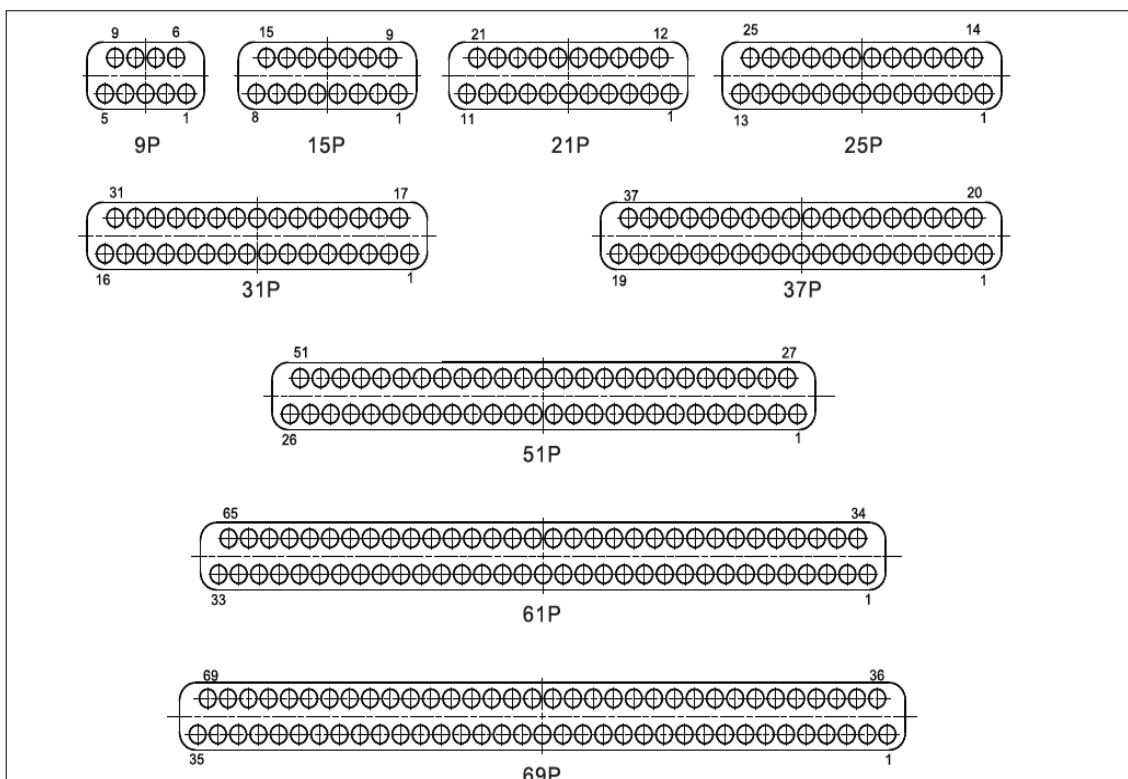
Brief introduction

- Contacts:9,15,21,25,31,37,51,65,69
- Twist flexible micro pin (twist pin), 0.635mm pitch, micro miniature outline dimension
- Screw nut locking, it is gently when insert and extract, stably locked
- It is used for all kinds for electric circuit system interconnection which have high density, micro, light, highly reliable requirement, it can meet light and miniaturize demand
- Plug with twist pin, receptacle with socket, free terminal with locking screw, fixed terminal with nut, standard mated connector locked by screw and nut
- Standard: MIL-DTL-32139
- The sectional area of crimp conductive cable is 0.035mm²
- Undefined tolerance is±0.13

Specification

- | | | | |
|---|---------------------------------|--------------------------|----------------|
| ■ Environment: | -55℃~+125℃ | ■ Contact resistance: | ≤21mΩ |
| ■ Vibration: | 10Hz~2000Hz 196m/s ² | ■ Insulation resistance: | ≥5000MΩ 100VDC |
| ■ Shock: | 980m/s ² 6ms | ■ Dielectric strength: | 250V |
| ■ Rated current: | 1A | ■ Machine life: | 200 times |
| ■ Random vibration: power spectrum density 0.4G ² /Hz, r.m.s value of total acceleration 23.1G | | | |

Contact layout



Remark: The above layout is view from plug mate side end face

How to order

Series	R06	-2	2	1	-C	2	-9	PI	0	-TH
Contact row: 2 — tow rows										
Shell plating: 2 — nickel plating										
Contact plating: 1 — gold plating										
Tail termination type : C— crimp										
Mounting style: 1 —free mounted 2— vertical mounted 3 — horizontal mounted 4 — crimp siamese 5 — nut mounted 6 — Flange mounted 7 — Floating mounted										
Contact number: 9、15、21、25、31、37、51、65、69										
Contact type PI — pin in plug RH— socket in receptacle PP— plug interconnect plug PS— plug interconnect receptacle SS— receptacle interconnect receptacle										
Tail cover : 0— without tail cover 1— with tail cover										
Locking component type: 00 — without locking component JC— locking screw(straight slot) JC1— locking screw(hex, not recommend) TH— connect nut NH— guide hole with nut mounted										

Choose mating connector

- When choosing mating connector with locking accessories usually choose the locking component which one side with connect nut(TH), the other side with locking screw(JC).
- When choosing product with guide accessories,connector without locked component but only with guide component,it need fix on mounting panel after mated,for avoiding connector take off. When choosing mating connector with guide components usually choose the guide component which one side with guide pin, the other side with guide hole

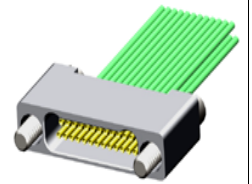
Free Mounted Crimp Series

Order marks

Series	R06	-2	2	1	-C	1	-25	PI	0	-JC
Contact row: 2 — tow rows										
Shell plating: 2 — nickel plating										
Contact plating: 1 — gold plating										
Termination type : C — crimp										
Mounting style: 1 — free mounted										
Contact number: 9、15、21、25、31、37、51、65、69										
Contact type PI — pin in plug RH — socket in receptacle										
Tail cover : 0 — without tail cover										
Locking type: JC — locking screw(straight slot, C dimension=1.5mm) JC1 — locking screw(hex, not recommend , C dimension=2.1mm)										



plug

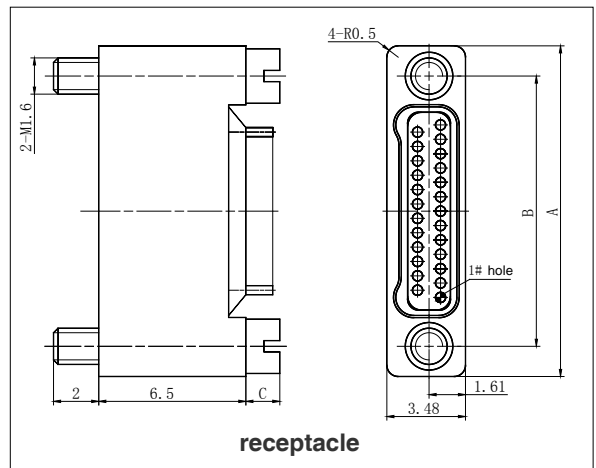
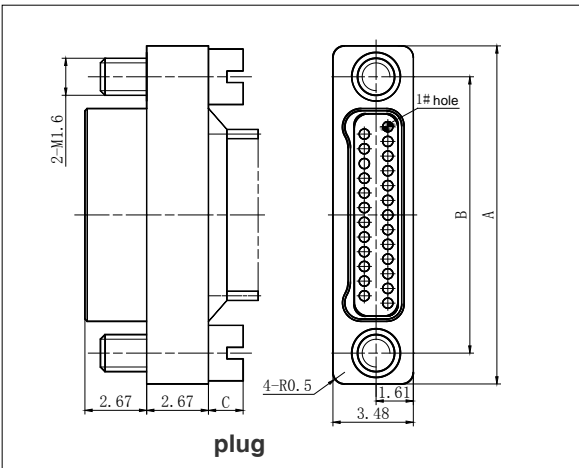


receptacle

Remark

- Locking screw fixed on the outer shell, can't disassembly
- Connector is free mounted, not fixed, usually mated with connector which have nut
- Recommended JC(straight slot) types of screws, tight by miniature straight screwdriver
- When choose JC1(hex) type of screws, tight by 1.27mm subtense hex screwdriver.

Outline dimension




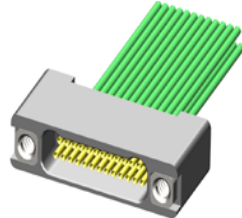
Pin count	Dimension		Pin count	Dimension		Pin count	Diension	
	A	B		A	B		A	B
9pins	9.63	6.86	15pins	11.53	8.76	21pins	13.44	10.67
25pins	14.71	11.94	31pins	16.61	13.84	37pins	18.52	15.75
51pins	22.96	20.19	65pins	27.41	24.64	69pins	28.68	25.91

Remark: All dimensions are in mm



Vertical Mounted Crimp Series

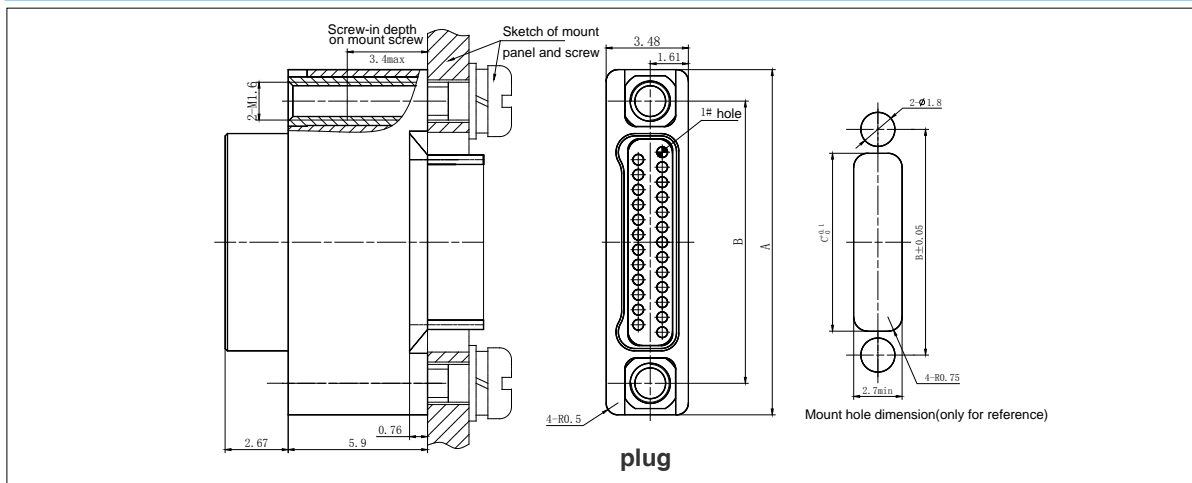
Order marks

Series	R06	-2	2	1	-C	2	-25	RH	0	-TH	 <p>plug</p>  <p>receptacle</p>
Contact row:	2 — tow rows										
Shell plating:	2 — nickel plating										
Contact plating:	1 — gold plating										
Termination type :	C — crimp										
Mounting style:	2 — vertical mounted										
Contact number:	9、15、21、25、31、37、51、65、69										
Contact type	PI — pin in plug					RH — socket in receptacle					
Tail cover :	0 — without tail cover										
Locking type:	TH — connect nut										

Remark

- Connecting nut with thread structure forepart used for locking screw,back part used for mounting
- The connector with connect nut that usually mated with connector which have locking screw

Outline dimension



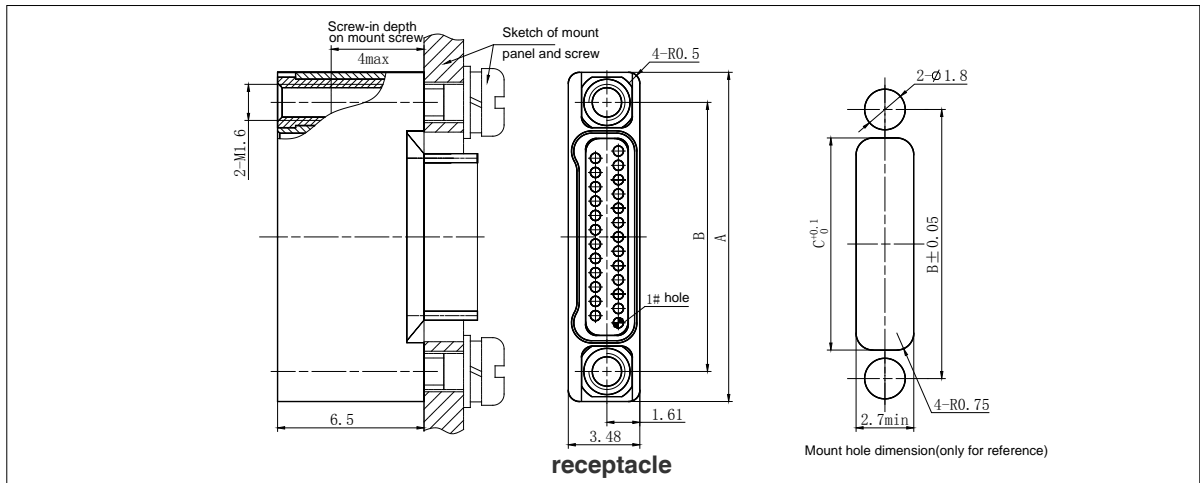
Pin count	Dimension			Pin count	Dimension			Pin count	Dimension		
	A	B	C		A	B	C		A	B	C
9pins	9.63	6.86	4.2	15pins	11.53	8.76	6.1	21pins	13.44	10.67	8
25pins	14.71	11.94	9.3	31pins	16.61	13.84	11.2	37pins	18.52	15.75	13.1
51pins	22.96	20.19	17.55	65pins	27.41	24.64	22	69pins	28.68	25.91	23.25

Remark: All dimensions are in mm



Vertical Mounted Crimp Series

Outline dimension




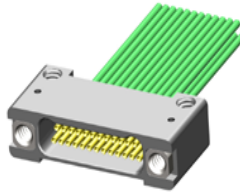
Pin count	Dimension			Pin count	Dimension			Pin count	Diension		
	A	B	C		A	B	C		A	B	C
9pins	9.63	6.86	4.2	15pins	11.53	8.76	6.1	21pins	13.44	10.67	8
25pins	14.71	11.94	9.3	31pins	16.61	13.84	11.2	37pins	18.52	15.75	13.1
51pins	22.96	20.19	17.55	65pins	27.41	24.64	22	69pins	28.68	25.91	23.25

Remark: All dimensions are in mm



Horizontal Mounted Crimp Series

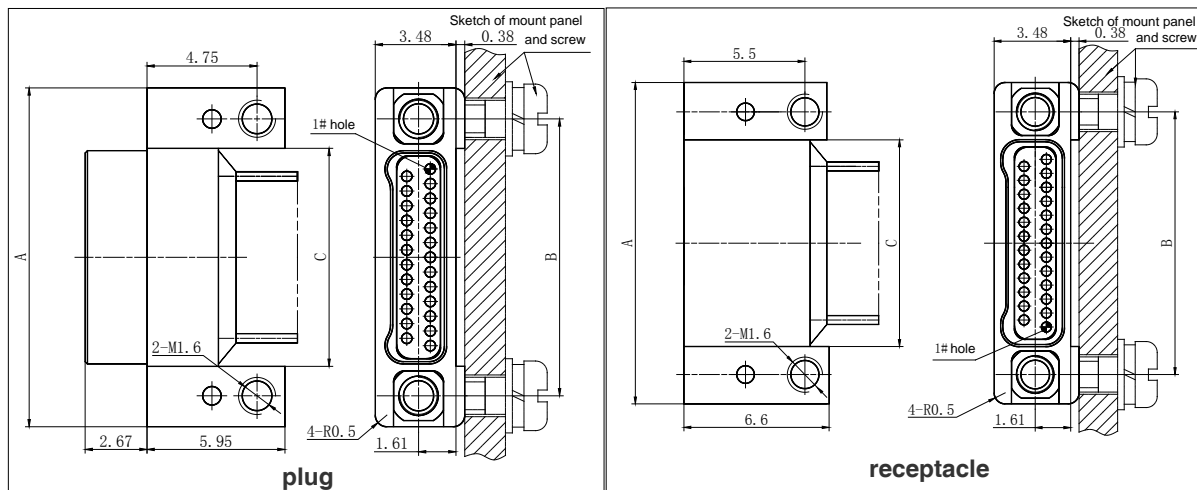
Order marks

Series	R06	-2	2	1	-C	3	-25	RH	0	-TH	 <p>plug</p>  <p>receptacle</p>
Contact row:	2 — tow rows										
Shell plating:	2 — nickel plating										
Contact plating:	1 — gold plating										
Termination type :	C— crimp										
Mounting style:	3 — horizontal mounted										
Contact number:	9、15、21、25、31、37、51、65、69										
Contact type	PI — pin in plug RH— socket in receptacle										
Tail cover :	0— without tail cover										
Locking type:	TH— connect nut										

Remark

- Connector is horizontal mounted
- The connector with connect nut that usually mated with connector which have locking screw

Outline dimension



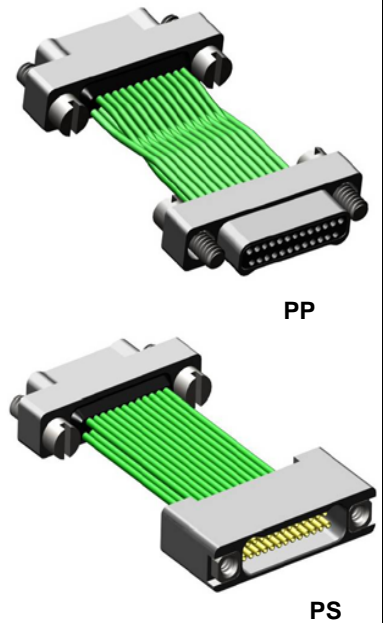
Pin count	Dimension			Pin count	Dimension			Pin count	Dimension		
	A	B	C		A	B	C		A	B	C
9pins	9.63	6.86	4.31	15pins	11.53	8.76	6.22	21pins	13.44	10.67	8.13
25pins	14.71	11.94	9.40	31pins	16.61	13.84	11.30	37pins	18.52	15.75	13.21
51pins	22.96	20.19	17.65	65pins	27.41	24.64	22.10	69pins	28.68	25.91	23.37

Remark: All dimensions are in mm

Crimp Siamese Connection Series

Order marks

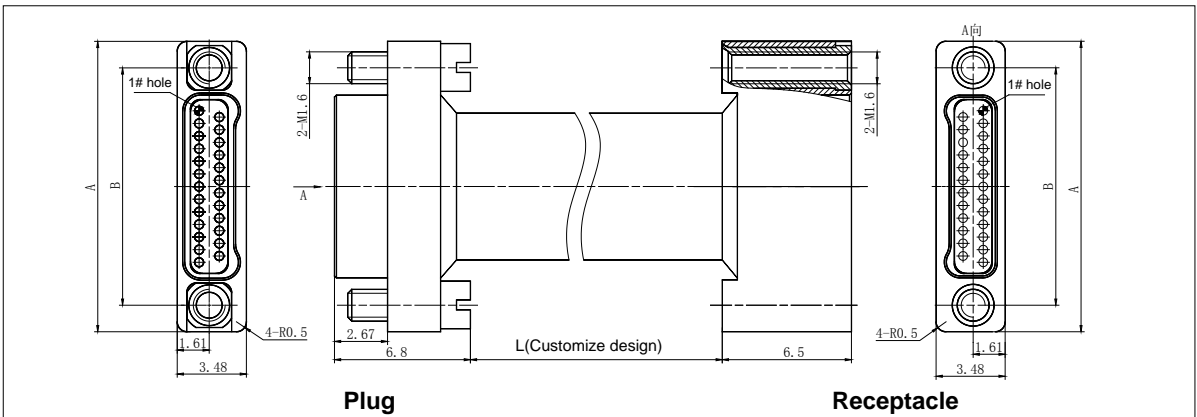
Series	R06	-2	2	1	-C	4	-25	PP
Contact row:	2 — tow rows							
Shell plating:	2 — nickel plating							
Contact plating:	1 — gold plating							
Termination type :	C— crimp							
Mounting style:	4 — crimp siamese							
Contact number:	9、15、21、25、31、37、51、65、69							
Contact type:	PP— plug interconnect plug PS— plug interconnect receptacle SS— receptacle interconnect receptacle							



Remark

- The matching locking component for this series is single form. (1) Plug with locking screw (2) Receptacle with locking nut

Outline dimension



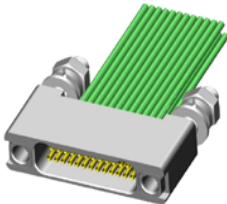
Pin count	Dimension		Pin count	Dimension		Pin count	Diension	
	A	B		A	B		A	B
9pins	9.63	6.86	15pins	11.53	8.76	21pins	13.44	10.67
25pins	14.71	11.94	31pins	16.61	13.84	37pins	18.52	15.75
51pins	22.96	20.19	65pins	27.41	24.64	69pins	28.68	25.91

Remark: All dimensions are in mm



Nut Mounted Crimp Receptacle with Guid Hole Series

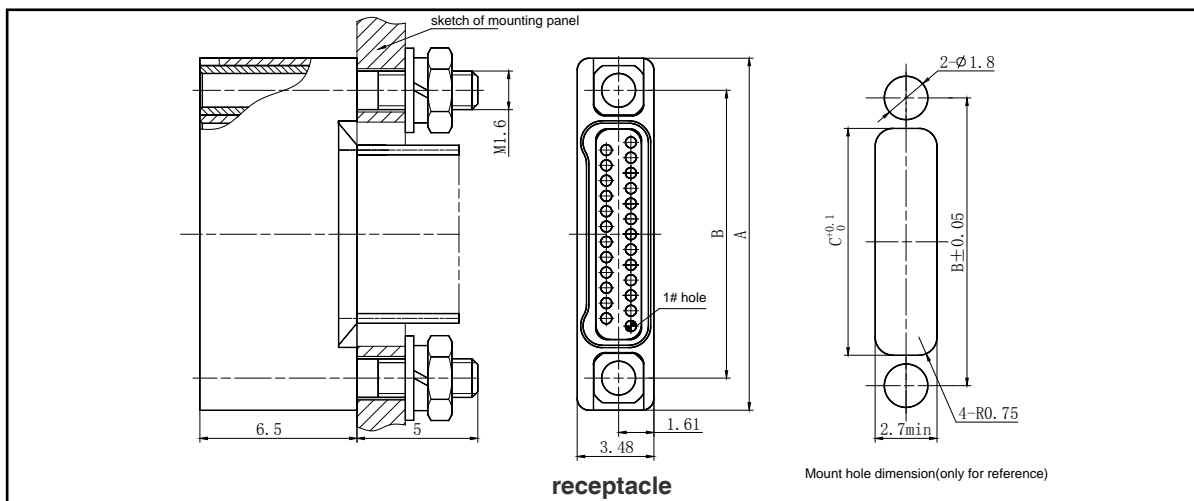
Order marks

Series	R06	-2	2	1	-C	5	-25	RH	0	-TH	 <p>RH</p>
Contact row:											
2 — tow rows											
Shell plating:											
2 — nickel plating											
Contact plating:											
1 — gold plating											
Termination type :											
C— crimp											
Mounting style:											
5 — nut mounted											
Contact number:											
9、15、21、25、31、37、51、65、69											
Contact type:											
RH— socket in receptacle											
Tail cover :											
0— without tail cover											
Locking type:											
NH— guide hole with nut mounted											

Remark

- Connector with guide hole, usually mated with plug which have guid pin

Outline dimension

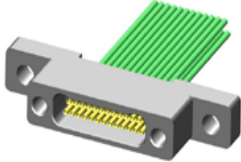


Pin count	Dimension			Pin count	Dimension			Pin count	Dimension		
	A	B	C		A	B	C		A	B	C
9pins	9.63	6.86	4.2	15pins	11.53	8.76	6.1	21pins	13.44	10.67	8
25pins	14.71	11.94	9.3	31pins	16.61	13.84	11.2	37pins	18.52	15.75	13.1
51pins	22.96	20.19	17.55	65pins	27.41	24.64	22	69pins	28.68	25.91	23.25

Remark: All dimensions are in mm

Flange Mounted Crimp Receptacle with Guid Hole Series

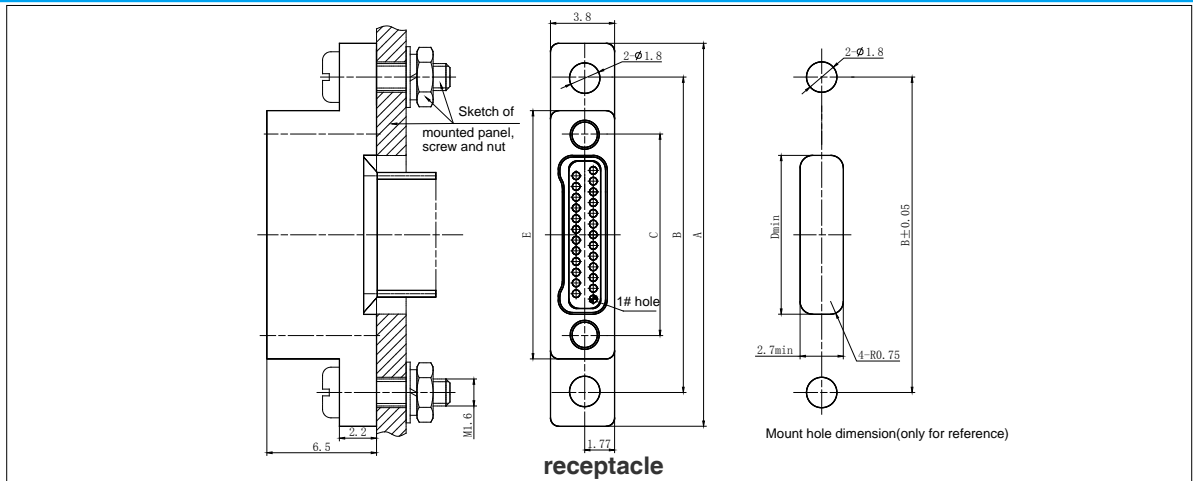
Order marks

Series	R06	-2	2	1	-C	6	-25	RH	0	-00	 <p>RH</p>
Contact row:											
2 — tow rows											
Shell plating:											
2 — nickel plating											
Contact plating:											
1 — gold plating											
Termination type :											
C— crimp											
Mounting style:											
6 — flanget mounted											
Contact number:											
9、15、21、25、31、37、51、65、69											
Contact type:											
RH— socket in receptacle											
Tail cover :											
0— without tail cover											
Locking type:											
00 — without locking component											

Remark

- Connector with guid hole, usually mated with plug which have guid pin

Outline dimension

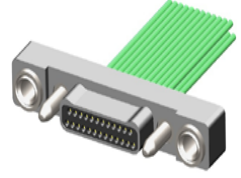


Pin count	Dimension					Pin count	Dimension				
	A	B	C	D	E		A	B	C	D	E
9pins	17.6	13.6	6.86	4.2	9.63	15pins	19.5	15.5	8.76	6.1	11.53
21pins	21.4	17.4	10.67	8	13.44	25pins	22.7	18.7	11.94	9.3	14.71
31pins	24.6	20.6	13.84	11.2	16.61	37pins	26.5	22.5	15.75	13.1	18.52
51pins	30.9	26.9	20.19	17.6	22.96	65pins	35.4	31.4	24.64	22	27.41
69pins	36.7	32.7	25.91	23.3	28.68						

Remark: All dimensions are in mm

Floating Mounted Crimp Plug Series

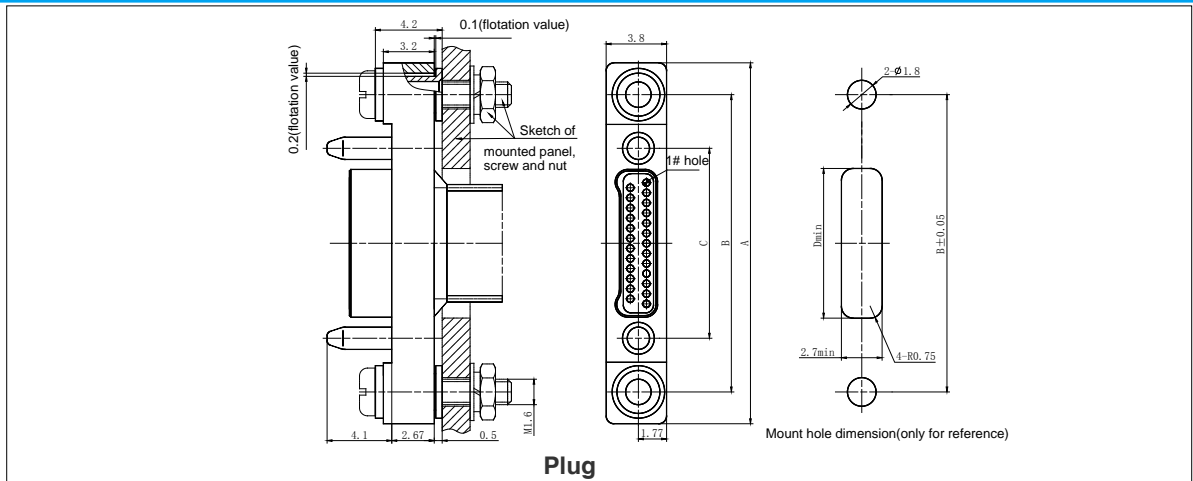
Order marks

Series	R06	-2	2	1	-C	7	-25	PI	0	-00	 <p>PI</p>
Contact row:	2 — tow rows										
Shell plating:	2 — nickel plating										
Contact plating:	1 — gold plating										
Termination type :	C — crimp										
Mounting style:	7 — floating mounted										
Contact number:	9、15、21、25、31、37、51、65、69										
Contact type:	RH — socket in receptacle										
Tail cover :	0 — without tail cover										
Locking type:	00 — without locking component										

Remark

- Connector with guid pin and floating tube,application on blind-mated connector
- Connector usually mated with receptacle which have guid hole

Outline dimension



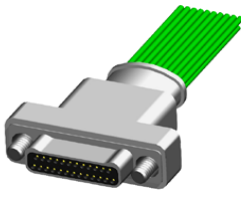

Pin count	Dimension				Pin count	Dimension			
	A	B	C	D		A	B	C	D
9pins	17.6	13.6	6.86	4.2	15pins	19.5	15.5	8.76	6.1
21pins	21.4	17.4	10.67	8	25pins	22.7	18.7	11.94	9.3
31pins	24.6	20.6	13.84	11.2	37pins	26.5	22.5	15.75	13.1
51pins	30.9	26.9	20.19	17.6	65pins	35.4	31.4	24.64	22
69pins	36.7	32.7	25.91	23.3					

Remark: All dimensions are in mm



Free Mounted Crimp Connector with Tail Cover Series

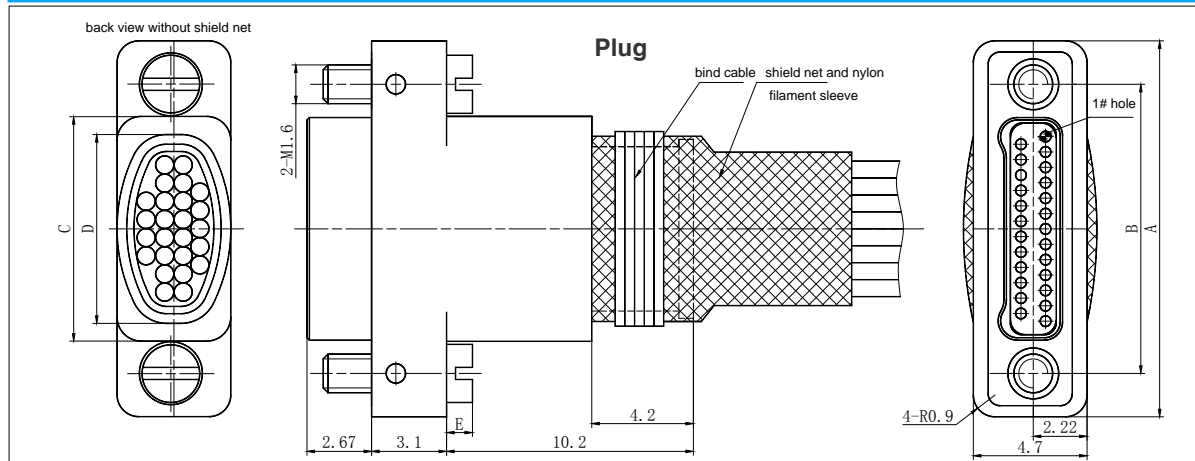
Order marks

Series	R06	-2	2	1	-C	1	-25	PI	1	-JC	 <p>PI</p>  <p>RH</p>
Contact row:	2 — tow rows										
Shell plating:	2 — nickel plating										
Contact plating:	1 — gold plating										
Termination type :	C — crimp										
Mounting style:	1 — free mounted										
Contact number:	9、15、21、25、31、37、51、65、69										
Contact type	PI — pin in plug					RH — socket in receptacle					
Tail cover :	1 — with tail cover										
Locking type:	JC — locking screw(straight slot, E dimension=1mm) JC1 — locking screw(hex, not recommend , E dimension=1.6mm)										

Remark

- Connector with integrated tail cover,bind shielding net on tail cover,shield whole connector,tail cover non-removable
- Connector is free mounted,not fixed,usually mated with connector which have nut
- Recommended JC(straight slot screw) types of screws,tight by miniature straight screwdriver
- When choose JC1(hex) type of screws,tight by 1.27mm subtense hex screwdriver.

Outline dimension

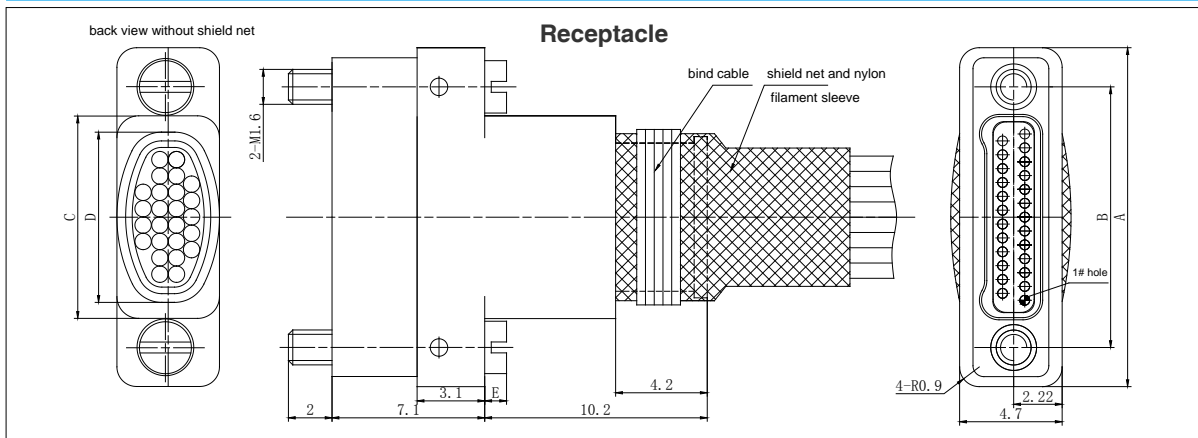


Pin count	Dimension				Pin count	Dimension			
	A	B	C	D		A	B	C	D
9pins	10.5	6.86	4.2	3.7	15pins	12.4	8.76	6.1	5
21pins	14.3	10.67	8	6.6	25pins	15.6	11.94	9.3	7.8
31pins	17.5	13.84	11.2	9.4	37pins	19.4	15.75	13.1	11.2
51pins	23.8	20.19	17.55	15.7	65pins	28.3	24.64	22	20.1
69pins	29.5	25.91	23.25	21.4					

Remark: All dimensions are in mm



Outline dimension





Pin count	Dimension				Pin count	Dimension			
	A	B	C	D		A	B	C	D
9pins	10.5	6.86	4.2	3.7	15pins	12.4	8.76	6.1	5
21pins	14.3	10.67	8	6.6	25pins	15.6	11.94	9.3	7.8
31pins	17.5	13.84	11.2	9.4	37pins	19.4	15.75	13.1	11.2
51pins	23.8	20.19	17.55	15.7	65pins	28.3	24.64	22	20.1
69pins	29.5	25.91	23.25	21.4					

Remark: All dimensions are in mm

Vertical Mounted Crimp Connector with Tail Cover Series

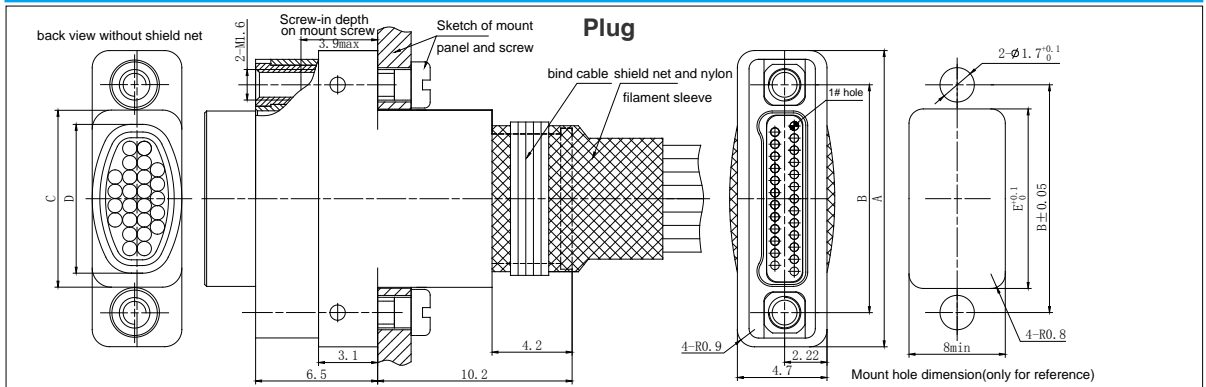
Order marks

Series	R06	-2	2	1	-C	2	-25	RH	1	-TH	 <p>PI</p>  <p>RH</p>
Contact row:											
2 — tow rows											
Shell plating:											
2 — nickel plating											
Contact plating:											
1 — gold plating											
Termination type :											
C — crimp											
Mounting style:											
2 — vertical mounted											
Contact number:											
9、15、21、25、31、37、51、65、69											
Contact type											
PI — pin in plug RH — socket in receptacle											
Tail cover :											
1 — with tail cover											
Locking type:											
TH — connect nut											

Remark

- Connector with integrated tail cover,bind shielding net on tail cover,shield whole connector,tail cover non-removable
- Connector usually mated with connector which have screw
- As these series connector limited by dimension,it can't use standard M1.6mm screw,so we provide special-made M1.6*6 mounted screw.

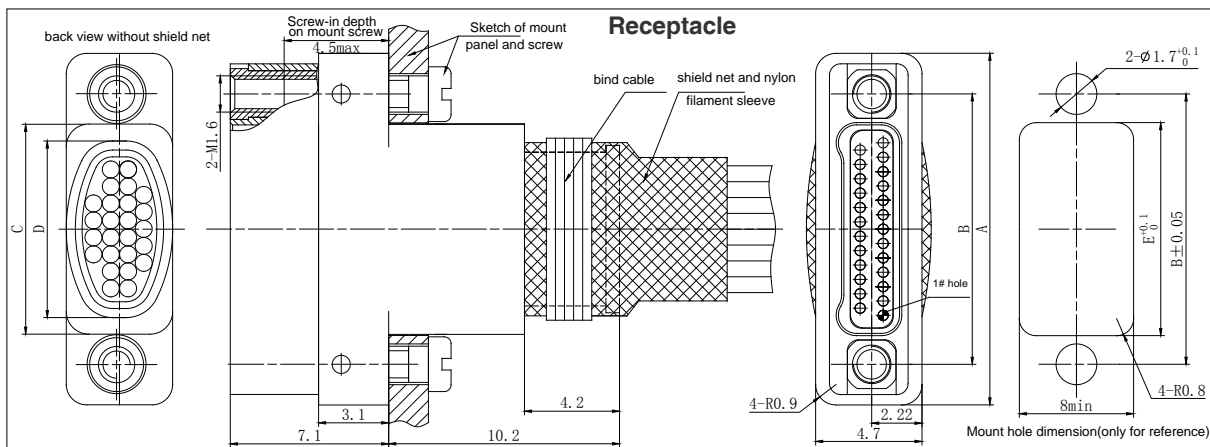
Outline dimension



Pin count	Dimension					Pin count	Dimension				
	A	B	C	D	E		A	B	C	D	E
9pins	10.5	6.86	4.2	3.7	4.3	15pins	12.4	8.76	6.1	5	6.2
21pins	14.3	10.67	8	6.6	8.1	25pins	15.6	11.94	9.3	7.8	9.4
31pins	17.5	13.84	11.2	9.4	11.3	37pins	19.4	15.75	13.1	11.2	13.2
51pins	23.8	20.19	17.55	15.7	17.65	65pins	28.3	24.64	22	20.1	22.1
69pins	29.5	25.91	23.25	21.4	23.35						

Remark: All dimensions are in mm

Outline dimension




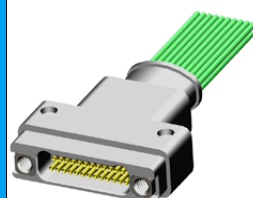
Pin count	Dimension					Pin count	Dimension				
	A	B	C	D	E		A	B	C	D	E
9pins	10.5	6.86	4.2	3.7	4.3	15pins	12.4	8.76	6.1	5	6.2
21pins	14.3	10.67	8	6.6	8.1	25pins	15.6	11.94	9.3	7.8	9.4
31pins	17.5	13.84	11.2	9.4	11.3	37pins	19.4	15.75	13.1	11.2	13.2
51pins	23.8	20.19	17.55	15.7	17.65	65pins	28.3	24.64	22	20.1	22.1
69pins	29.5	25.91	23.25	21.4	23.35						

Remark: All dimensions are in mm



Horizontal Mounted Crimp Connector with Tail Cover Series

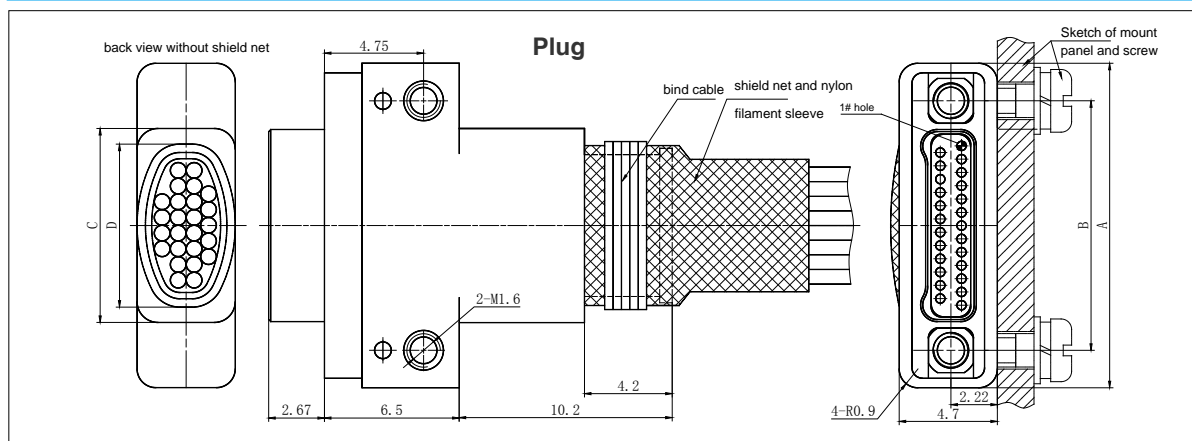
Order marks

Series	R06	-2	2	1	-C	3	-25	RH	1	-TH	 <p>PI</p>  <p>RH</p>
Contact row:											
2 — tow rows											
Shell plating:											
2 — nickel plating											
Contact plating:											
1 — gold plating											
Termination type :											
C — crimp											
Mounting style:											
3 — horizontal mounted											
Contact number:											
9、15、21、25、31、37、51、65、69											
Contact type											
PI — pin in plug RH — socket in receptacle											
Tail cover :											
1 — with tail cover											
Locking type:											
TH — connect nut											

Remark

- Connector with integrated tail cover,bind shielding net on tail cover,shield whole connector,tail cover non-removable
- Connector usually mated with connector which have screw

Outline dimension

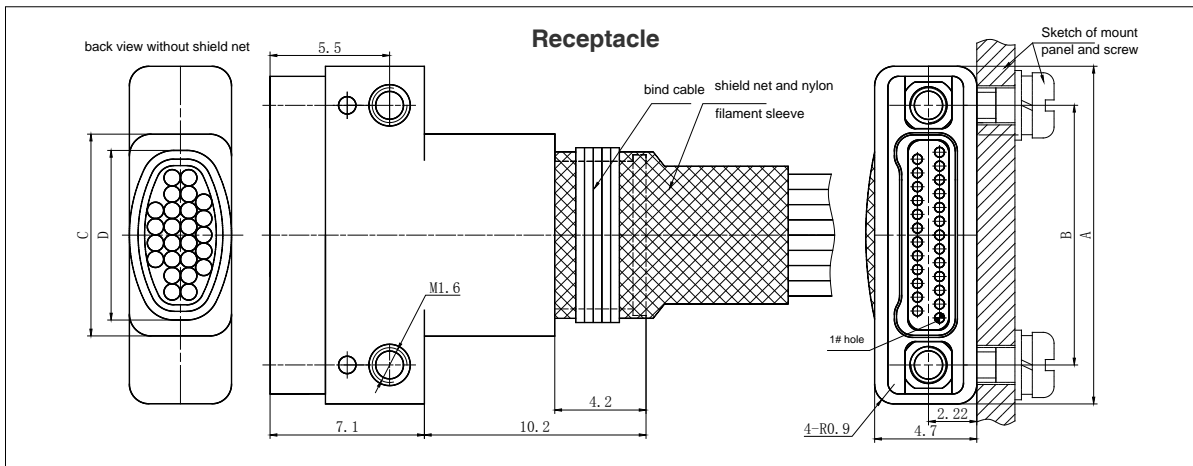


Pin count	Dimension				Pin count	Dimension			
	A	B	C	D		A	B	C	D
9pins	10.5	6.86	4.2	3.7	15pins	12.4	8.76	6.1	5
21pins	14.3	10.67	8	6.6	25pins	15.6	11.94	9.3	7.8
31pins	17.5	13.84	11.2	9.4	37pins	19.4	15.75	13.1	11.2
51pins	23.8	20.19	17.55	15.7	65pins	28.3	24.64	22	20.1
69pins	29.5	25.91	23.25	21.4					

Remark: All dimensions are in mm



Outline dimension



Pin count	Dimension				Pin count	Dimension			
	A	B	C	D		A	B	C	D
9pins	10.5	6.86	4.2	3.7	15pins	12.4	8.76	6.1	5
21pins	14.3	10.67	8	6.6	25pins	15.6	11.94	9.3	7.8
31pins	17.5	13.84	11.2	9.4	37pins	19.4	15.75	13.1	11.2
51pins	23.8	20.19	17.55	15.7	65pins	28.3	24.64	22	20.1
69pins	29.5	25.91	23.25	21.4					

Remark: All dimensions are in mm



MIL-DTL-32139 Nano D-sub Connectors

R06 Straight to PCB Series

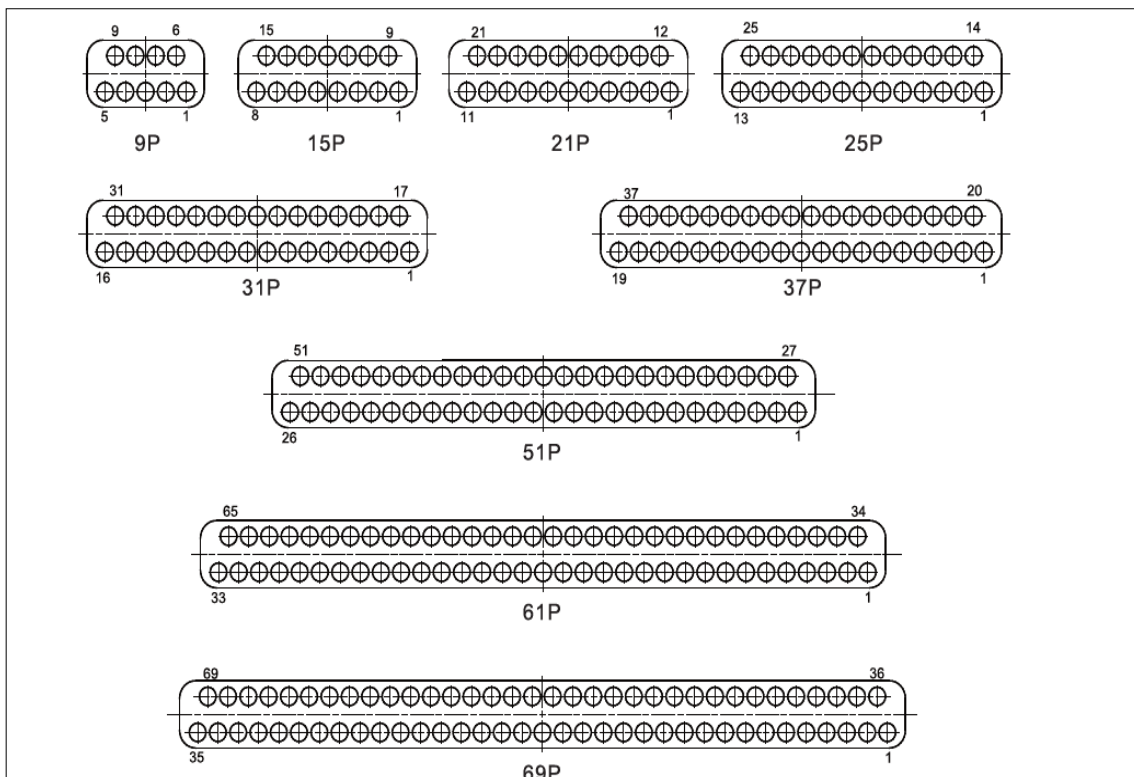
Brief introduction

- Contacts:9,15,21,25,31,37,51,65,69
- Twist flexible micro pin (twist pin), 0.635mm pitch, micro miniature outline dimension
- Screw nut locking, it is gently when insert and extract, stably locked
- It is used for all kinds for electric circuit system interconnection which have high density, micro, light, highly reliable requirement, it can meet light and miniaturize demand
- Plug with twist pin, receptacle with socket, free terminal with locking screw, fixed terminal with nut, standard mated connector locked by screw and nut
- Standard: MIL-DTL-32139
- Undefined tolerance is ± 0.13

Specification

- | | | | |
|---------------------|---|--------------------------|----------------------------------|
| ■ Environment: | -55°C~+125°C | ■ Contact resistance: | $\leq 21\text{m}\Omega$ |
| ■ Vibration: | 10Hz~2000Hz 196m/s ² | ■ Insulation resistance: | $\geq 5000\text{M}\Omega$ 100VDC |
| ■ Shock: | 980m/s ² 6ms | ■ Dielectric strength: | 250V |
| ■ Rated current: | 1A | ■ Machine life: | 200 times |
| ■ Random vibration: | power spectrum density 0.4G ² /Hz, r.m.s value of total acceleration 23.1G | | |

Contact layout

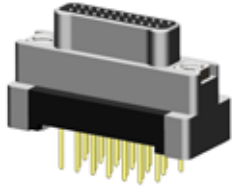
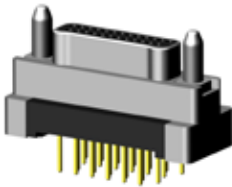


Remark: The above layout is view from plug mate side end face



R06 Straight to PCB Plug Series

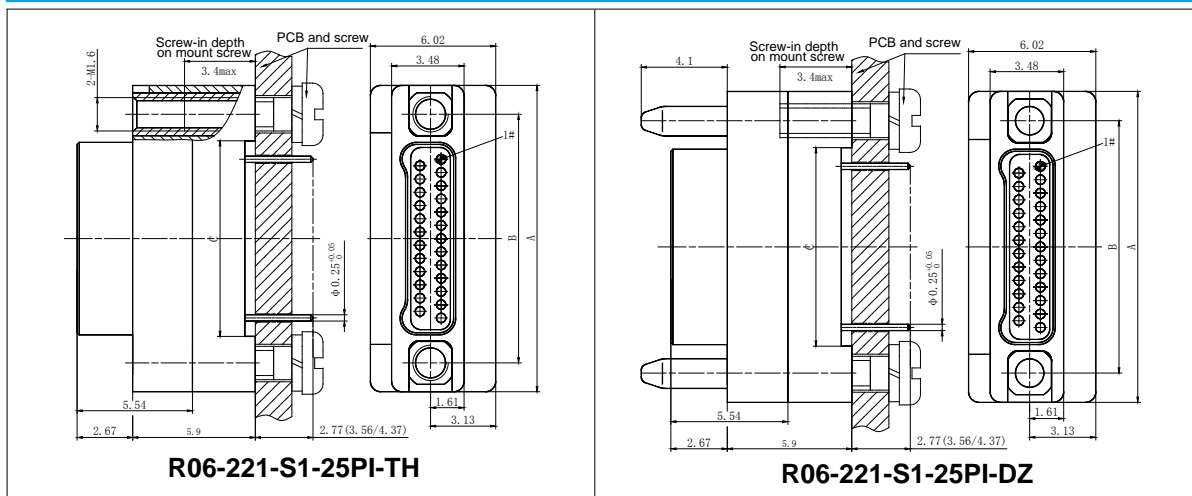
Order marks

Series	R06	-2	2	1	-S	1	-25	PI	-TH	 <p>R06-221-S1-25PI-TH</p>  <p>R06-221-S1-25PI-DZ</p>
Contact row:	2 — tow rows									
Shell plating:	2 — nickel plating									
Contact plating:	1 — gold plating									
Tail termination type :	S — straight to pcb									
Tail length:	1 — 2.77mm 2 — 3.56mm 3 — 4.37mm									
Contact number:	9、15、21、25、31、37、51、65、69									
Contact type :	PI — pin in plug									
Locking type:	DZ — guide pin TH — connect nut									

Remark

- R06-221-S*-**PI-TH usually mated with receptacle which have locking screw, R06-221-S*-**PI-DZ usually mated with receptacle which have guide hole
- 3 kinds of tail length, customized produce for other length

Outline dimension

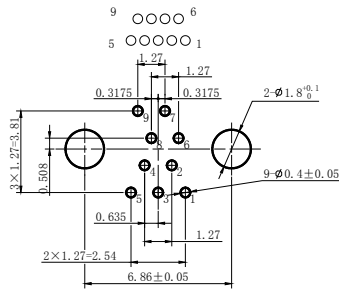
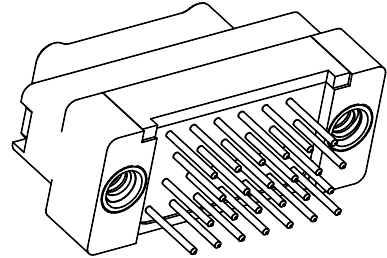
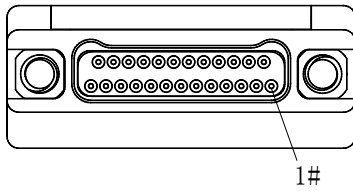


Pin count	Dimension			Pin count	Dimension			Pin count	Dimension		
	A	B	C		A	B	C		A	B	C
9pins	9.63	6.86	4.31	15pins	11.53	8.76	6.22	21pins	13.44	10.67	8.13
25pins	14.71	11.94	9.4	31pins	16.61	13.84	11.3	37pins	18.52	15.75	13.21
51pins	22.96	20.19	17.65	65pins	27.41	24.64	22.10	69pins	28.68	25.91	23.37

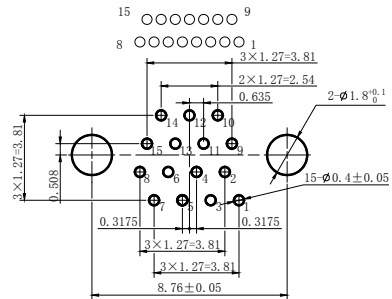
Remark: All dimensions are in mm



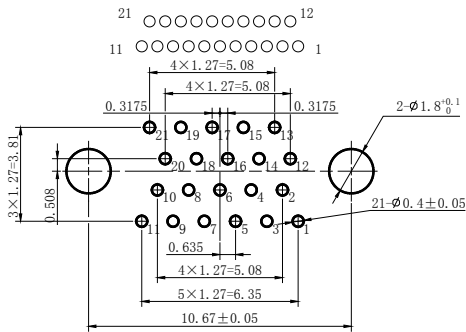
Suggested PCB Layout



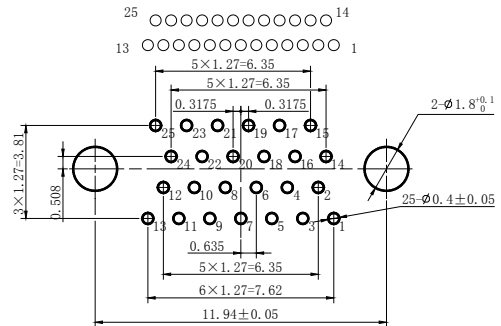
R06-221-S1/S2/S3-9PI-TH



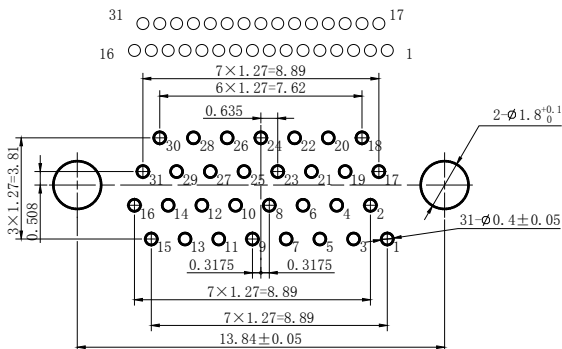
R06-221-S1/S2/S3-15PI-TH



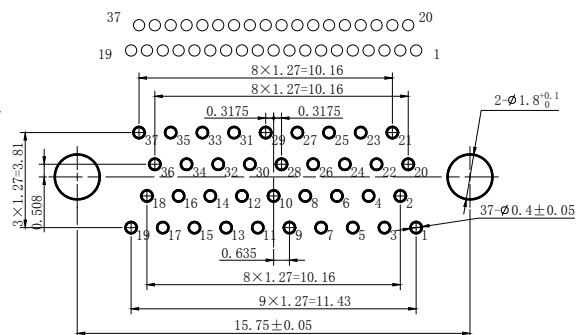
R06-221-S1/S2/S3-21PI-TH



R06-221-S1/S2/S3-25PI-TH



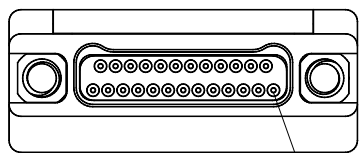
R06-221-S1/S2/S3-31PI-TH



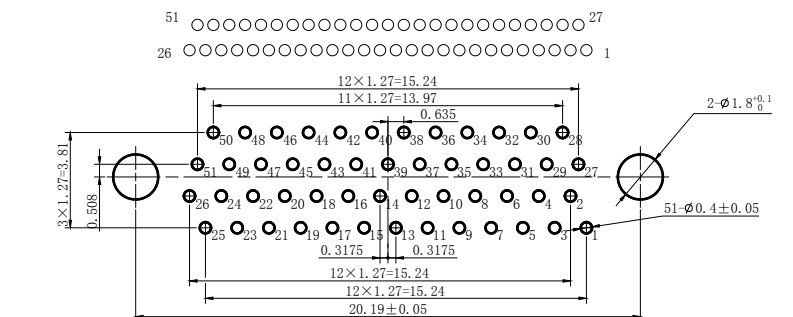
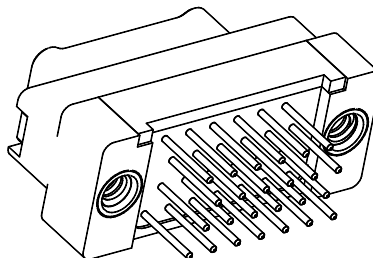
R06-221-S1/S2/S3-37PI-TH

Remark: All dimensions are in mm

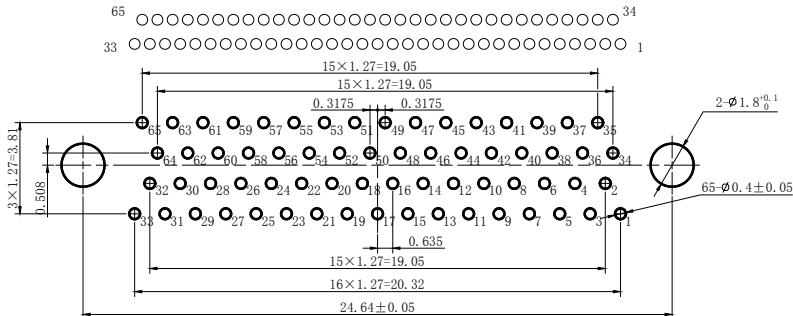
Suggested PCB Layout



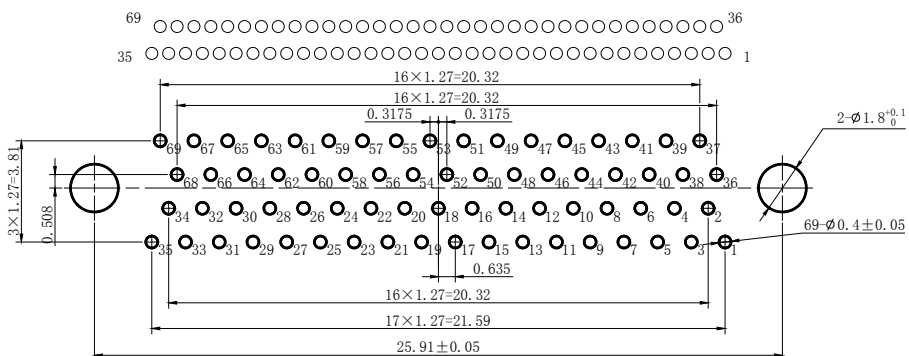
1#



R06-221-S1/S2/S3-51PI-TH



R06-221-S1/S2/S3-65PI-TH




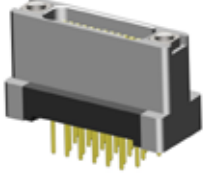
R06-221-S1/S2/S3-69PI-TH

Remark: All dimensions are in mm



R06 Straight to PCB Receptacle Series

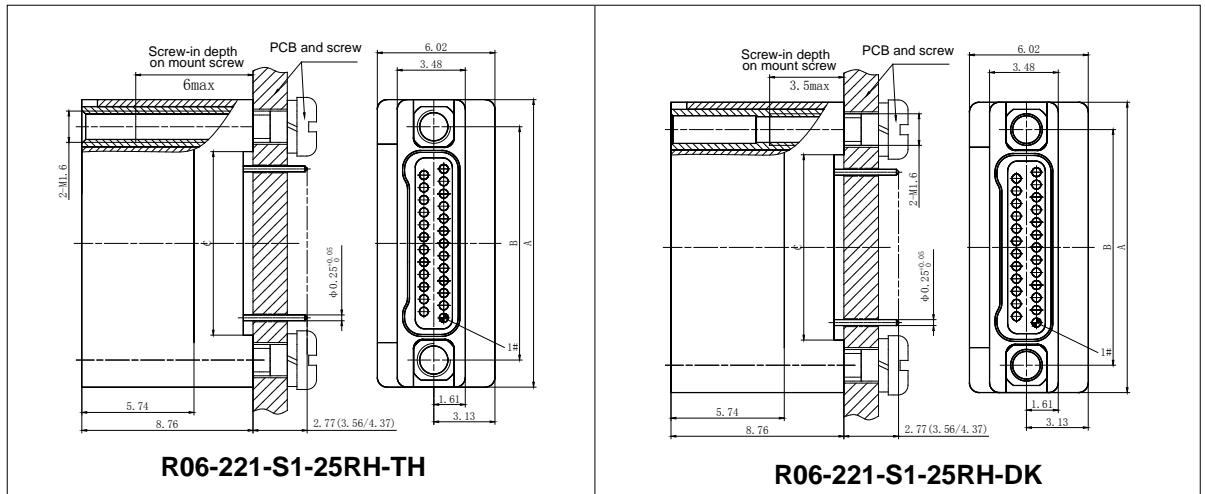
Order marks

Series	R06	-2	2	1	-S	1	-25	RH	-TH	 <p>R06-221-S1-25RH-TH</p>  <p>R06-221-S1-25RH-DK</p>
Contact row:										
2 — tow rows										
Shell plating:										
2 — nickel plating										
Contact plating:										
1 — gold plating										
Tail termination type :										
S — straight to pcb										
Tail length:										
1 — 2.77mm										
2 — 3.56mm										
3 — 4.37mm										
Contact number:										
9、15、21、25、31、37、51、65、69										
Contact type :										
RH — socket in receptacle										
Locking type:										
DK — guide hole TH — connect nut										

Remark

- R06-221-S*-**RH-TH usually mated with plug which have locking screw, R06-221-S*-**PI-DK usually mated with plug which have guide pin
- 3 kinds of tail length, customized produce for other length

Outline dimension

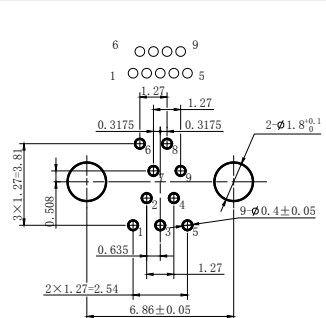
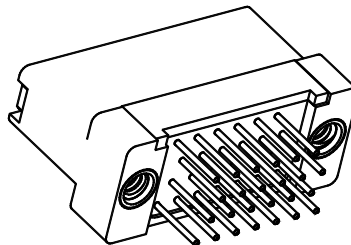
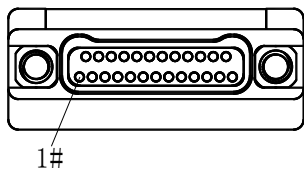


Pin count	Dimension			Pin count	Dimension			Pin count	Dimension		
	A	B	C		A	B	C		A	B	C
9pins	9.63	6.86	4.31	15pins	11.53	8.76	6.22	21pins	13.44	10.67	8.13
25pins	14.71	11.94	9.4	31pins	16.61	13.84	11.3	37pins	18.52	15.75	13.21
51pins	22.96	20.19	17.65	65pins	27.41	24.64	22.10	69pins	28.68	25.91	23.37

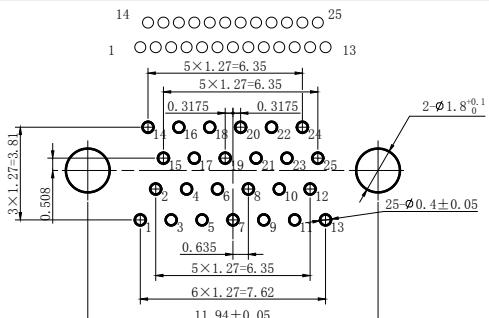
Remark: All dimensions are in mm



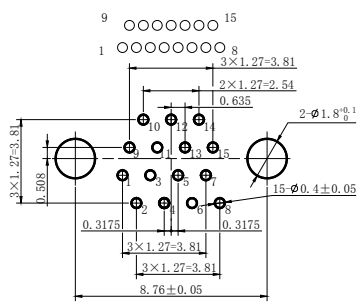
Suggested PCB Layout



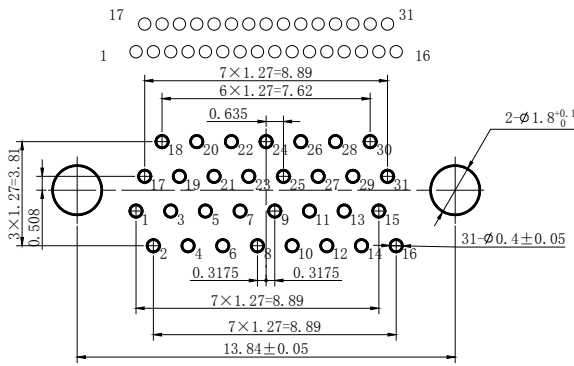
R06-221-S1/S2/S3-9RH-TH



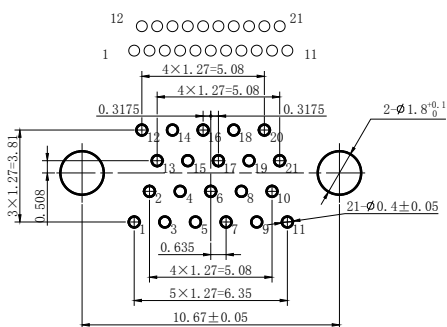
R06-221-S1/S2/S3-25RH-TH



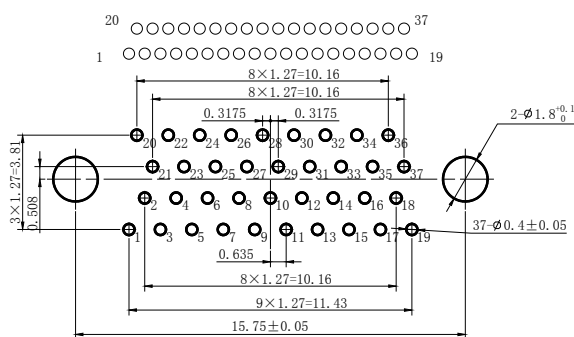
R06-221-S1/S2/S3-15RH-TH



R06-221-S1/S2/S3-31RH-TH



R06-221-S1/S2/S3-21RH-TH

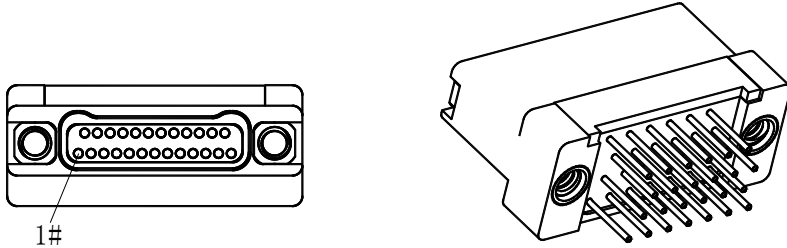


R06-221-S1/S2/S3-37RH-TH

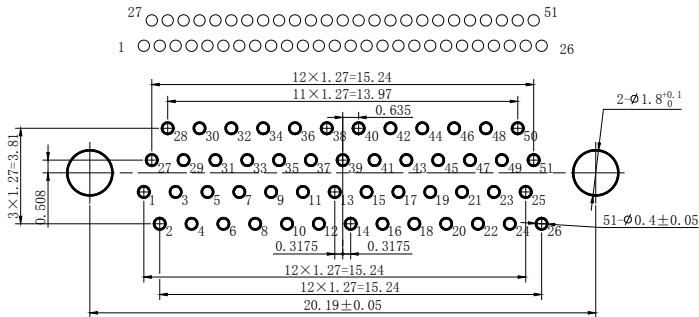
Remark: All dimensions are in mm



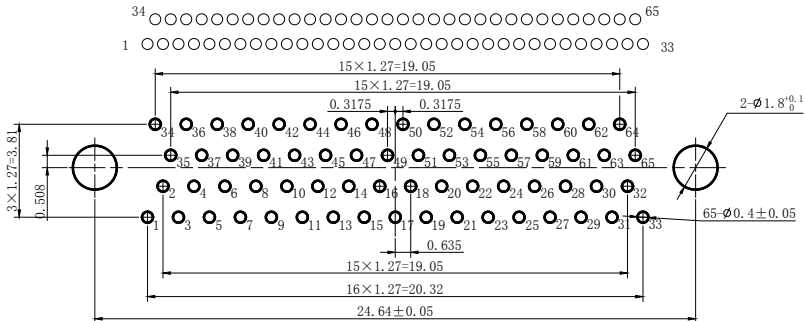
Suggested PCB Layout



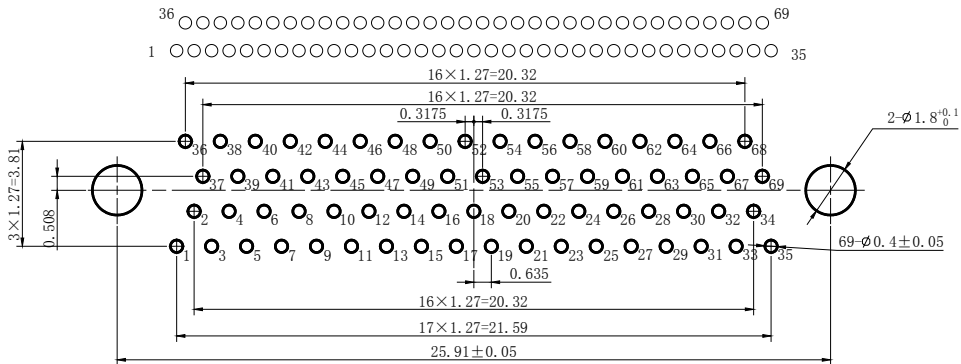
1#



R06-221-S1/S2/S3-51RH-TH



R06-221-S1/S2/S3-65RH-TH



R06-221-S1/S2/S3-69RH-TH

Remark: All dimensions are in mm

