

## R04S Series Connectors for Space Applications

### Space Grade Micro D Connector Crimp type



#### Brief Introduction

- Micro-D connectors for space applications
- Twist pin contacts, high density interconnection, 1.27mm contact spacing and 1.1mm spacing between rows.
- Contacts:9,15,21,31,37, A51,51,69,100pins
- Product feature:small and light, antivibration etc. high performance.
- Wire AWG:26AWG or 28 AWG
- Meet space applications.

#### Material and finish

Item	Material	Finish
shell	Aluminum alloy	Electroless nickel plating
insulator	20%GPPS	—
seal ring	Silicone rubber	—
contacts	copper alloy	gold plating
locking hardware	stainless steel	passivation
backshell	Aluminum alloy	Electroless nickel plating

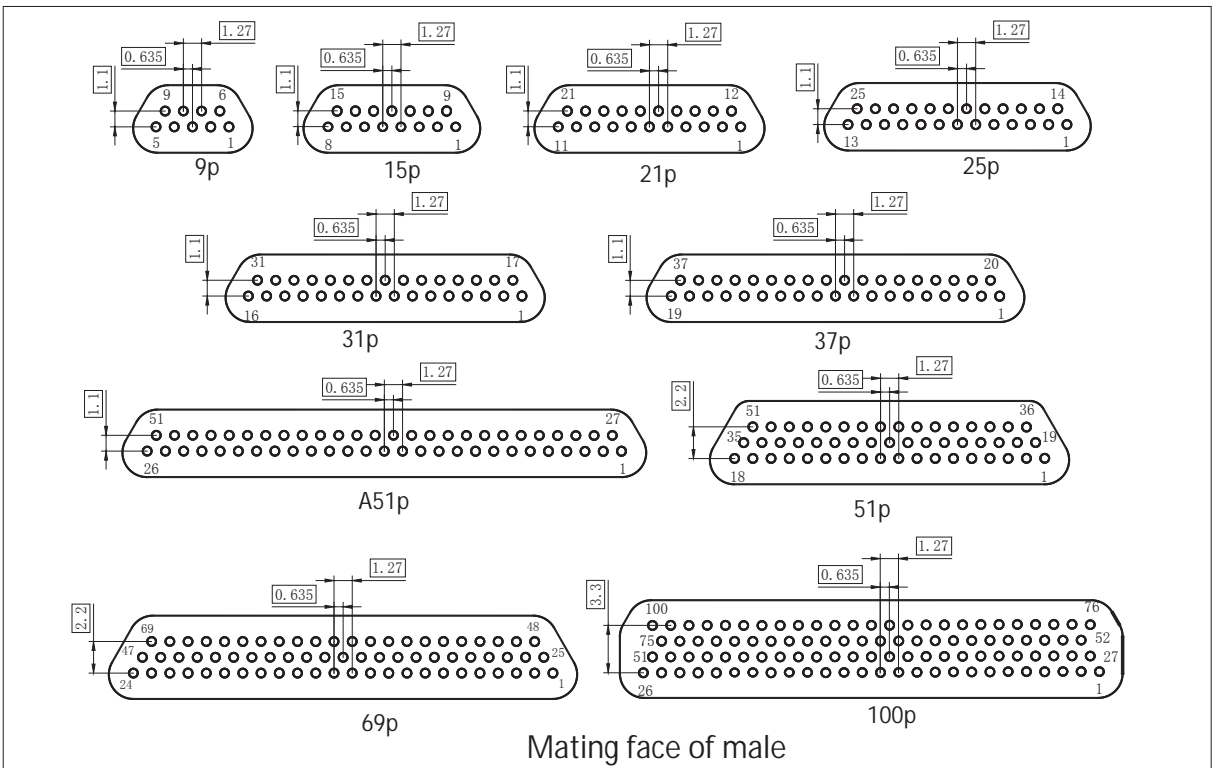
#### Electrical Performance

Performance	Marking	Rating value
Current rating(max)	I	3A (24#),13A (16#)
Dielectric withstanding voltage (sea level)	U	800 Vr.m.x(50Hz)
Contact resistance	R	$\leq 10m\Omega$ (24#), $\leq 5m\Omega$ (16#)
Insulation resistance(500VDS, sea level)	R	$\geq 5000M\Omega$

#### Environment performance

Performance	Rating value	Test method
Environment temperature range:	-55 ~ +125 °C	/
Durability	500 mating cycles	/
Vibration	10Hz ~ 2000Hz, 294m <sup>2</sup> /s	EIA-364-28, test condition IV
Random vibration	Power spectral density 0.6G <sup>2</sup> /Hz, root mean square value of total acceleration 28.4G	/
Shock	980m/s <sup>2</sup> , 6ms	EIA-364-27, test condition E
Salt spray	96h	EIA-364-26, test condition B
Humidity	240h	EIA-364-31, test condition IV
Thermal shock	-55 ~ +125°C	EIA-364-32, test condition IV
Contact engaging and separating force	0.3 ~ 1.5 N (24#) 0.56 ~ 8.35 N(16#)	/
Irradiation resistant	Total dose:1X10 <sup>5</sup> Gy	/
Thermal vacuum outgassing	TML $\leq 1\%$ , CVCM $\leq 0.1\%$	/
Magnetic permeability	200 gamma	/

## Contact arrangements

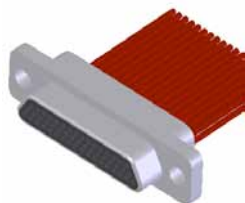


## How to order

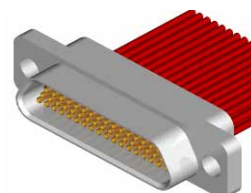
Sample part number:	R04S	-31	PI	B01	AA	(Remark)
Series:	R04S-Micro D connectors for space applications.					
Contact number:	9,15,21,25,31,37,A51,51,69,100pins					
Contact type:	PI-pin in plug      RH-socket in receptacle					
Locking hardware:	blank-without      B01-locking hardware, please see page4 to page8					
Backshell:	blank-without      AA-AA style backshell, please see page9 to page11.					
Cable detail:	Please fill the cale size including the length, AWG etc.					

## R04S series crimp type connectors

### Product stereogram

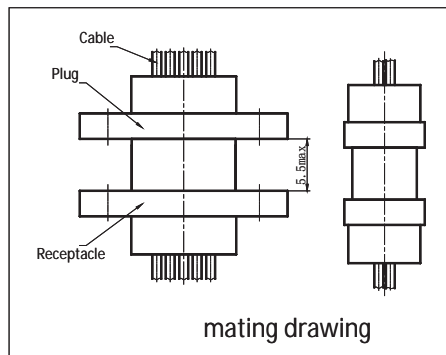
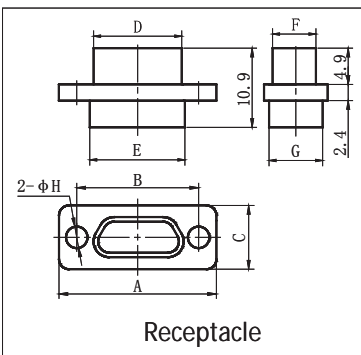
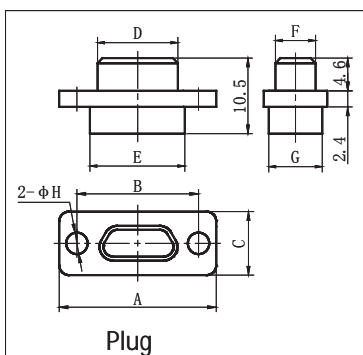


Plug



Receptacle

### Outline Dimension



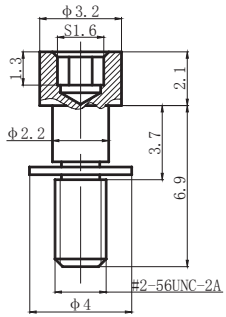
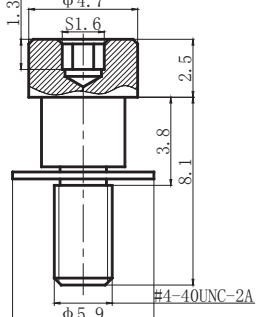
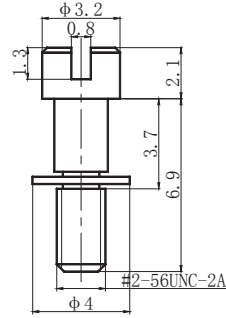
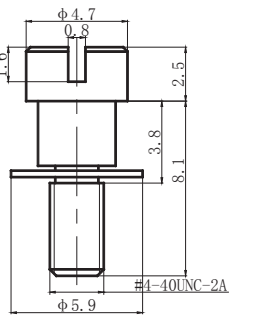
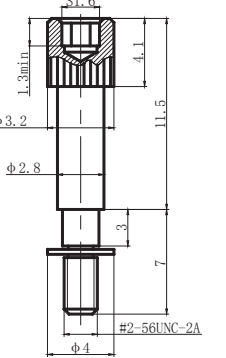
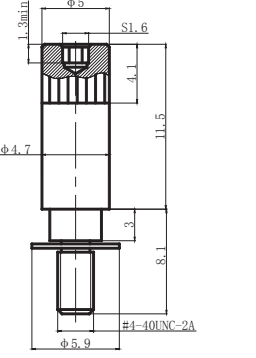
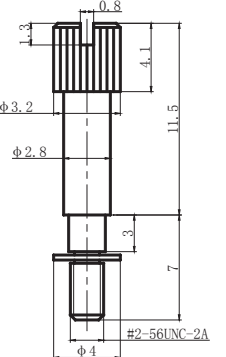
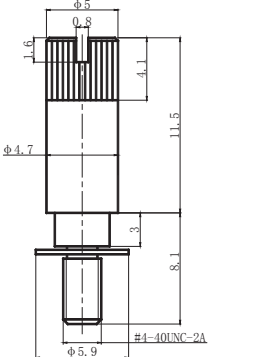
Contact Nos	Outline dimension(in mm)							
	A	B	C	D	E	F	G	H
9PI	19.6	14.3	7.6	8.4	9.9	4.7	6.8	2.31
15PI	23.5	18.2	7.6	12.3	13.8	4.7	6.8	2.31
21PI	27.3	22	7.6	16.1	17.6	4.7	6.8	2.31
25PI	29.8	24.5	7.6	18.6	20.2	4.7	6.8	2.31
31PI	33.6	28.3	7.6	22.4	24	4.7	6.8	2.31
37PI	37.4	32.1	7.6	26.2	27.8	4.7	6.8	2.31
A51PI	46.3	41	7.6	35	36.7	4.7	6.8	2.31
51PI	36.2	30.9	8.7	25	26.6	5.8	7.9	2.31
69PI	43.8	38.5	8.7	32.6	34.2	5.8	7.9	2.31
100PI	54.7	45.7	9.7	35.1	36.6	6.8	9.1	3.7
9RH	19.6	14.3	7.6	9.9	9.9	6.1	6.8	2.31
15RH	23.5	18.2	7.6	13.7	13.8	6.1	6.8	2.31
21RH	27.3	22	7.6	17.5	17.6	6.1	6.8	2.31
25RH	29.8	24.5	7.6	20.1	20.2	6.1	6.8	2.31
31RH	33.6	28.3	7.6	23.9	24	6.1	6.8	2.31
37RH	37.4	32.1	7.6	27.7	27.8	6.1	6.8	2.31
A51RH	46.3	41	7.6	36.5	36.7	6.1	6.8	2.31
51RH	36.2	30.9	8.7	26.5	26.6	7.2	7.9	2.31
69RH	43.8	38.5	8.7	34.1	34.2	7.2	7.9	2.31
100RH	54.7	45.7	9.7	36.6	36.6	8.3	9.1	3.7

### The mating locking hardware

Code	Feature	Outline dimension	
		for 9~69pins	for 100pins
B01	1. Removable hardware. 2. Short jackscrew with a retainer ring. 3. Hex socket head		
B02	1. Removable hardware. 2. Short jackscrew with a retainer ring. 3. Slot head		
B03	1. Removable hardware. 2. Long jackscrew with a retainer ring. 3. Hex socket head		
B04	1. Removable hardware. 2. Long jackscrew with a retainer ring. 3. Slot head		

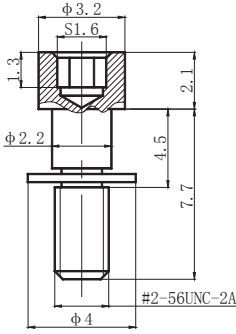
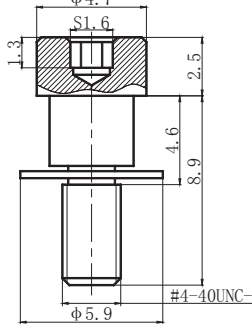
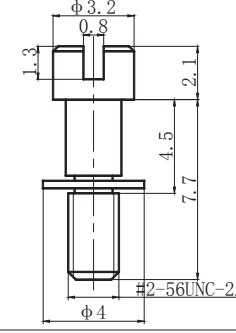
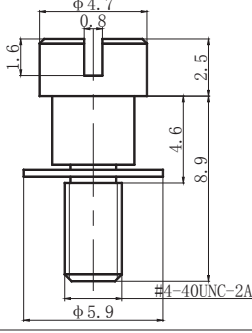
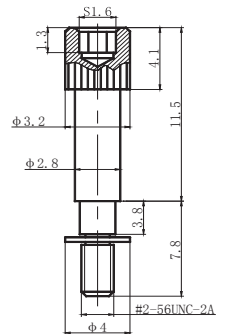
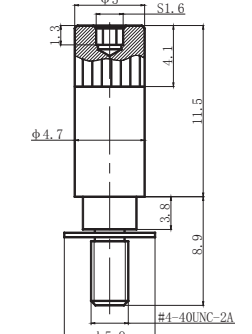
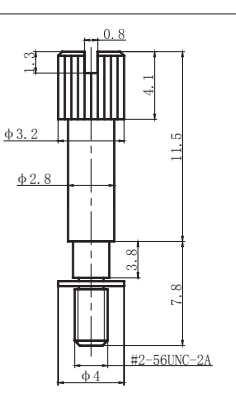
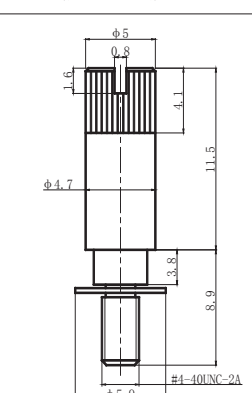
Note: all dimensions are in mm.

### The mating locking hardware

Code	Feature	Outline dimension	
		for 9~69pins	for 100pins
B05	<ol style="list-style-type: none"> <li>1. Removable hardware.</li> <li>2. Short jackscrew with a retainer ring.</li> <li>3. Hex socket head</li> <li>4. Used for connetors with AA, AB, AC, AD AG type backshell</li> </ol>		
B06	<ol style="list-style-type: none"> <li>1. Removable hardware.</li> <li>2. Short jackscrew with a retainer ring.</li> <li>3. Slot head</li> <li>4. Used for connetors with AA, AB, AC, AD AG type backshell</li> </ol>		
B07	<ol style="list-style-type: none"> <li>1. Removable hardware.</li> <li>2. Long jackscrew with a retainer ring.</li> <li>3. Hex socket head</li> <li>4. Used for connetors with AA, AB, AC, AD AG type backshell</li> </ol>		
B08	<ol style="list-style-type: none"> <li>1. Removable hardware.</li> <li>2. Long jackscrew with a retainer ring.</li> <li>3. Slot head</li> <li>4. Used for connetors with AA, AB, AC, AD AG type backshell</li> </ol>		

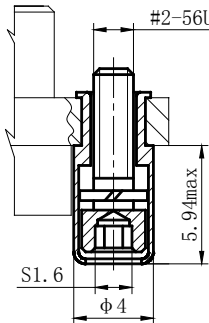
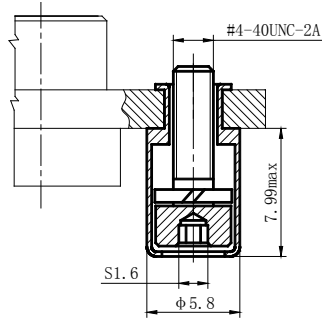
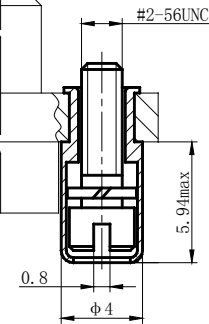
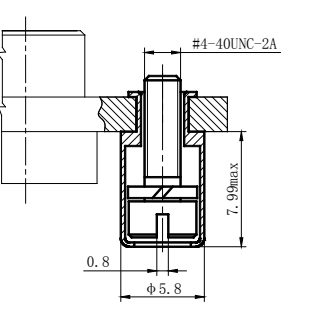
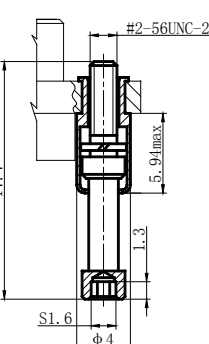
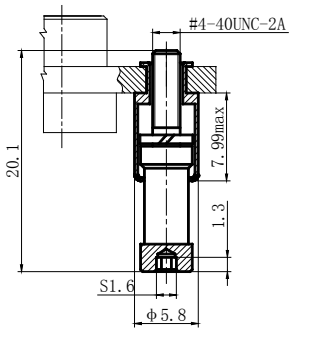
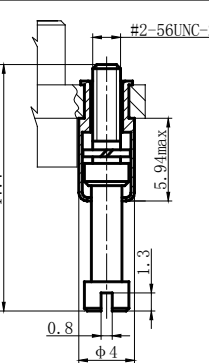
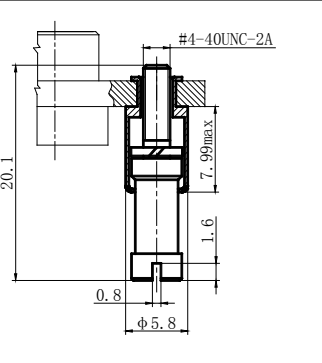
Note: all dimensions are in mm.

## The mating locking hardware

Code	Feature	Outline dimension	
		for 9~69pins	for 100pins
B10	<ol style="list-style-type: none"> <li>1. Removable hardware.</li> <li>2. Short jackscrew with a retainer ring.</li> <li>3. Hex socket head</li> <li>4. Used for connetors with AH, AJ type backshell.</li> </ol>		
B11	<ol style="list-style-type: none"> <li>1. Removable hardware.</li> <li>2. Short jackscrew with a retainer ring.</li> <li>3. Slot head</li> <li>4. Used for connetors with AH, AJ type backshell.</li> </ol>		
B12	<ol style="list-style-type: none"> <li>1. Removable hardware.</li> <li>2. Long jackscrew with a retainer ring.</li> <li>3. Hex socket head</li> <li>4. Used for connetors with AH, AJ type backshell.</li> </ol>		
B13	<ol style="list-style-type: none"> <li>1. Removable hardware.</li> <li>2. Long jackscrew with a retainer ring.</li> <li>3. Slot head</li> <li>4. Used for connetors with AH, AJ type backshell.</li> </ol>		

Note: all dimensions are in mm.

### The mating locking hardware

Code	Feature	Outline dimension	
		for 9~69pins	for 100pins
S01	<ol style="list-style-type: none"> <li>1. Non removable hardware.</li> <li>2. Short jackscrew with a retainer sleeve.</li> <li>3. Hex socket head</li> </ol>		
S02	<ol style="list-style-type: none"> <li>1. Non removable hardware.</li> <li>2. Short jackscrew with a retainer sleeve.</li> <li>3. Slot socket head</li> </ol>		
S03	<ol style="list-style-type: none"> <li>1. Non removable hardware.</li> <li>2. Long jackscrew with a retainer sleeve.</li> <li>3. Hex socket head</li> </ol>		
S04	<ol style="list-style-type: none"> <li>1. Non removable hardware.</li> <li>2. Long jackscrew with a retainer sleeve.</li> <li>3. Slot socket head</li> </ol>		

Note: all dimensions are in mm.

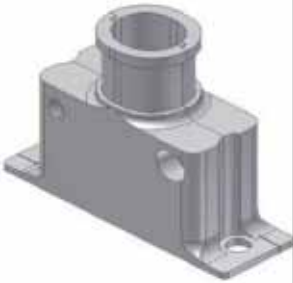
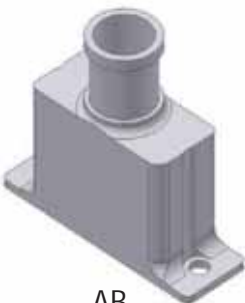

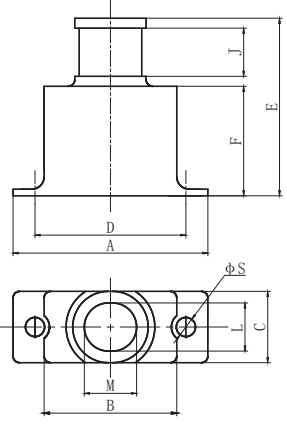
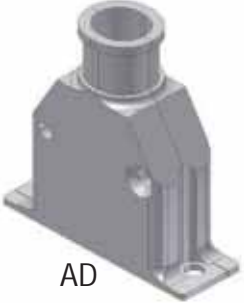
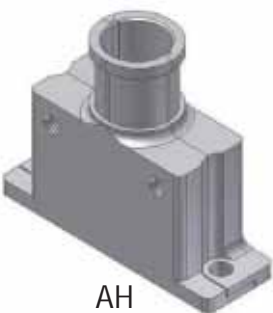
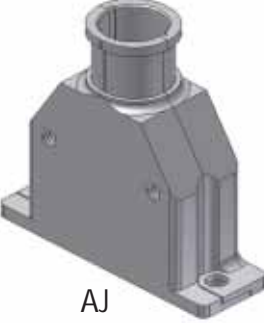

### The mating locking hardware

Code	Feature	Outline dimension	
		for 9~69pins	for 100pins
N01	<ol style="list-style-type: none"> <li>Hex head jackpost.</li> <li>Suitable for front panel mounting.</li> <li>The thickness of panel is not more than 2mm.</li> </ol>		
N06	<ol style="list-style-type: none"> <li>Hex head jackpost.</li> <li>Used for connectors with backshell.</li> </ol>		
N07	<ol style="list-style-type: none"> <li>Hex head jackpost.</li> <li>Used for front panel mounting.</li> <li>The thickness of panel is not more than 5mm.</li> </ol>		

Note: all dimensions are in mm.



**Backshell**

Stereogram & feature			Outline dimension
 <p><b>AA</b></p> <p>AA style: two-piece, standard type</p>	 <p><b>AB</b></p> <p>AB style: one-piece, standard type</p>	 <p><b>AC</b></p> <p>AC style: one-piece, wide entry.</p>	
 <p><b>AD</b></p> <p>AD style: two-piece, elongated type</p>	 <p><b>AH</b></p> <p>AH style: two-piece, non-skid type</p>	 <p><b>AJ</b></p> <p>AJ style: two-piece, non-skid and elongated type</p>	
 <p><b>AG</b></p> <p>AG style: one-piece, standard type with 90° entry.</p>			

Notes: all dimensions are in mm.

## Outline dimension of backshell

Part No.	Outline dimension( in mm)									
	A	B	C	D	E	F	J	φS	L	M
R04S-9-AA	19.6	12.1	8.7	14.3	21.4	13.2	5.8	2.31	-	4.7
R04S-15-AA	23.5	16	8.7	18.2	21.4	13.2	5.8	2.31	-	5.8
R04S-21-AA	27.3	19.8	8.7	22	21.4	13.2	5.8	2.31	-	6.5
R04S-25-AA	29.8	22.3	8.7	24.5	21.4	13.2	5.8	2.31	6.6	7.9
R04S-31-AA	33.6	26.1	8.7	28.3	21.4	13.2	5.8	2.31	6.6	8.4
R04S-37-AA	37.4	29.9	8.7	32.1	21.4	13.2	5.8	2.31	6.6	9.5
R04S-A51-AA	46.3	38.8	8.7	41	21.4	13.2	5.8	2.31	6.6	13.1
R04S-51-AA	36.2	28.7	9.7	30.9	23.7	15.5	5.8	2.31	7.5	11.9
R04S-69-AA	43.8	36.3	9.7	38.5	23.7	15.5	5.8	2.31	7.5	15.7
R04S-100-AA	54.7	38.8	11	45.7	24.2	16	5.8	3.7	8.7	17.5
R04S-9-AB	19.6	11.2	8.7	14.3	21.4	13.2	5.8	2.31	-	4.7
R04S-15-AB	23.5	15	8.7	18.2	21.4	13.2	5.8	2.31	-	5.8
R04S-21-AB	27.3	18.8	8.7	22	21.4	13.2	5.8	2.31	-	6.5
R04S-25-AB	29.8	21.4	8.7	24.5	21.4	13.2	5.8	2.31	6.7	7.8
R04S-31-AB	33.6	25.2	8.7	28.3	21.4	13.2	5.8	2.31	6.7	8.3
R04S-37-AB	37.4	29	8.7	32.1	21.4	13.2	5.8	2.31	6.7	9.5
R04S-A51-AB	46.3	37.9	8.7	41	21.4	13.2	5.8	2.31	6.7	13
R04S-51-AB	36.2	27.8	9.7	30.9	23.7	15.5	5.8	2.31	7.5	11.9
R04S-69-AB	43.8	35.4	9.7	38.5	23.7	15.5	5.8	2.31	7.5	15.7
R04S-100-AB	54.7	38.7	11	45.7	24.2	16	5.8	3.7	8.7	17.4
R04S-9-AC	19.6	11.2	8.7	14.3	21.4	13.2	5.8	2.31	6.7	7.9
R04S-15-AC	23.5	15	8.7	18.2	21.4	13.2	5.8	2.31	6.7	11.6
R04S-21-AC	27.3	18.8	8.7	22	21.4	13.2	5.8	2.31	6.7	15.4
R04S-25-AC	29.8	21.4	8.7	24.5	21.4	13.2	5.8	2.31	6.7	18
R04S-31-AC	33.6	25.2	8.7	28.3	21.4	13.2	5.8	2.31	6.7	21.8
R04S-37-AC	37.4	29	8.7	32.1	21.4	13.2	5.8	2.31	6.7	25.6
R04S-A51-AC	46.3	37.9	8.7	41	21.4	13.2	5.8	2.31	6.7	26.2
R04S-51-AC	36.2	27.8	9.7	30.9	23.7	15.5	5.8	2.31	7.5	23.4
R04S-69-AC	43.8	35.4	9.7	38.5	23.7	15.5	5.8	2.31	7.5	29.4
R04S-100-AC	54.7	38.7	11	45.7	24.2	16	5.8	3.7	8.7	34.1
R04S-9-AD	19.6	12.1	8.7	14.3	29.4	21.2	5.8	2.31	-	4.7
R04S-15-AD	23.5	16	8.7	18.2	29.4	21.2	5.8	2.31	-	5.8
R04S-21-AD	27.3	19.8	8.7	22	29.4	21.2	5.8	2.31	-	6.5
R04S-25-AD	29.8	22.3	8.7	24.5	29.4	21.2	5.8	2.31	6.6	7.9
R04S-31-AD	33.6	26.1	8.7	28.3	29.4	21.2	5.8	2.31	6.6	8.4
R04S-37-AD	37.4	29.9	8.7	32.1	29.4	21.2	5.8	2.31	6.6	9.5
R04S-A51-AD	46.3	38.8	8.7	41	29.4	21.2	5.8	2.31	6.6	13.1
R04S-51-AD	36.2	28.7	9.7	30.9	31.7	23.5	5.8	2.31	7.5	11.9
R04S-69-AD	43.8	36.3	9.7	38.5	31.7	23.5	5.8	2.31	7.5	15.7
R04S-100-AD	54.7	38.8	11	45.7	32.2	24	5.8	3.7	8.7	17.5
R04S-9-AH	19.6	11.2	8.7	14.3	21.4	13.2	5.8	2.31	-	4.7
R04S-15-AH	23.5	15	8.7	18.2	21.4	13.2	5.8	2.31	-	5.8
R04S-21-AH	27.3	18.8	8.7	22	21.4	13.2	5.8	2.31	-	6.5
R04S-25-AH	29.8	21.4	8.7	24.5	21.4	13.2	5.8	2.31	6.7	7.8

### Outline dimension of backshell

Part No.	Outline dimension( in mm)									
	A	B	C	D	E	F	J	φS	L	M
R04S-31-AH	33.6	25.2	8.7	28.3	21.4	13.2	5.8	2.31	6.7	8.3
R04S-37-AH	37.4	29	8.7	32.1	21.4	13.2	5.8	2.31	6.7	9.5
R04S-A51-AH	46.3	37.9	8.7	41	21.4	13.2	5.8	2.31	6.7	13
R04S-51-AH	36.2	27.8	9.7	30.9	23.7	15.5	5.8	2.31	7.5	11.9
R04S-69-AH	43.8	35.4	9.7	38.5	23.7	15.5	5.8	2.31	7.5	15.7
R04S-100-AH	54.7	38.7	11	45.7	24.2	16	5.8	3.7	8.7	17.4
R04S-9-AJ	19.6	12.1	8.7	14.3	29.4	21.2	5.8	2.31	-	4.7
R04S-15-AJ	23.5	16	8.7	18.2	29.4	21.2	5.8	2.31	-	5.8
R04S-21-AJ	27.3	19.8	8.7	22	29.4	21.2	5.8	2.31	-	6.5
R04S-25-AJ	29.8	22.3	8.7	24.5	29.4	21.2	5.8	2.31	6.6	7.9
R04S-31-AJ	33.6	26.1	8.7	28.3	29.4	21.2	5.8	2.31	6.6	8.4
R04S-37-AJ	37.4	29.9	8.7	32.1	29.4	21.2	5.8	2.31	6.6	9.5
R04S-A51-AJ	46.3	38.8	8.7	41	29.4	21.2	5.8	2.31	6.6	13.1
R04S-51-AJ	36.2	28.7	9.7	30.9	31.7	23.5	5.8	2.31	7.5	11.9
R04S-69-AJ	43.8	36.3	9.7	38.5	31.7	23.5	5.8	2.31	7.5	15.7
R04S-100-AJ	54.7	38.8	11	45.7	32.2	24	5.8	3.7	8.7	17.5
R04S-9-AG	19.6	11.2	8.7	14.3	17.3	19.4	-	2.31	-	4.7
R04S-15-AG	23.5	15	8.7	18.2	18.4	23.2	-	2.31	-	5.8
R04S-21-AG	27.3	18.8	8.7	22	19.1	27	-	2.31	-	6.5
R04S-25-AG	29.8	21.4	8.7	24.5	20.4	29.6	-	2.31	6.7	7.8
R04S-31-AG	33.6	25.2	8.7	28.3	20.9	33.4	-	2.31	6.7	8.3
R04S-37-AG	37.4	29	8.7	32.1	22.1	37.2	-	2.31	6.7	9.5
R04S-A51-AG	46.3	37.9	8.7	41	25.6	46.1	-	2.31	6.7	13
R04S-51-AG	36.2	27.8	9.7	30.9	24.5	36	-	2.31	7.5	11.9
R04S-69-AG	43.8	35.4	9.7	38.5	28.3	43.6	-	2.31	7.5	15.7
R04S-100-AG	54.7	38.7	11	45.7	30	46.9	-	3.7	8.7	17.4