



Company Profile:

Sunkye International Co., Limited.(Connector) Business Group, with sixty five years of experience, specializes in designing and producing connectors, related components and cables. A wide range of connector products, twist pin connector, optical fiber connector, RF coaxial connector, separable connector, custom and application-

Company profile

specific connector, etc, which are widely used in military area: aerospace, aviation, electrical, ship-building, defense system, etc and civil area: communication, telecom, automotive, rail, etc.

Design team focuses on meeting customers' requirement with continuous innovative technology, manufacture team provides high quality products by utilizing advanced equipments in standardized processes to ensure customers' benefits.

Sunkye is ISO 9001 certified, UL, VDE, CE certification passed, and ensures products quality by testing in realistic conditions with advanced test facilities, professional test employees.

Sunkye team is committed to offering high quality products, best service, prompt delivery and competitive price for you.



Manufacture Equipment:

Five-Axis CNC, AGIE EDM, SODICK WEDM-LS, 40G Vector Network Analyzers, Vacuum Heat Treatment Equipment, Glass-sintered System, Laser Processing Center, High Velocity Ram Machine, Gold, Nickel and Cadmium Plating Production Line, Thermosetting Injection Machine, Thermoplastic Injection Machine, Swiss Automatic Lathe, etc.

Test Facilities:

Comprehensive Test Instrument of Temperature, Humidity and Vibration; Experimental Box of Temperature and Shock; layer thickness meter; Coordinate Measurement Machine, etc.



MIL-DTL-83513 Micro-D Connectors

SUNKYE



CONTENT



MIL-DTL-83513 Micro-D Connectors
R04A Series Solder Cup Connectors

MIL-DTL-83513 Micro-D Connectors

R04A Series Solder Cup Connectors



Brief Introduction

- Micro-D Connectors
- Twist Pin Contacts, High Density
- Metal Shell, Nickel or Cadmium Plating
- Solder Cup Connectors
- Meets MIL-DTL-83513

Specifications

■ Environment Temperature:	-55 °C ~ 125 °C
■ Vibration:	10Hz~2000Hz, 196m/s ²
■ Random Vibration:	Power spectrum density 0.4G ² /Hz, root mean square value of total acceleration 23.1G
■ Shock:	735m/s ² 11sm
■ Rated Current:	3A
■ Contact Resistance:	≤10mΩ
■ Insulation Resistance:	≥5000MΩ
■ Dielectric Strength:	800V
■ Durability:	500 times

Product Stereogram

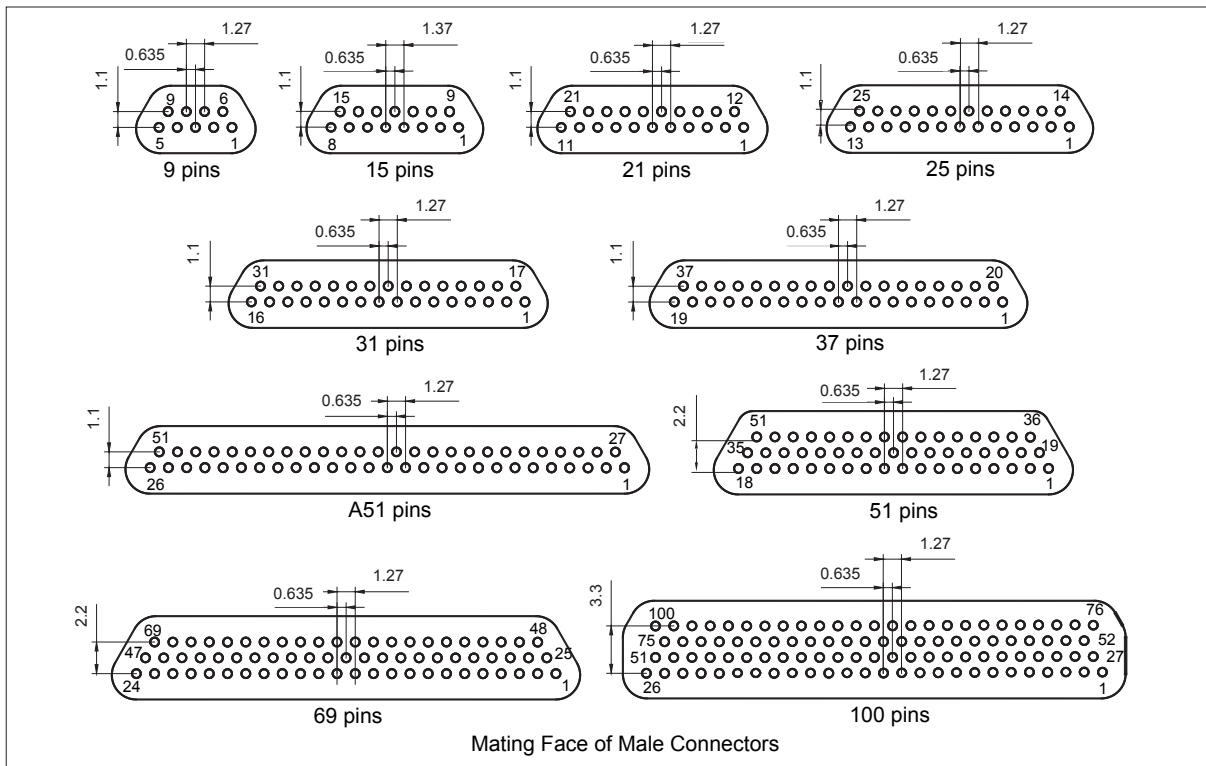


Plug



Receptacle

Contact Arrangements

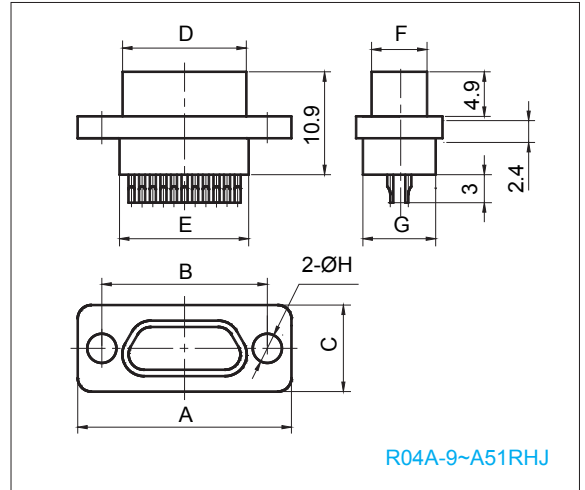
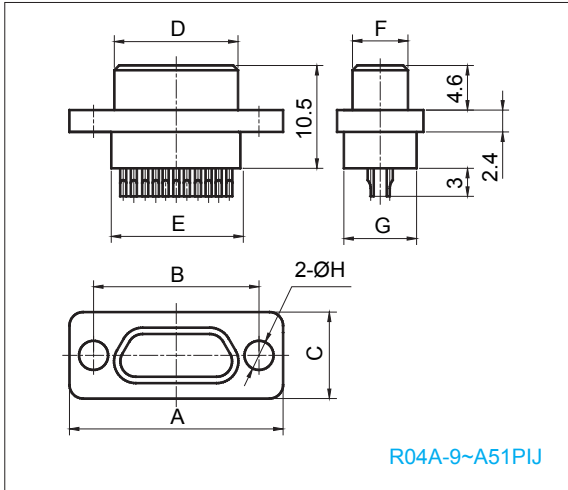


How To Order

Sample Part Number	R04A	-31	PI	J	B01	G	AB
Series: R04A—Micro-D Connectors for MIL-DTL-83513							
Contact Number: 9, 15, 21, 25, 31, 37, A51, 51, 69, 100pins							
Contact Type: PI—Pin in Plug RH—Socket in Receptacle							
Tail Termination Style: J—Solder Cup							
Locking Hardware Type: B01—Locking Hardware Type (See page 5 to 9) No Code—No Locking Hardware							
Shell Material and Finish : G—Aluminum Shell, Cadmium Plating No Code—Aluminum Shell, Nickel Plating							
Backshell Type: AB—Backshell Type (See page 10 to 12) No Code—No Backshell							

R04A Series Solder Cup Connectors

Outline Dimensions

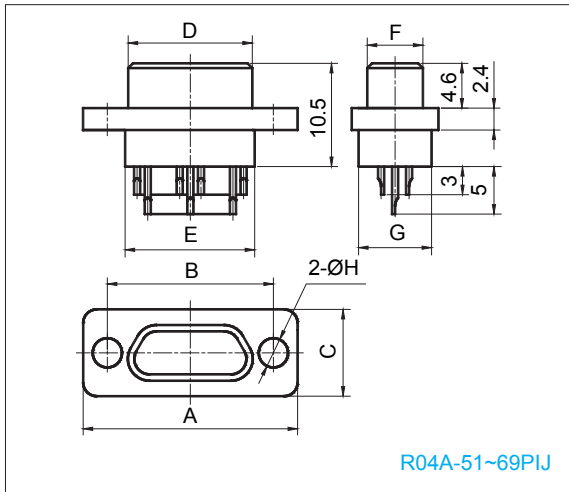


Part Number	Outline Dimensions							
	A	B	C	D	E	F	G	H
R04A-9PIJ	19.6	14.3	7.6	8.4	9.9	4.7	6.8	2.31
R04A-15PIJ	23.5	18.2	7.6	12.3	13.8	4.7	6.8	2.31
R04A-21PIJ	27.3	22	7.6	16.1	17.6	4.7	6.8	2.31
R04A-25PIJ	29.8	24.5	7.6	18.6	20.2	4.7	6.8	2.31
R04A-31PIJ	33.6	28.3	7.6	22.4	24	4.7	6.8	2.31
R04A-37PIJ	37.4	32.1	7.6	26.2	27.8	4.7	6.8	2.31
R04A-A51PIJ	46.3	41	7.6	35	36.7	4.7	6.8	2.31
R04A-9RHJ	19.6	14.3	7.6	9.9	9.9	6.1	6.8	2.31
R04A-15RHJ	23.5	18.2	7.6	13.7	13.8	6.1	6.8	2.31
R04A-21RHJ	27.3	22	7.6	17.5	17.6	6.1	6.8	2.31
R04A-25RHJ	29.8	24.5	7.6	20.1	20.2	6.1	6.8	2.31
R04A-31RHJ	33.6	28.3	7.6	23.9	24	6.1	6.8	2.31
R04A-37RHJ	37.4	32.1	7.6	27.7	27.8	6.1	6.8	2.31
R04A-A51RHJ	46.3	41	7.6	36.5	36.7	6.1	6.8	2.31

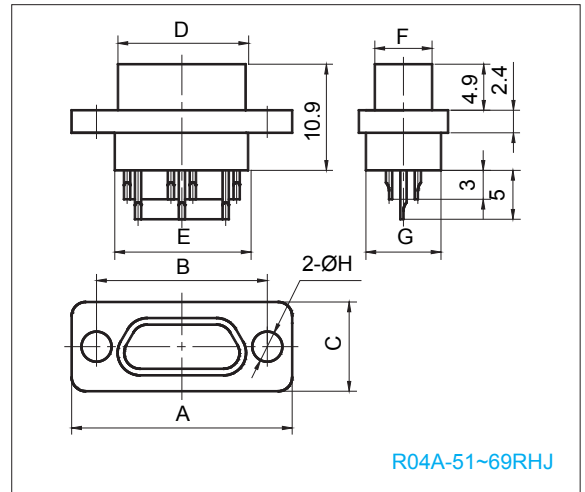
Remark: All dimensions are in mm.

R04A Series Solder Cup Connectors

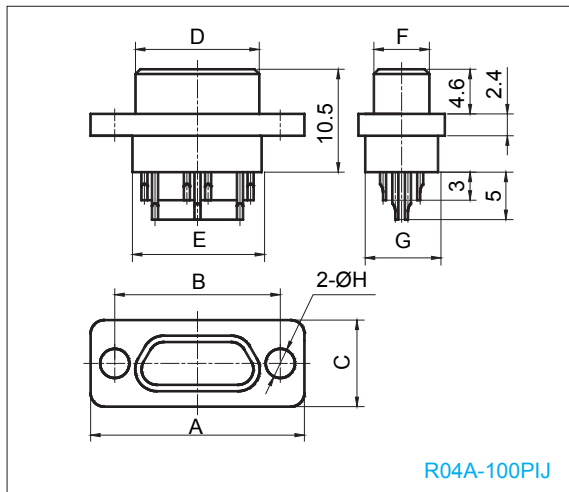
Outline Dimensions



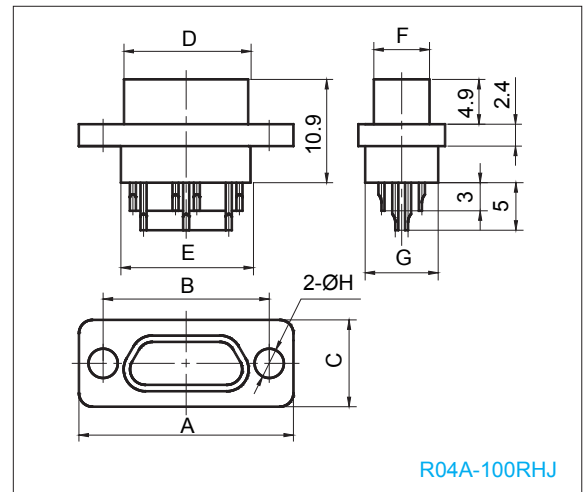
R04A-51~69PIJ



R04A-51~69RHJ



R04A-100PIJ

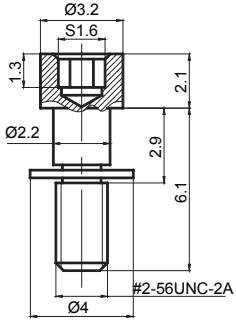
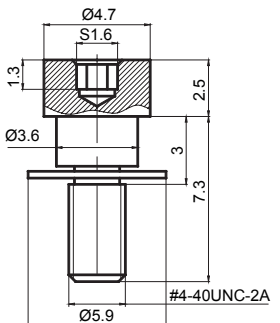
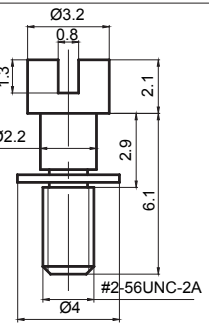
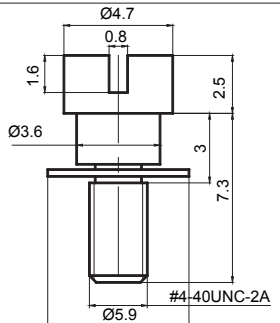
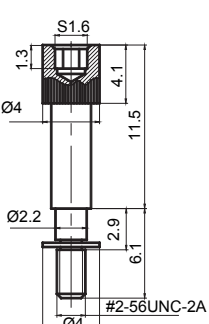
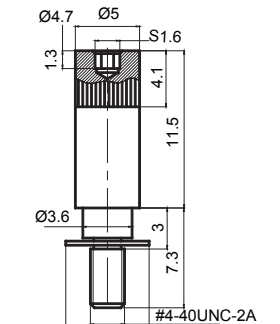
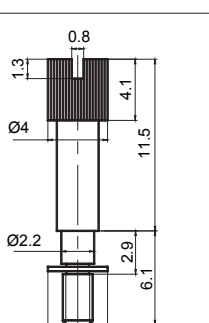
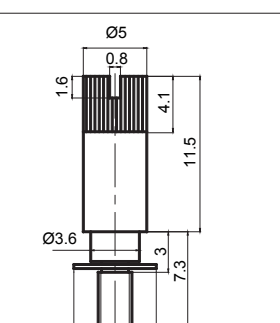


R04A-100RHJ

Part Number	Outline Dimensions							
	A	B	C	D	E	F	G	H
R04A-51PIJ	36.2	30.9	8.7	25	26.6	5.8	7.9	2.31
R04A-69PIJ	43.8	38.5	8.7	32.6	34.2	5.8	7.9	2.31
R04A-100PIJ	54.7	45.7	9.7	35.1	36.6	6.8	9.1	3.7
R04A-51RHJ	36.2	30.9	8.7	26.5	26.6	7.2	7.9	2.31
R04A-69RHJ	43.8	38.5	8.7	34.1	34.2	7.2	7.9	2.31
R04A-100RHJ	54.7	45.7	9.7	36.6	36.6	8.3	9.1	3.7

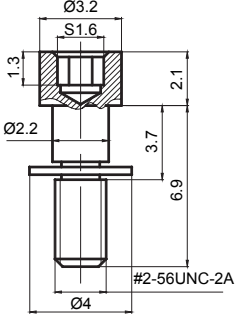
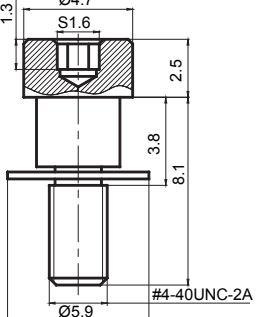
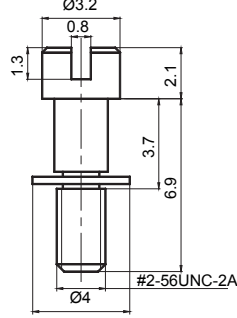
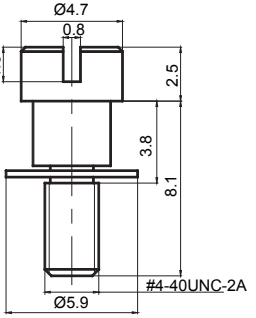
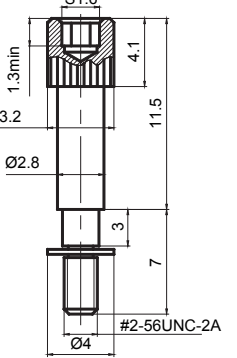
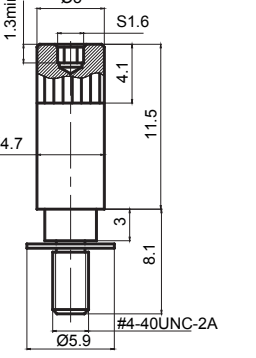
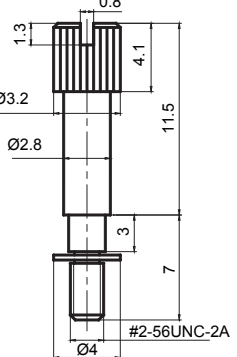
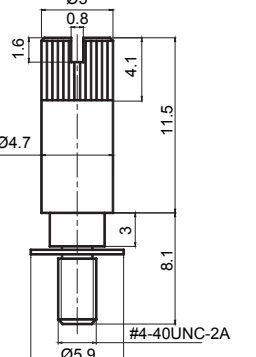
Remark: All dimensions are in mm.

Locking Hardware

Code	Feature	Outline Dimensions	
		9~69pins	100pins
B01	<ol style="list-style-type: none"> Removable Short Jackscrew with A Retainer Ring Hex Head 		
B02	<ol style="list-style-type: none"> Removable Short Jackscrew with A Retainer Ring Slot Head 		
B03	<ol style="list-style-type: none"> Removable Long Jackscrew with A Retainer Ring Hex Head 		
B04	<ol style="list-style-type: none"> Removable Long Jackscrew with A Retainer Ring Slot Head 		

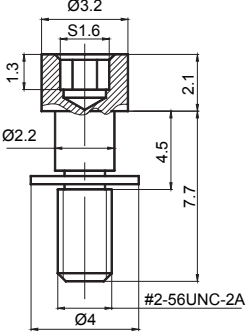
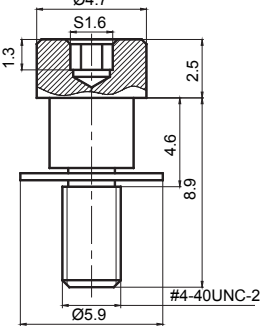
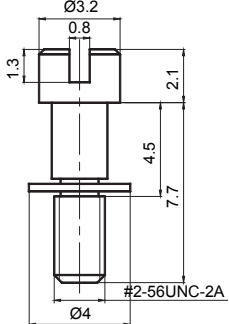
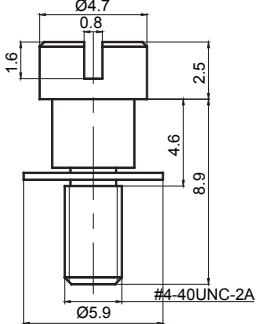
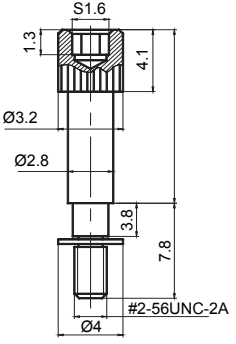
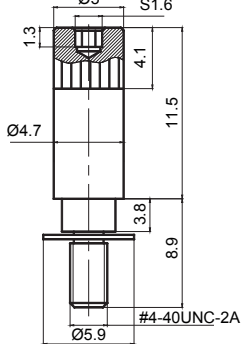
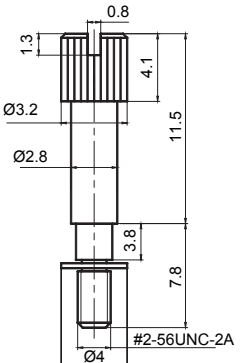
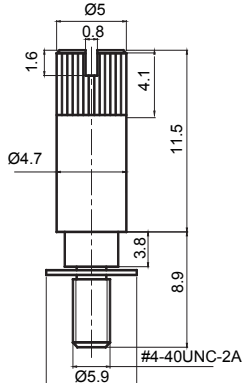
Remark: All dimensions are in mm.

Locking Hardware

Code	Feature	Outline Dimensions	
		9~69pins	100pins
B05	<ol style="list-style-type: none"> Removable Short Jackscrew with A Retainer Ring Hex Head For Connectors with AA, AB, AC, AD or AG Type Backshells 		
B06	<ol style="list-style-type: none"> Removable Short Jackscrew with A Retainer Ring Slot Head For Connectors with AA, AB, AC, AD or AG Type Backshells 		
B07	<ol style="list-style-type: none"> Removable Long Jackscrew with A Retainer Ring Hex Head For Connectors with AA, AB, AC, AD or AG Type Backshells 		
B08	<ol style="list-style-type: none"> Removable Long Jackscrew with A Retainer Ring Slot Head For Connectors with AA, AB, AC, AD or AG Type Backshells 		

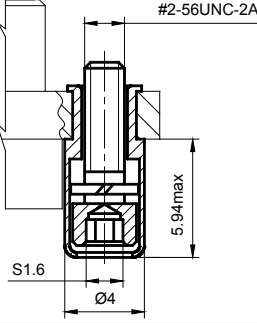
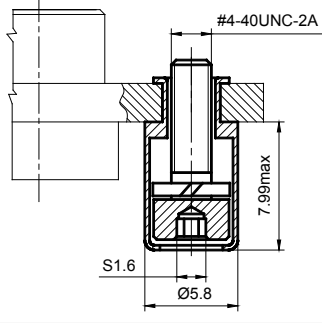
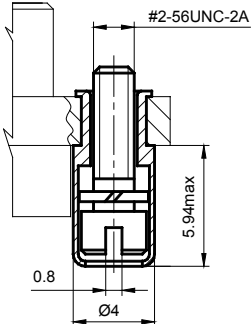
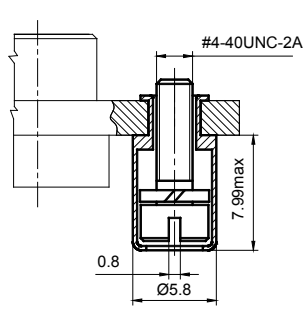
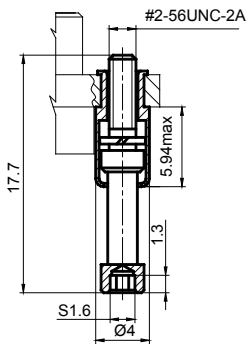
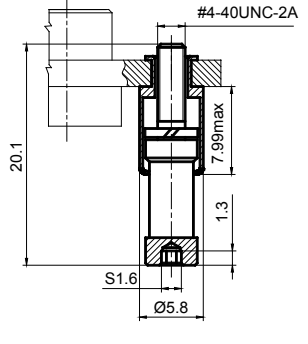
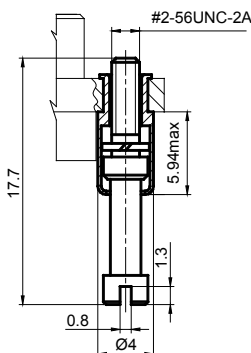
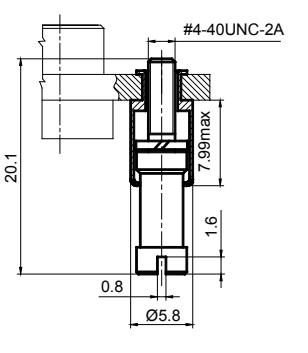
Remark: All dimensions are in mm.

Locking Hardware

Code	Feature	Outline Dimensions	
		9~69pins	100pins
B10	<ol style="list-style-type: none"> 1. Removable 2. Short Jackscrew with A Retainer Ring 3. Hex Head 4. For Connectors with AH or AJ Type Backshells 		
B11	<ol style="list-style-type: none"> 1. Removable 2. Short Jackscrew with A Retainer Ring 3. Slot Head 4. For Connectors with AH or AJ Type Backshells 		
B12	<ol style="list-style-type: none"> 1. Removable 2. Long Jackscrew with A Retainer Ring 3. Hex Head 4. For Connectors with AH or AJ Type Backshells 		
B13	<ol style="list-style-type: none"> 1. Removable 2. Slot Long Jackscrew with A Retainer Ring 3. Slot Head 4. For Connectors with AH or AJ Type Backshells 		

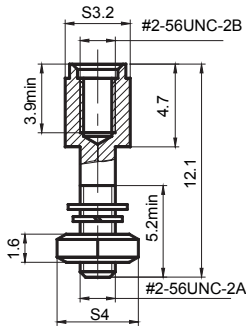
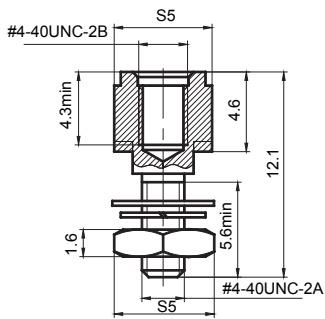
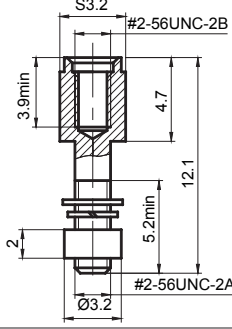
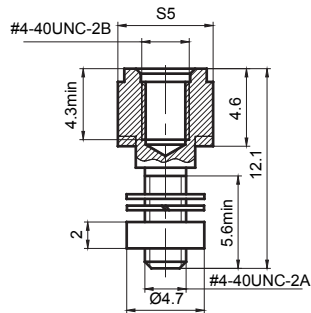
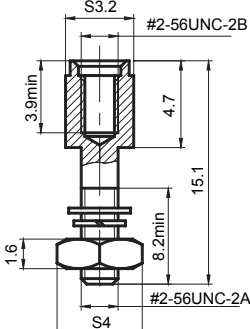
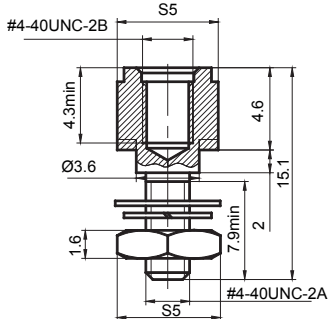
Remark: All dimensions are in mm.

Locking Hardware

Code	Feature	Outline Dimensions	
		9~69pins	100pins
S01	1. Non-Removable 2. Short Jackscrew with A Retainer Sleeve 3. Hex Head		
S02	1. Non-Removable 2. Short Jackscrew with A Retainer Sleeve 3. Slot Head		
S03	1. Non-Removable 2. Long Jackscrew with A Retainer Sleeve 3. Hex Head		
S04	1. Non-Removable 2. Long Jackscrew with A Retainer Sleeve 3. Slot Head		

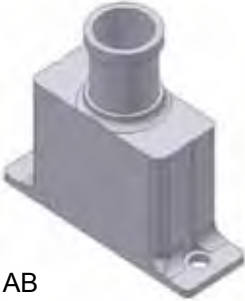

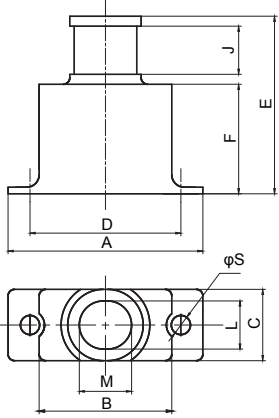

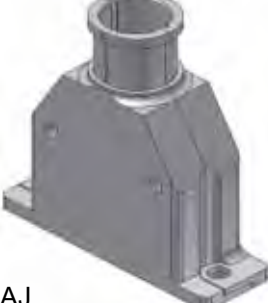

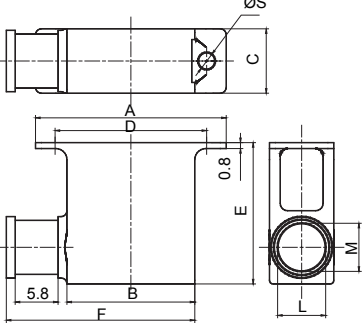
Remark: All dimensions are in mm.

Locking Hardware

Code	Feature	Outline Dimensions	
		9~69pins	100pins
N01	<ol style="list-style-type: none"> Hex Head Jackpost For Front Panel Mounting Panel Thickness is Not More Than 2mm 		
N06	<ol style="list-style-type: none"> Hex Head Jackpost For Connectors with Backshells 		
N07	<ol style="list-style-type: none"> Hex Head Jackpost For Front Panel Mounting Panel Thickness is Not More Than 5mm 		

Remark: All dimensions are in mm.

Backshells

Stereogram & Feature		Outline Dimensions
 <p>AB</p> <p>AB Style: One-Piece, Standard Type</p>	 <p>AC</p> <p>AC Style: One-Piece, Wide Entry</p>	
 <p>AD</p> <p>AD Style: Two-Piece, Elongated Type</p>	 <p>AJ</p> <p>AJ Style: Two-Piece, Non-Skid and Elongated Type</p>	
 <p>AG</p> <p>AG Style: One-Piece, Standard Type with 90° Entry</p>		

Remark: All dimensions are in mm.

Outline Dimensions Of Backshells

Part Number	Outline Dimensions									
	A	B	C	D	E	F	J	ØS	L	M
R04A-9-AB	19.6	11.2	8.7	14.3	21.4	13.2	5.8	2.31	-	4.7
R04A-15-AB	23.5	15	8.7	18.2	21.4	13.2	5.8	2.31	-	5.8
R04A-21-AB	27.3	18.8	8.7	22	21.4	13.2	5.8	2.31	-	6.5
R04A-25-AB	29.8	21.4	8.7	24.5	21.4	13.2	5.8	2.31	6.7	7.8
R04A-31-AB	33.6	25.2	8.7	28.3	21.4	13.2	5.8	2.31	6.7	8.3
R04A-37-AB	37.4	29	8.7	32.1	21.4	13.2	5.8	2.31	6.7	9.5
R04A-A51-AB	46.3	37.9	8.7	41	21.4	13.2	5.8	2.31	6.7	13
R04A-51-AB	36.2	27.8	9.7	30.9	23.7	15.5	5.8	2.31	7.5	11.9
R04A-69-AB	43.8	35.4	9.7	38.5	23.7	15.5	5.8	2.31	7.5	15.7
R04A-100-AB	54.7	38.7	11	45.7	24.2	16	5.8	3.7	8.7	17.4
R04A-9-AC	19.6	11.2	8.7	14.3	21.4	13.2	5.8	2.31	6.7	7.9
R04A-15-AC	23.5	15	8.7	18.2	21.4	13.2	5.8	2.31	6.7	11.6
R04A-21-AC	27.3	18.8	8.7	22	21.4	13.2	5.8	2.31	6.7	15.4
R04A-25-AC	29.8	21.4	8.7	24.5	21.4	13.2	5.8	2.31	6.7	18
R04A-31-AC	33.6	25.2	8.7	28.3	21.4	13.2	5.8	2.31	6.7	21.8
R04A-37-AC	37.4	29	8.7	32.1	21.4	13.2	5.8	2.31	6.7	25.6
R04A-A51-AC	46.3	37.9	8.7	41	21.4	13.2	5.8	2.31	6.7	26.2
R04A-51-AC	36.2	27.8	9.7	30.9	23.7	15.5	5.8	2.31	7.5	23.4
R04A-69-AC	43.8	35.4	9.7	38.5	23.7	15.5	5.8	2.31	7.5	29.4
R04A-100-AC	54.7	38.7	11	45.7	24.2	16	5.8	3.7	8.7	34.1
R04A-9-AD	19.6	12.1	8.7	14.3	29.4	21.2	5.8	2.31	-	4.7
R04A-15-AD	23.5	16	8.7	18.2	29.4	21.2	5.8	2.31	-	5.8
R04A-21-AD	27.3	19.8	8.7	22	29.4	21.2	5.8	2.31	-	6.5
R04A-25-AD	29.8	22.3	8.7	24.5	29.4	21.2	5.8	2.31	6.6	7.9
R04A-31-AD	33.6	26.1	8.7	28.3	29.4	21.2	5.8	2.31	6.6	8.4
R04A-37-AD	37.4	29.9	8.7	32.1	29.4	21.2	5.8	2.31	6.6	9.5
R04A-A51-AD	46.3	38.8	8.7	41	29.4	21.2	5.8	2.31	6.6	13.1
R04A-51-AD	36.2	28.7	9.7	30.9	31.7	23.5	5.8	2.31	7.5	11.9
R04A-69-AD	43.8	36.3	9.7	38.5	31.7	23.5	5.8	2.31	7.5	15.7
R04A-100-AD	54.7	38.8	11	45.7	32.2	24	5.8	3.7	8.7	17.5
R04A-9-AJ	19.6	12.1	8.7	14.3	29.4	21.2	5.8	2.31	-	4.7
R04A-15-AJ	23.5	16	8.7	18.2	29.4	21.2	5.8	2.31	-	5.8
R04A-21-AJ	27.3	19.8	8.7	22	29.4	21.2	5.8	2.31	-	6.5
R04A-25-AJ	29.8	22.3	8.7	24.5	29.4	21.2	5.8	2.31	6.6	7.9
R04A-31-AJ	33.6	26.1	8.7	28.3	29.4	21.2	5.8	2.31	6.6	8.4
R04A-37-AJ	37.4	29.9	8.7	32.1	29.4	21.2	5.8	2.31	6.6	9.5
R04A-A51-AJ	46.3	38.8	8.7	41	29.4	21.2	5.8	2.31	6.6	13.1
R04A-51-AJ	36.2	28.7	9.7	30.9	31.7	23.5	5.8	2.31	7.5	11.9
R04A-69-AJ	43.8	36.3	9.7	38.5	31.7	23.5	5.8	2.31	7.5	15.7
R04A-100-AJ	54.7	38.8	11	45.7	32.2	24	5.8	3.7	8.7	17.5
R04A-9-AG	19.6	11.2	8.7	14.3	17.3	19.4	-	2.31	-	4.7
R04A-15-AG	23.5	15	8.7	18.2	18.4	23.2	-	2.31	-	5.8
R04A-21-AG	27.3	18.8	8.7	22	19.1	27	-	2.31	-	6.5
R04A-25-AG	29.8	21.4	8.7	24.5	20.4	29.6	-	2.31	6.7	7.8

Remark: All dimension are in mm.

Outline Dimensions Of Backshells

Part Number	Outline Dimensions									
	A	B	C	D	E	F	J	ØS	L	M
R04A-31-AG	33.6	25.2	8.7	28.3	20.9	33.4	-	2.31	6.7	8.3
R04A-37-AG	37.4	29	8.7	32.1	22.1	37.2	-	2.31	6.7	9.5
R04A-A51-AG	46.3	37.9	8.7	41	25.6	46.1	-	2.31	6.7	13
R04A-51-AG	36.2	27.8	9.7	30.9	24.5	36	-	2.31	7.5	11.9
R04A-69-AG	43.8	35.4	9.7	38.5	28.3	43.6	-	2.31	7.5	15.7
R04A-100-AG	54.7	38.7	11	45.7	30	46.9	-	3.7	8.7	17.4

Remark: All dimension are in mm.

