

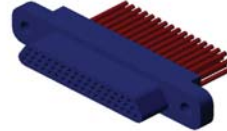
Product solid picture of crimp type



R04-31PI



R04-31RH

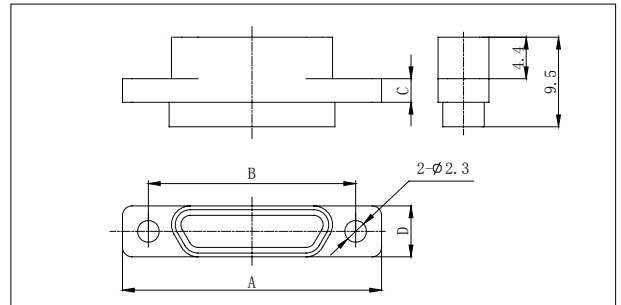
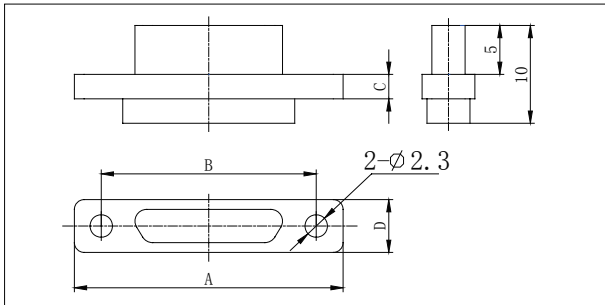


R04-51PI



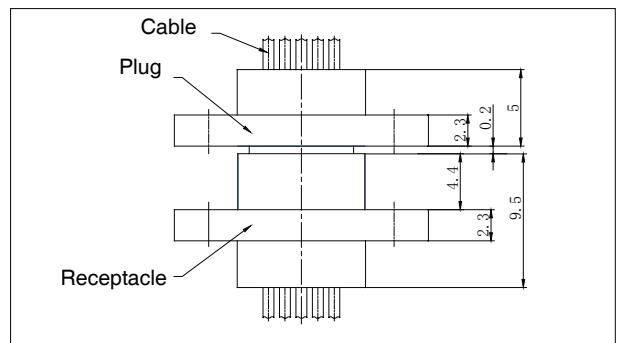
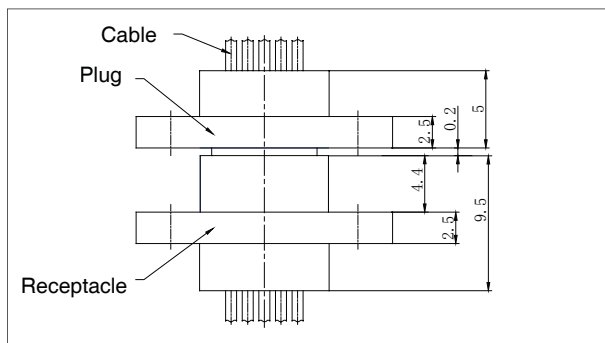
R04-51RH

Outline dimension for sold cup and crimp type



Part no.	A	B	C	D	Part no.	A	B	C	D
R04-9PI/9PIJ	19.8	14.3	2.5	5.4	R04-9RH/9RHJ	19.8	14.3	2.5	5.4
R04-15PI/15PIJ	23.6	18.2	2.5	5.4	R04-15RH/15RHJ	23.6	18.2	2.5	5.4
R04-21PI/21PIJ	27.5	22	2.5	5.4	R04-21RH/RHJ	27.5	22	2.5	5.4
R04-25PI/25PIJ	30	24.5	2.5	5.4	R04-25RH/25RHJ	30	24.5	2.5	5.4
R04-31PI/31PIJ	33.7	28.3	2.5	5.4	R04-31RH/31RHJ	33.7	28.3	2.5	5.4
R04-37PI/37PIJ	37.5	32.2	2.5	5.4	R04-37RH/37RHJ	37.5	32.2	2.5	5.4
R04-51PI/51PIJ	36.3	30.8	2.3	6.5	R04-51RH/51RHJ	36.3	30.8	2.3	6.5

Outline dimension after matching



Note: All dimensions in mm