



R013 Micro Strip Connector

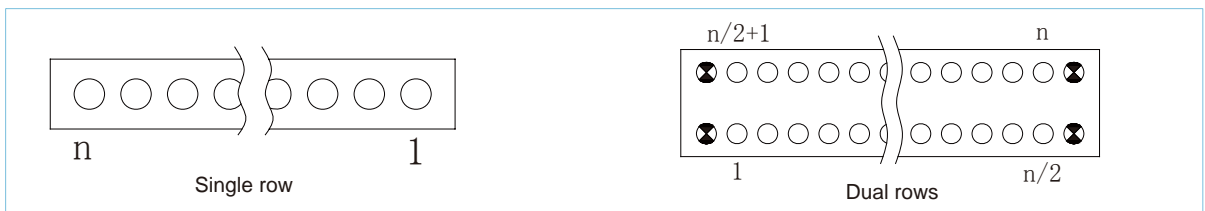
Brief Introduction

- Equivalent to Airborn M series buckle connector
- Twist pin contacts, high density interconnection
- With locking buckle, connector can be locked and separate quickly and avoid mis-operation
- Meet MIL-C-83513 standard, light weight connectors are suitable for harsh environment application.

Specification

- Environment temperature: $-55^{\circ}\text{C}\sim 125^{\circ}\text{C}$
- Contact resistance: $\leq 10\text{m}\Omega$
- Insulation resistance: $\geq 5000\text{M}\Omega$
- Sine vibration: $10\text{Hz}\sim 2000\text{Hz}$, 147m/s^2
- Shock: 735m/s^2 11ms
- Dielectric strength: 600V
- Durability: 500 times
- Rated current: 3A
- Insertion and extraction force: $0.7\text{N} \times n$ (n is contact no.)

Contact arrangement



View from the connection side

Single row connector with latch at top

How to order

Serial number R013 -8 PI S SY5

Contact: 2~18 pins

Contact type: PI- pin in plug
RH-socket in receptacle

Termination type:

- No designation-crimp contact
- J- soldercup
- S-straight to PCB
- F-right angle to PCB

Mounting position of latch:

SY5- Latch is mouted at pin#5



Top Mounted

Product solid picture



crimp contact- crimp contact



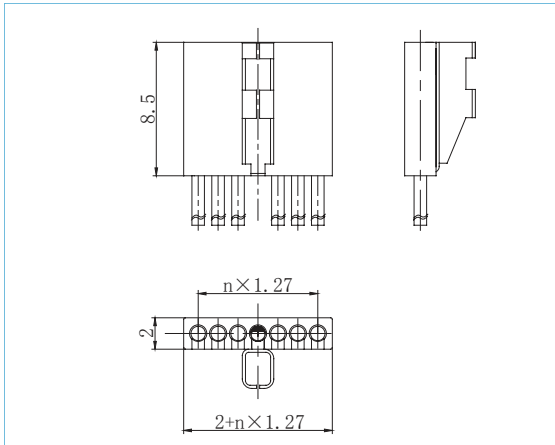
straight to PCB- crimp contact



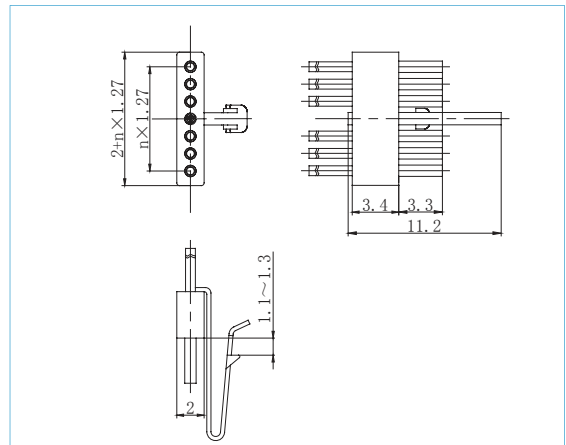
right angle to PCB- crimp contact



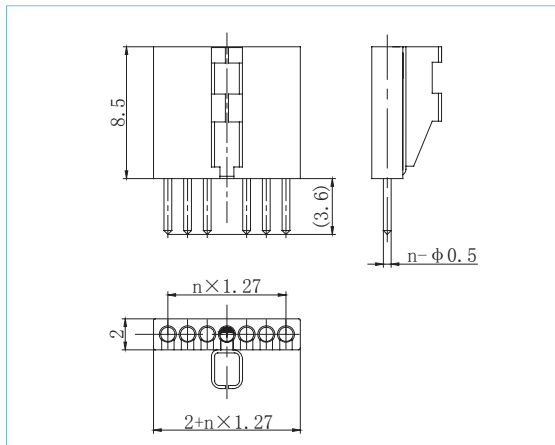
Appearance dimension



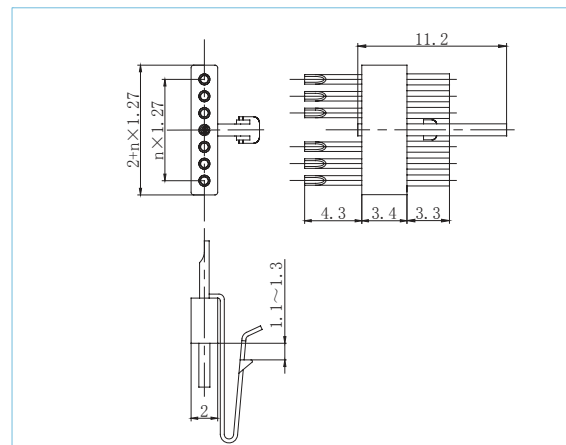
R013-PI SY*



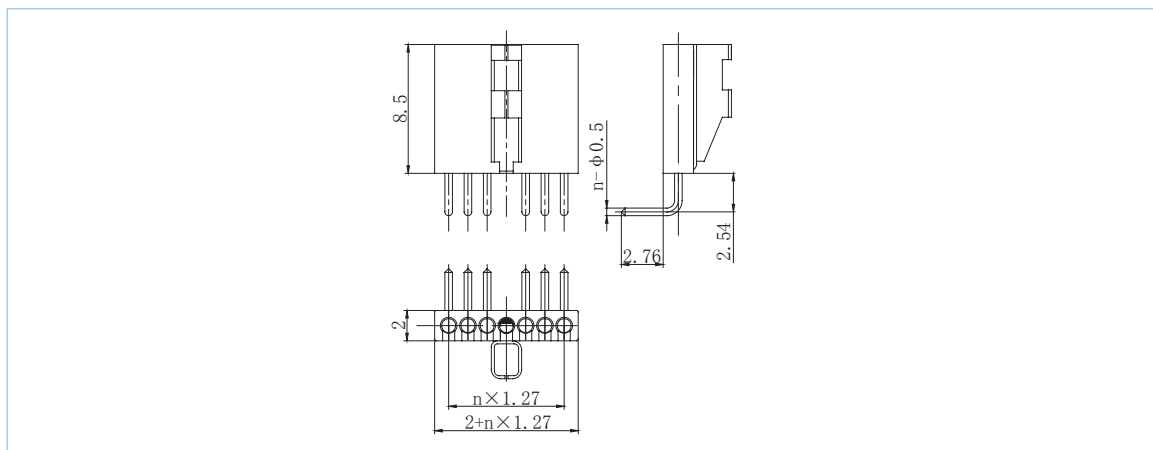
R013-RH SY*



R013-PIS SY*



R013-RHJ SY*



R013-PIF SY*



Single row connector with latch at top and mouting holes

How to order

Serial number R013K -8 RH J SY4

Contact: 2~18 pins

Contact type: PI- pin in plug
RH-socket in receptacle

Termination type:

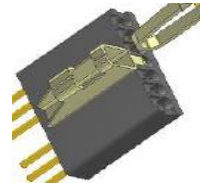
- No designation-crimp contact
- J- soldercup
- S-straight to PCB
- F-right angle to PCB

Mounting postion of latch:

SY5- Latch is mouted at pin#4

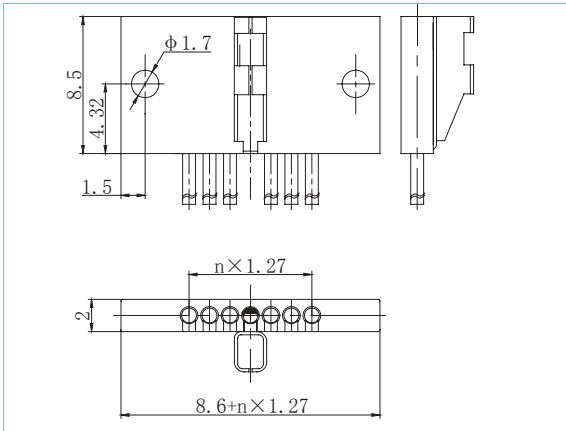


Mouting hole

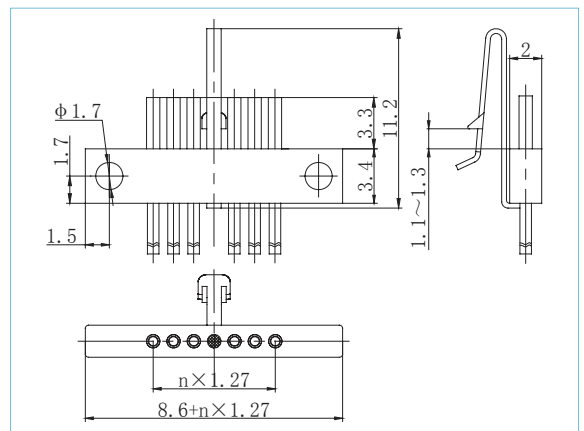


Top Mounted

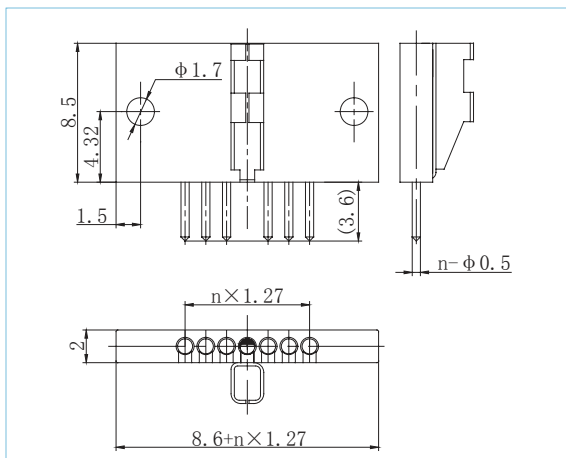
Appearance dimension



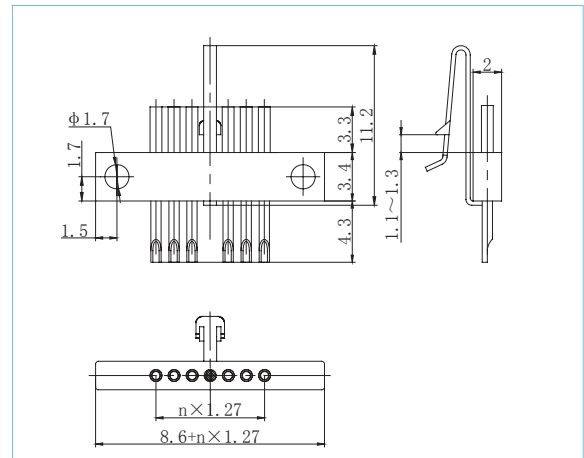
R013K-*PI SY*



R013K-*RH SY*



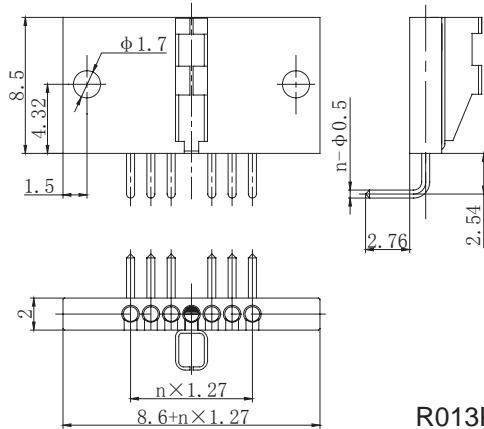
R013K-*PIS SY*



R013K-*RHJ SY*



Appearance dimension



Single row connector with latches at two ends

How to order

Serial number R013B -12 PI F S

Contact: 2~18 pins

Contact type: PI- pin in plug
RH-socket in receptacle

Termination type:

- No designation-crimp contact
- J- soldercup
- S-straight to PCB
- F-right angle to PCB

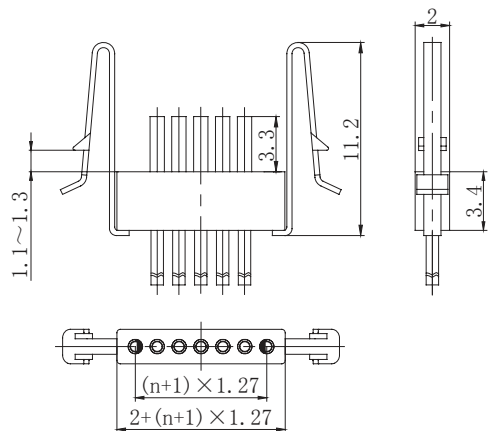
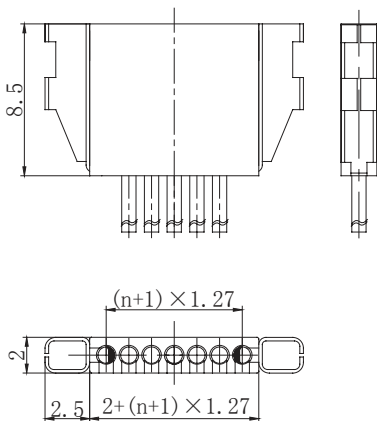
Mounting position of latch:

S- Latches are mouted at two ends



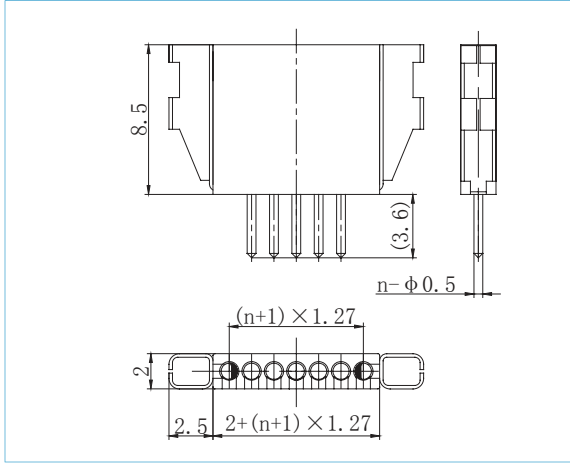
End Mouted

Appearance dimension

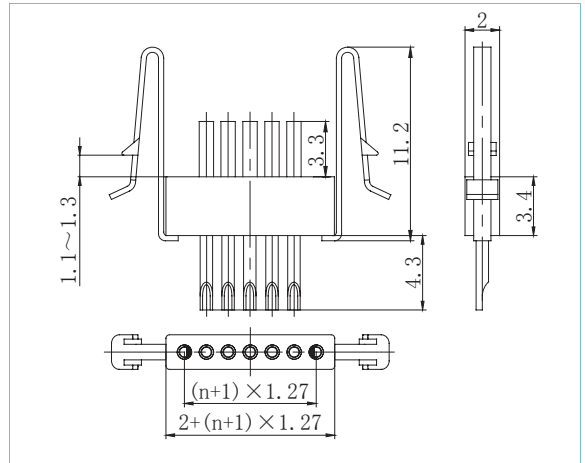




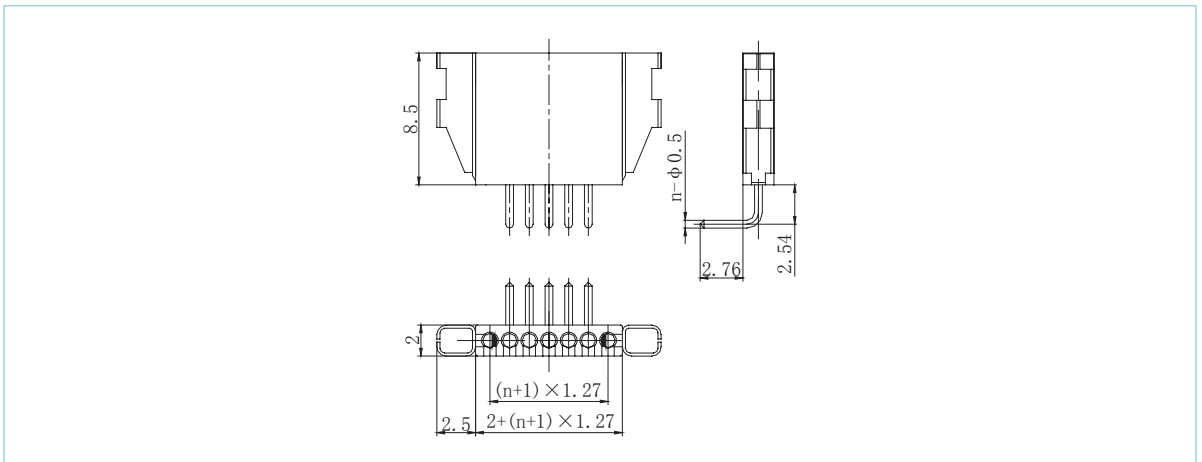
Appearance dimension



R013B-* PIS S



R013B-* RHJ S



R013B-* PIF S



Dual rows connector with latches at two ends

How to order

Serial number R013D -28 PI F S1

Contact: 16, 28, 38, 48, 52 pins

Contact type: PI- pin in plug
RH-socket in receptacle

Termination type:

- No designation-crimp contact
- J- soldercup
- S-straight to PCB
- F-right angle to PCB

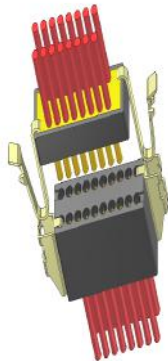
Mounting position of latch:

- S1- Mouted at the pin#1 and end pin of 1st row
- S2- Mouted at the pin#1 and end pin of 2nd row
- S3- Mouted at the pin#1 and end pin
- S4- Mouted at the end pin of 1st row and pin1 of 2nd row

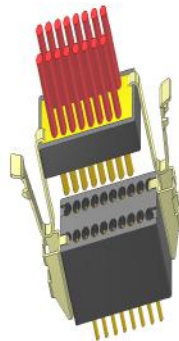


End Mouted

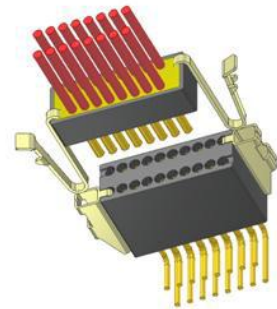
Product solid picture



crimp contact - crimp contact

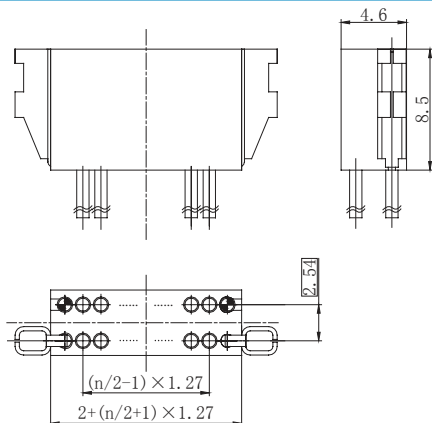


crimp contact - straight to PCB

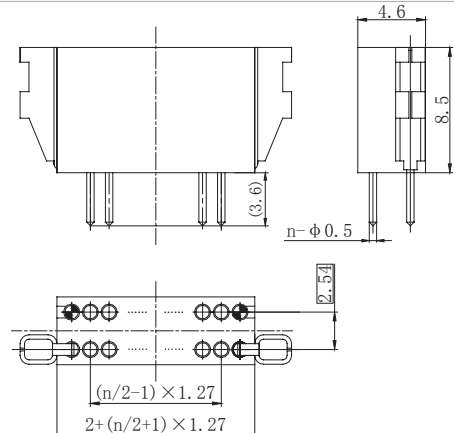


crimp contact - right angle to PCB

Appearance dimension



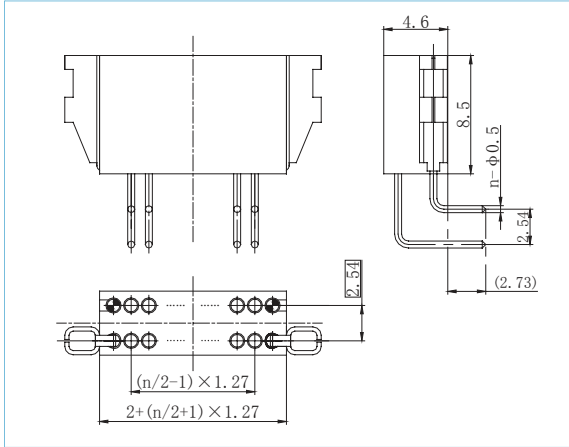
R013D-* PI S*



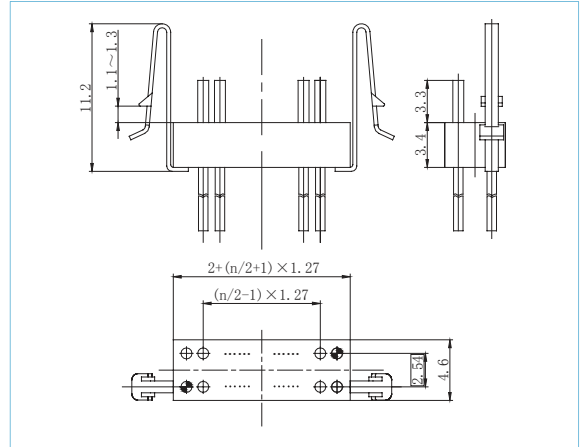
R013D-* PI SS*



Appearance dimension



R013D-* PIFS*



R013D-* RH S*