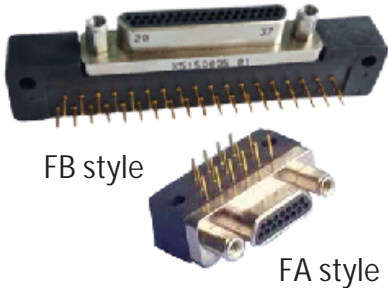


MIL-DTL-83513 Micro D-Sub Connectors

R04A Series Right Angle to PCB Type



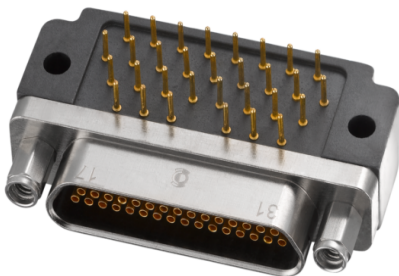
Brief Introduction

- Micro D-sub connectors
- Twist pin contact, high density interconnection
- Metal shell, plated nickel or cadmium
- Right angle to PCB type
- Meet MIL-DTL-83513

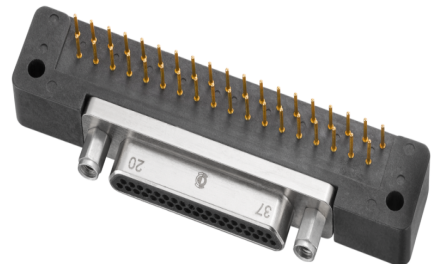
Specification

- Environment temperature: $-55\text{ }^{\circ}\text{C} \sim 125\text{ }^{\circ}\text{C}$
- Vibration: $10\text{Hz} \sim 2000\text{Hz}$, 196m/s^2
- Random vibration: Power spectrum density $0.4\text{G}^2/\text{Hz}$, root mean square value of total acceleration 23.1G
- Shock: 735m/s^2 11sm
- Rated current: 3A
- Contact resistance: $\leq 10\text{ m}\Omega$
- Insulation resistance: $\geq 5000\text{ M}\Omega$
- Dielectric strength: 800V
- Durability: 500 times

Product stereogram

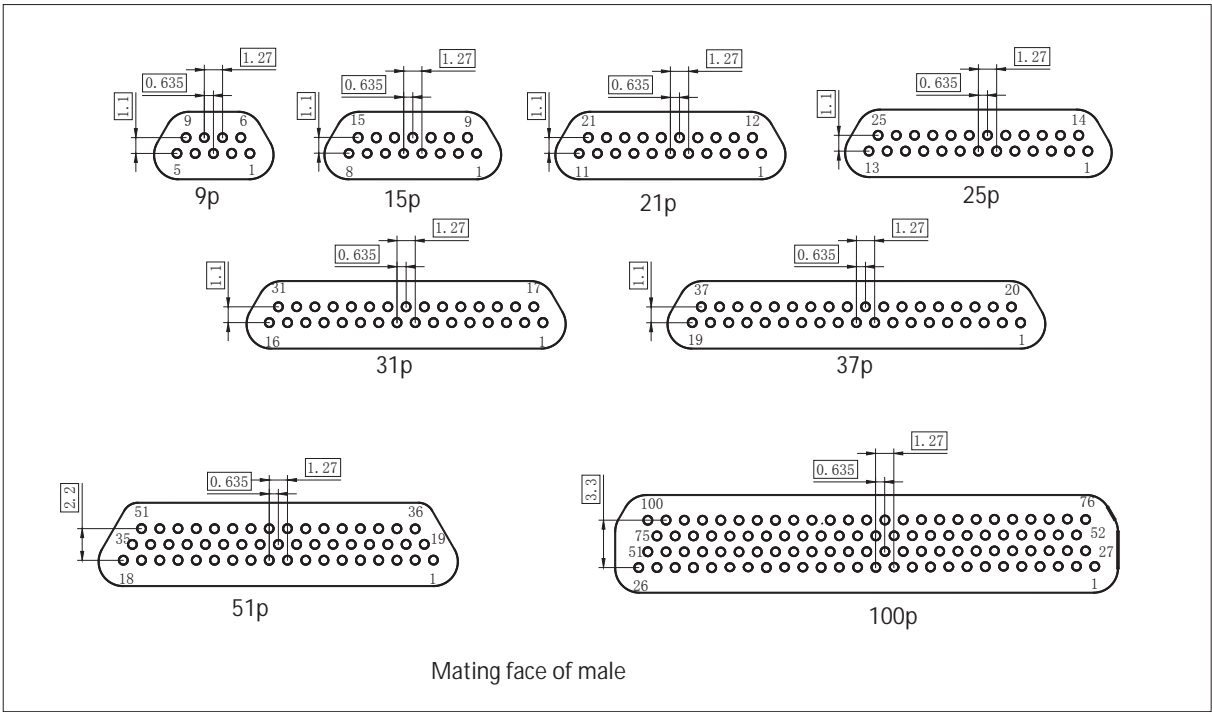


FA style



FB style


Contact arrangements



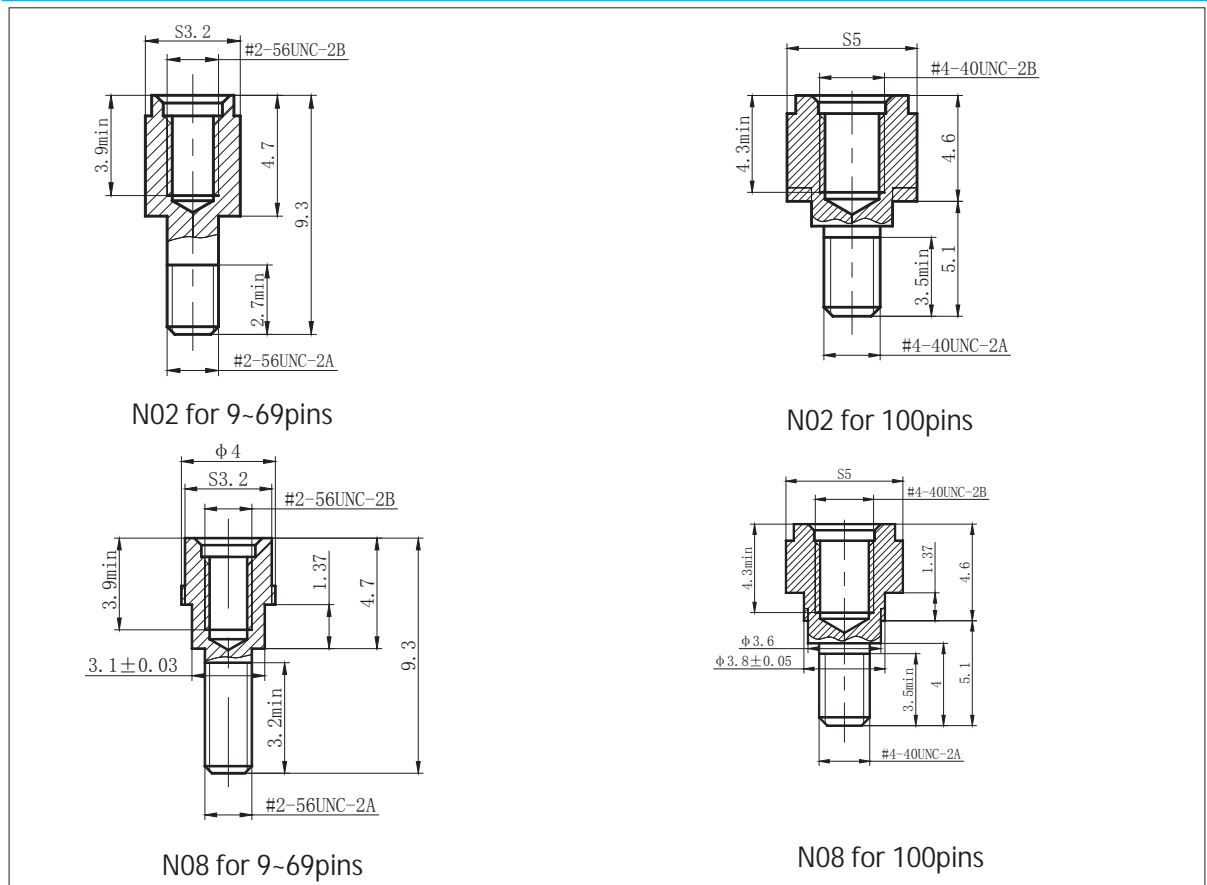
How to order

Sample part number:	R04A	-31	PI	FB	3	N02
Series: R04A-Micro D connectors for MIL-DTL-83513						
Contact number: 9,15,21,25,31,37,51,100pins						
Contact type: PI-pin in plug RH-socket in receptacle						
Right angle to PCB type: FA style and the PCB layout is 2.54*2.54mm FB style and the PCB layout is 2.54*2.54mm						
Tail length(see page3): 1-2.77mm 2-3.56mm 3-4.37mm						
Locking hardware: blank-without N02-locking hardware, please see page3						

The mating locking hardware

Code	Feature	The thichness of mounting panel	Stereogram	Outline dimension
N02	Jackpost with hex head	/		Please see below
N08	1. Jackpost with hex head 2. Fitted to Rear panel mounting only	1.5 $_{-0.10}^0$ mm		

Outline dimension



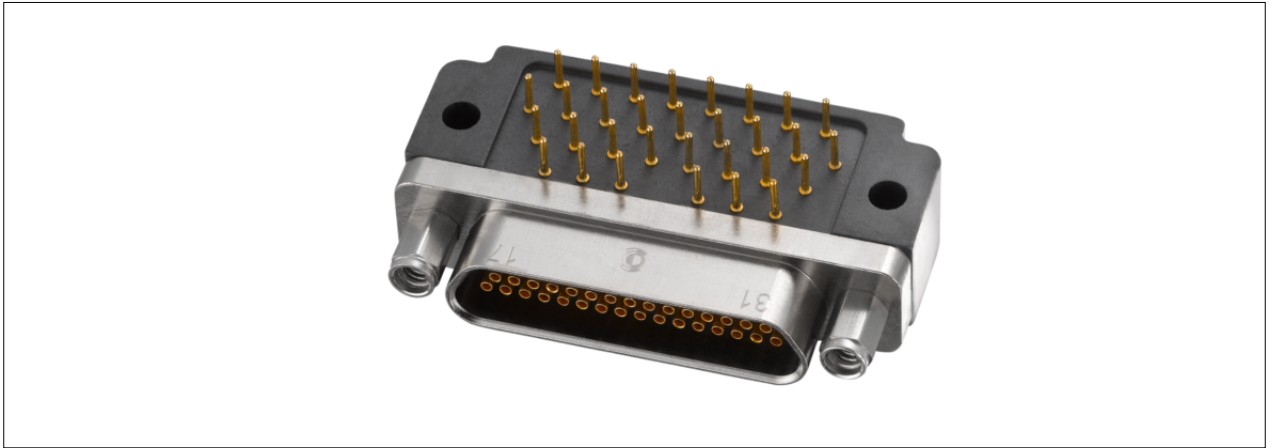
Tail length

tail code	tail length	Recommend the thickness of PCB(in mm)
1	2.77	1.2~2.2
2	3.56	2.0~3.0
3	4.37	2.8~3.8

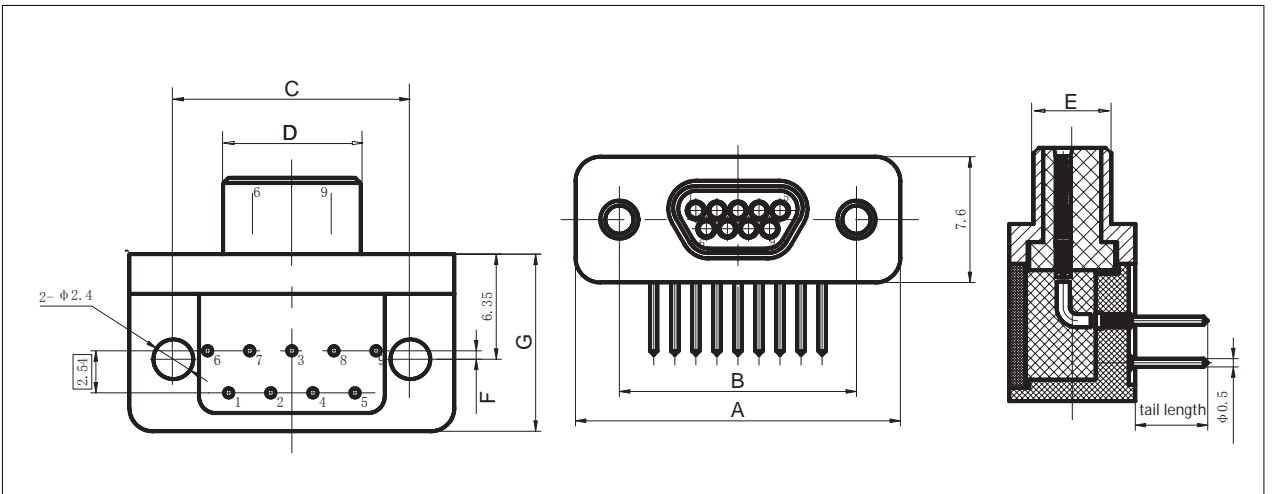
Note: all dimensions are in mm.

R04A series right angle to PCB connectors for FA style

Product stereogram



Outline dimension

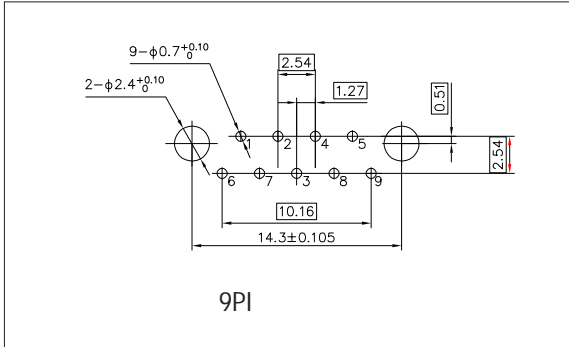


Contact Nos	A	B	C	D		E		F		G	
				PI	RH	PI	RH	PI	RH	PI	RH
9	19.6	14.3	14.3	8.4	10.16	4.7	6.1	0.51	0.51	10.7	10.7
15	23.5	18.2	18.2	12.3	14	4.7	6.1	3.05	3.05	10.7	10.7
21	27.3	22	22	16.1	17.8	4.7	6.1	3.05	3.05	10.7	10.7
25	29.8	24.5	24.5	18.6	20.3	4.7	6.1	3.05	3.05	10.7	10.7
31	33.6	28.3	28.3	22.4	24.12	4.7	6.1	3.05	3.05	13.1	13.1
37	37.4	32.1	32	26.3	27.9	4.7	6.1	3.05	3.05	13.1	13.1

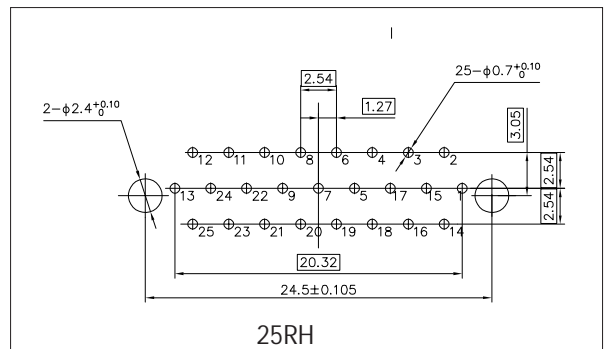
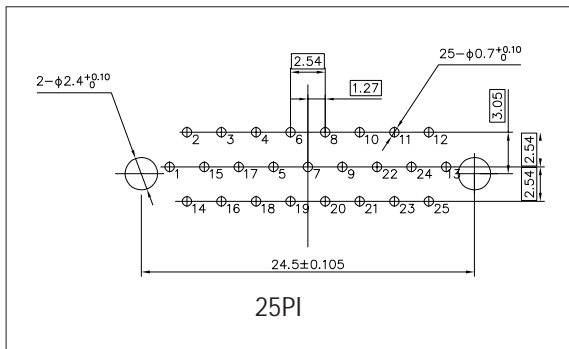
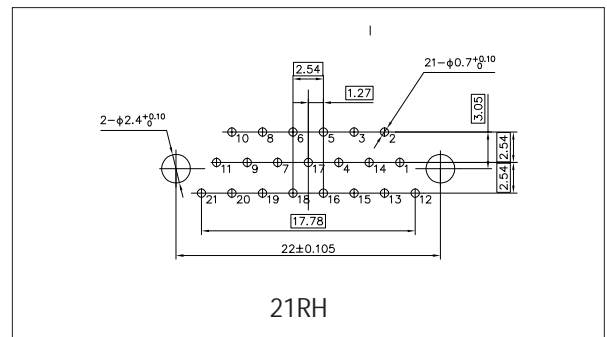
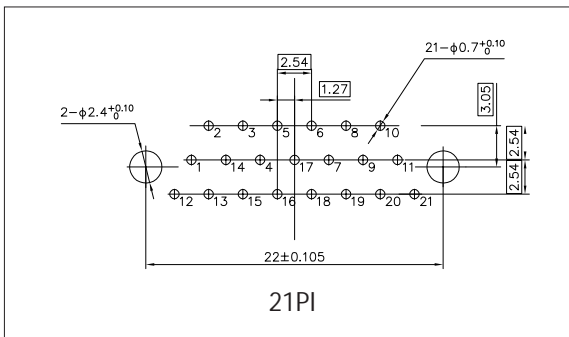
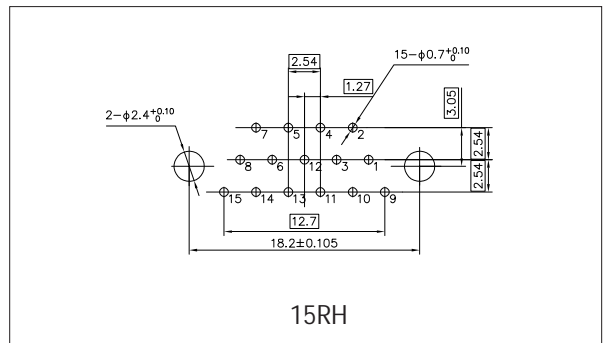
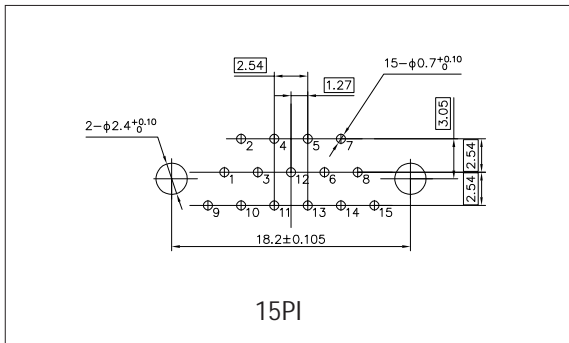
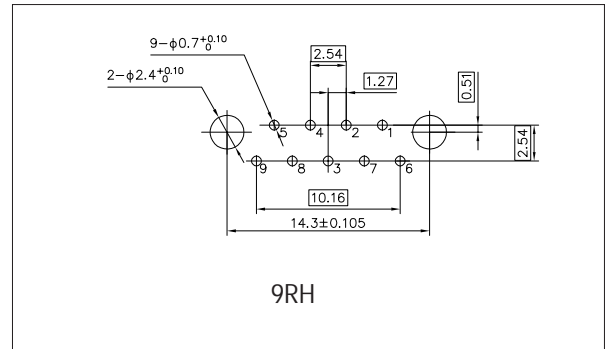
Note: all dimensions are in mm.

Recommend PCB layout for FA style

PCB layout for plug



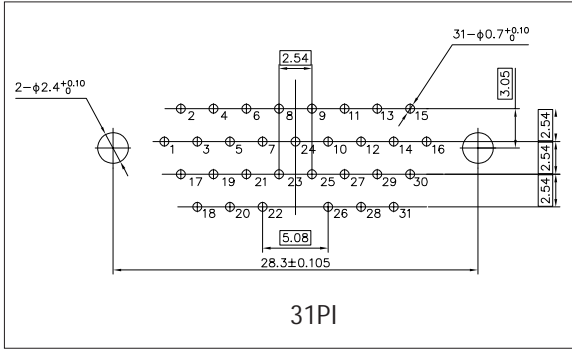
PCB layout for receptacle



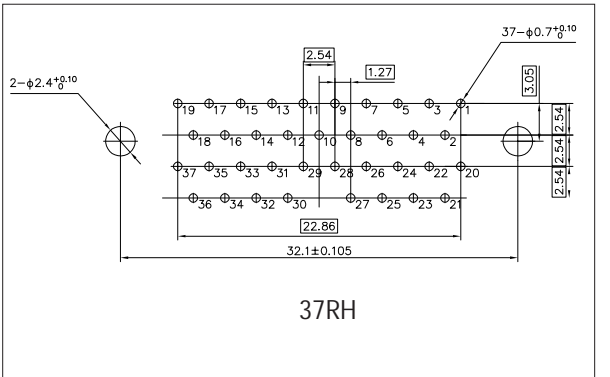
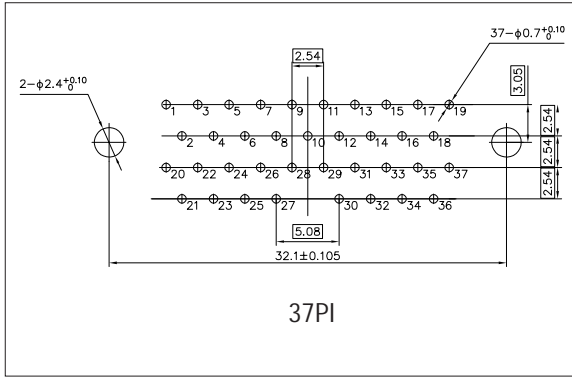
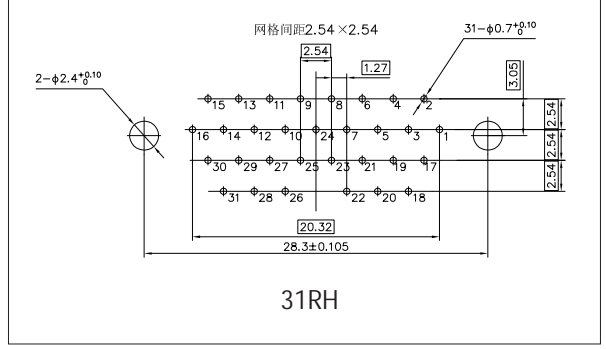
Notes: 1. all dimensions are in mm. 2.View top side of PCB board.

Recommend PCB layout for FA style

PCB layout for plug



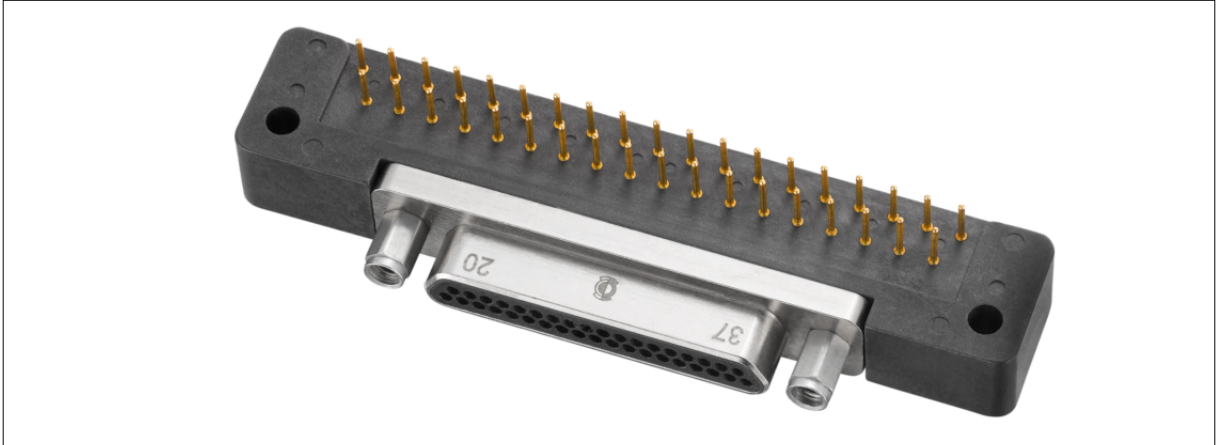
PCB layout for receptacle



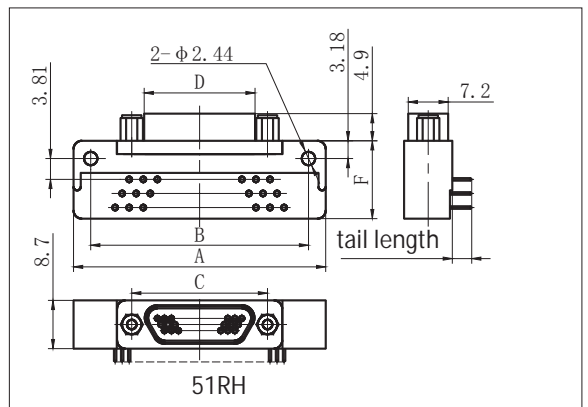
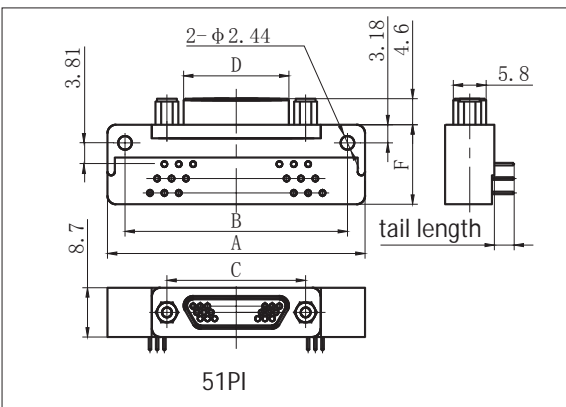
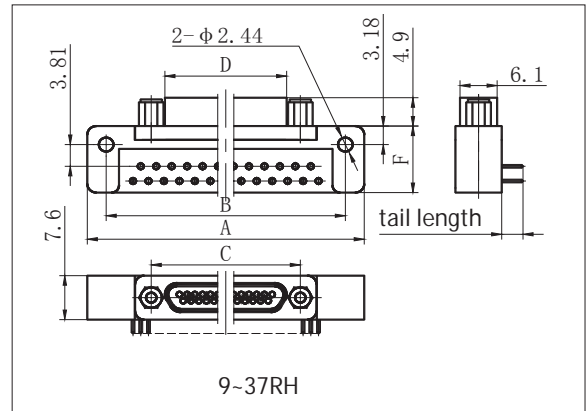
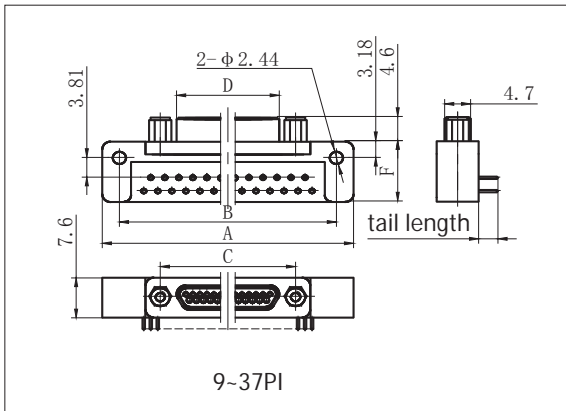
Notes: 1. all dimensions are in mm. 2.View top side of PCB board.

R04A series right angle to PCB connectors for FB style

Product stereogram

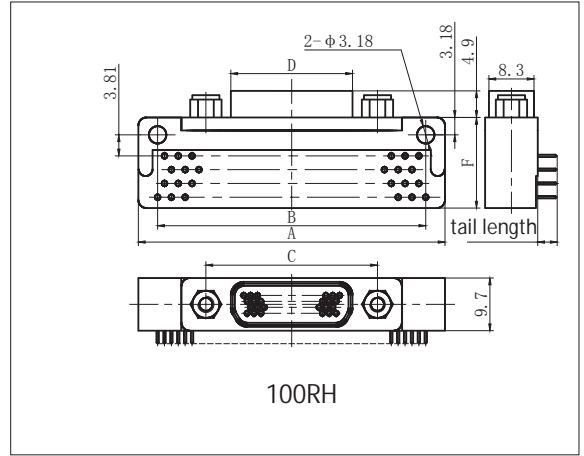
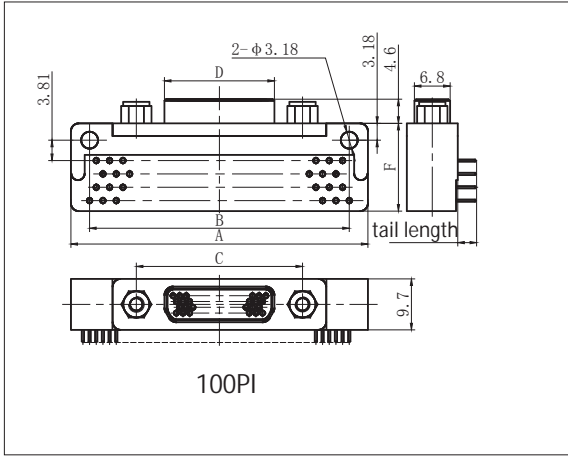


Outline Dimension



Notes: 1. all dimensions are in mm.

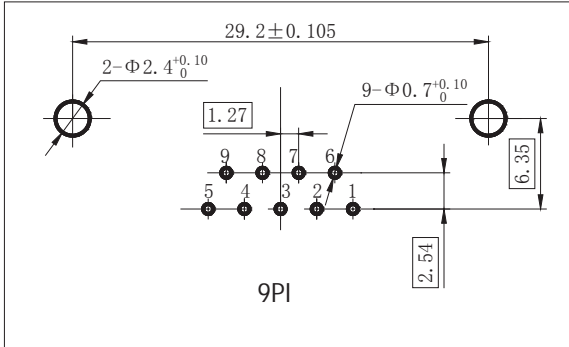
Outline Dimension



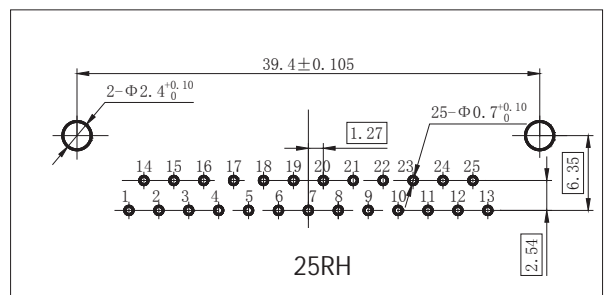
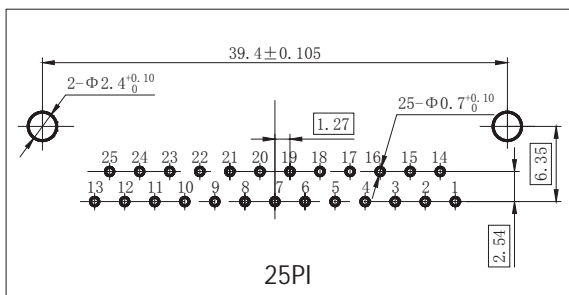
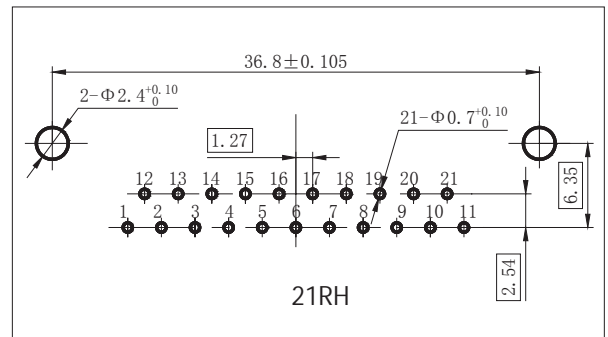
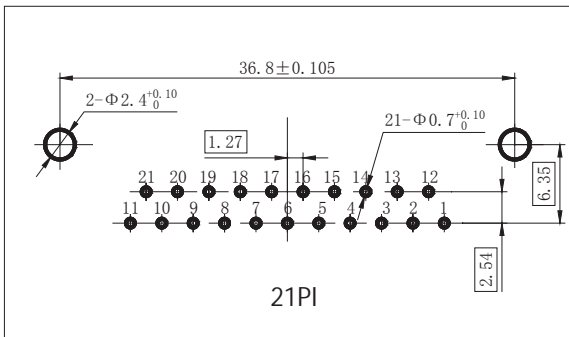
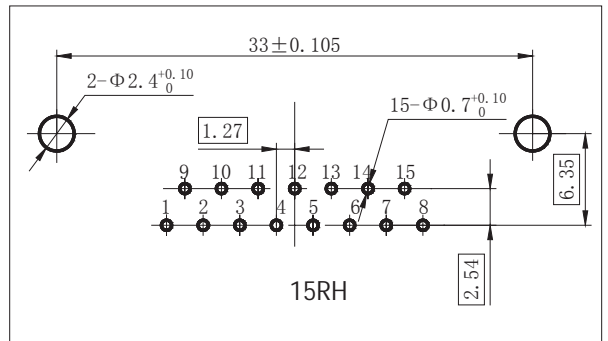
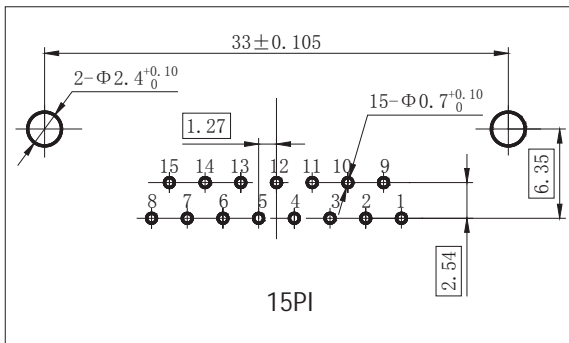
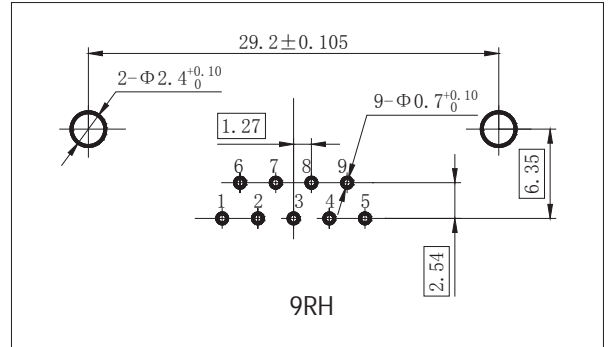
Contact Nos	Outline dimension(in mm)				
	A	B	C	D	F
9PI	35.2	29.2	14.3	8.4	11.5
15PI	39	33	18.2	12.3	11.5
21PI	42.8	36.8	22	16.1	11.5
25PI	45.4	39.4	24.5	18.6	11.5
31PI	51.7	45.7	28.3	22.4	11.5
37PI	59.3	53.3	32.1	26.2	11.5
51PI	47.6	40.6	30.9	25	14.3
100PI	70.5	63.5	45.7	35.1	16.8
9RH	35.2	29.2	14.3	8.4	11.5
15RH	39	33	18.2	12.3	11.5
21RH	42.8	36.8	22	16.1	11.5
25RH	45.4	39.4	24.5	18.6	11.5
31RH	51.7	45.7	28.3	22.4	11.5
37RH	59.3	53.3	32.1	26.2	11.5
51RH	47.6	40.6	30.9	25	14.3
100RH	70.5	63.5	45.7	35.1	16.8

Recommend the PCB layout for FB style

PCB layout for plug



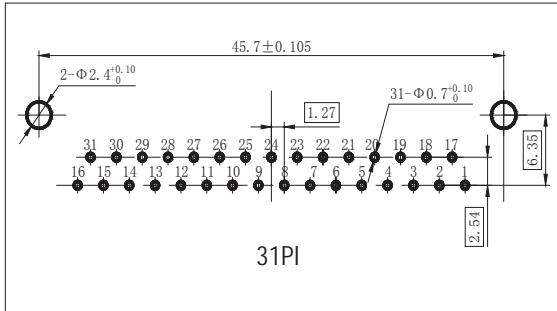
PCB layout for receptacle



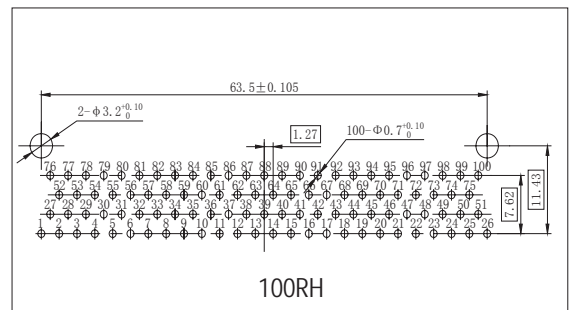
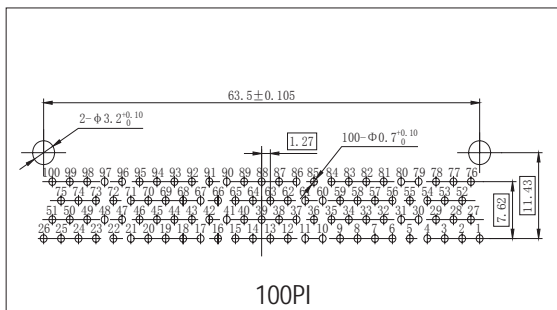
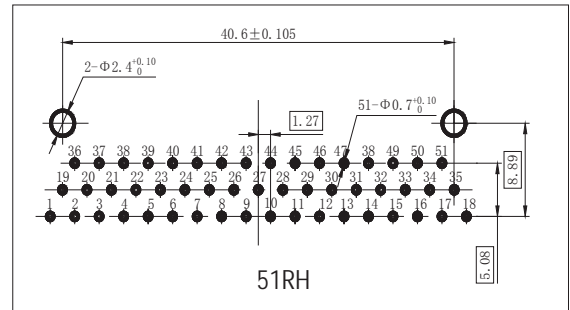
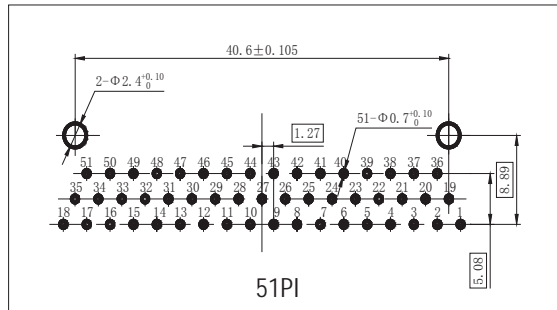
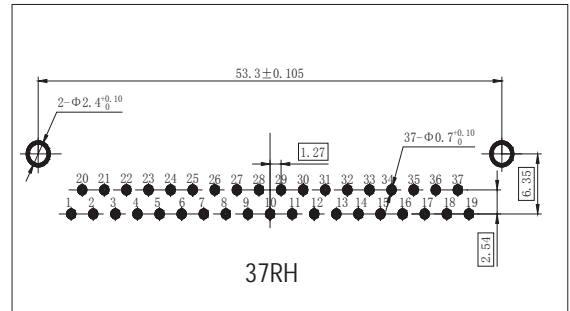
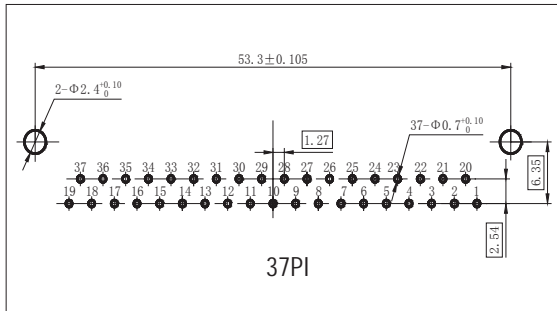
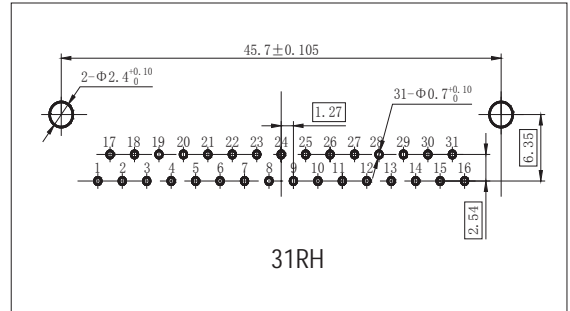
Notes: 1. all dimensions are in mm. 2.View top side of PCB board.

Recommend the PCB layout for FB style

PCB layout for plug



PCB layout for receptacle



Notes: 1. all dimensions are in mm. 2. View top side of PCB board.