

1. Brief introduction

This circular connector is designed according to the user requirements, receptacle with 26AWG wire, plug with straight to PCB termination & plug can be with wire, simple structure & good performance, It's widely used in medical , electronics and other fields.

2. Design feature and benefits

- simple structure, competitive price.
- convenient to use, extensive usage.
- Receptacle with PTFE 26AWG wire.
- Plug with straight to PCB termination & plug can be with cable.

3. Performance index

- Plug contact: rigid contact
- No.of contact: 12pins,16pins
- Rated current : 2A
- Insulation resistance : $\geq 5000 \text{ M}\Omega$
- Dielectric strength:500V
- Contact resistance: $\leq 10 \text{ m}\Omega$
- Durability: 50 Cycles
- Working temperature : $-40^{\circ}\text{C} \sim +85^{\circ}\text{C}$
- Vibration: 10 Hz \sim 1500Hz, 120 m/s^2
- Mechanical Shock: 980 m/s^2
- Random vibration: Power spectral density 0.3 G^2/Hz , Root-mean-square value of total acceleration: 20.0

4. Connector Materials and Surface Treatment

Parts name	Materials	Surface Treatment
Pin	Copper alloy	Gold 2um
Housing	PPS	/

5. Environment Protect data (ROHS)

matter	Hg	Pb	Cr(VI)	PBB	PBDE	Cd
meet	or	exempt	meet	exempt	meet	meet

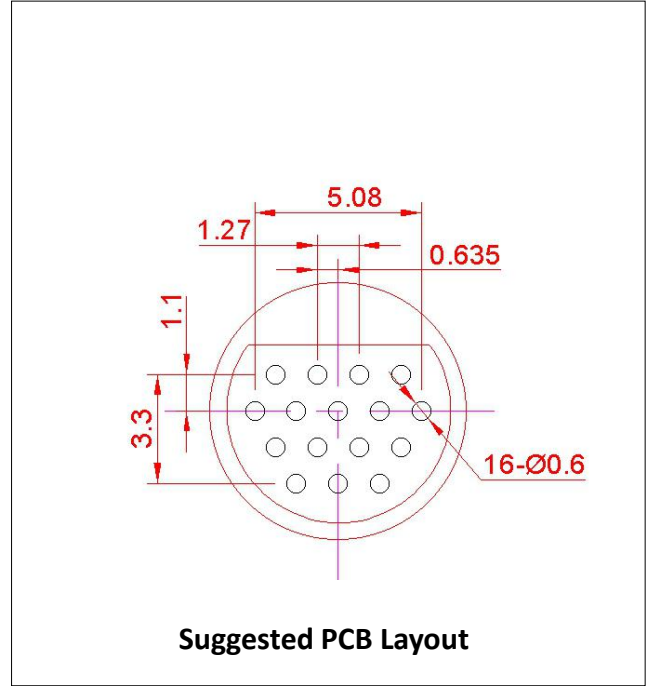
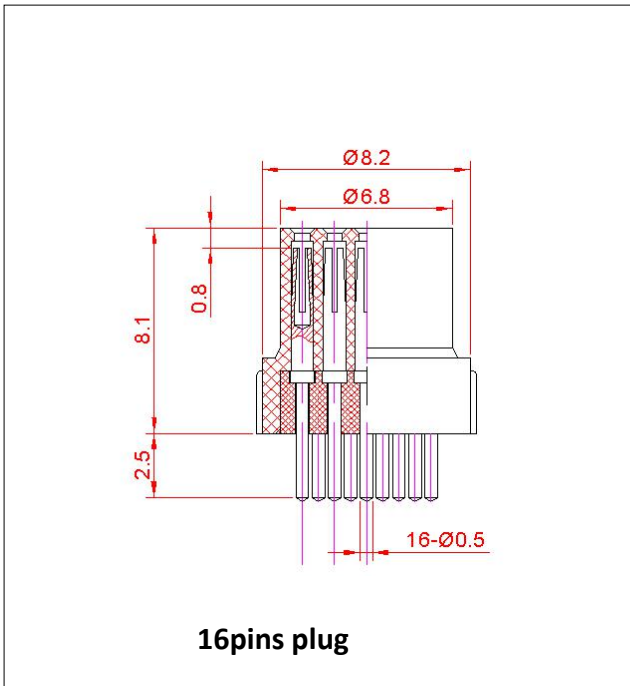
6. How to order

Sample Part Number	R016	- 12	RI	A
Sunkye series: R016				
No. of contacts: 12, 16 pins				
Contact type & termination type:				
PH - Socket in plug, straight to PCB				
RI - pin in receptacle				
Wires type & length:				
A - PTFE 26AWG ,180mm				
B - PTFE 26AWG ,500mm				
C - PTFE 26AWG ,1000mm				
D - PTFE 26AWG ,non standard length.(Please specify the wire length)				
Omit for Straight to PCB connectors.				

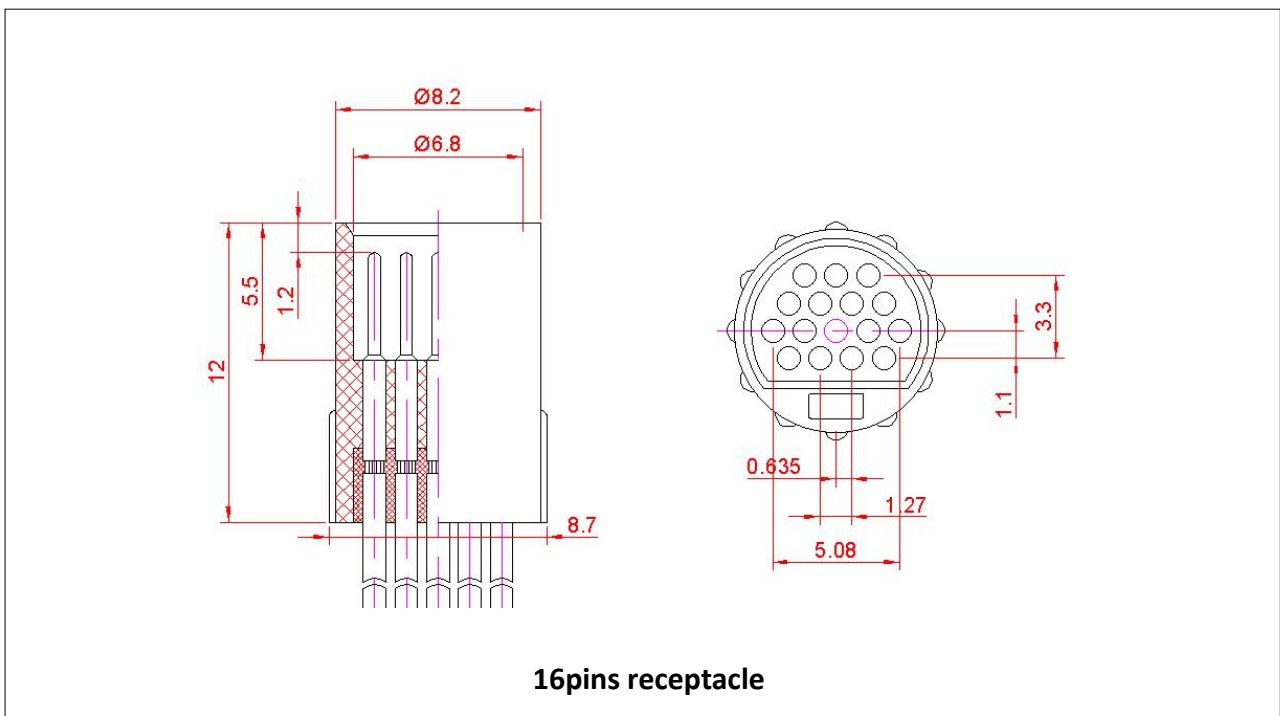
7. Outline Dimension

7.1 16pins connector

7.1.1 Plug(PH) - Straight go PCB



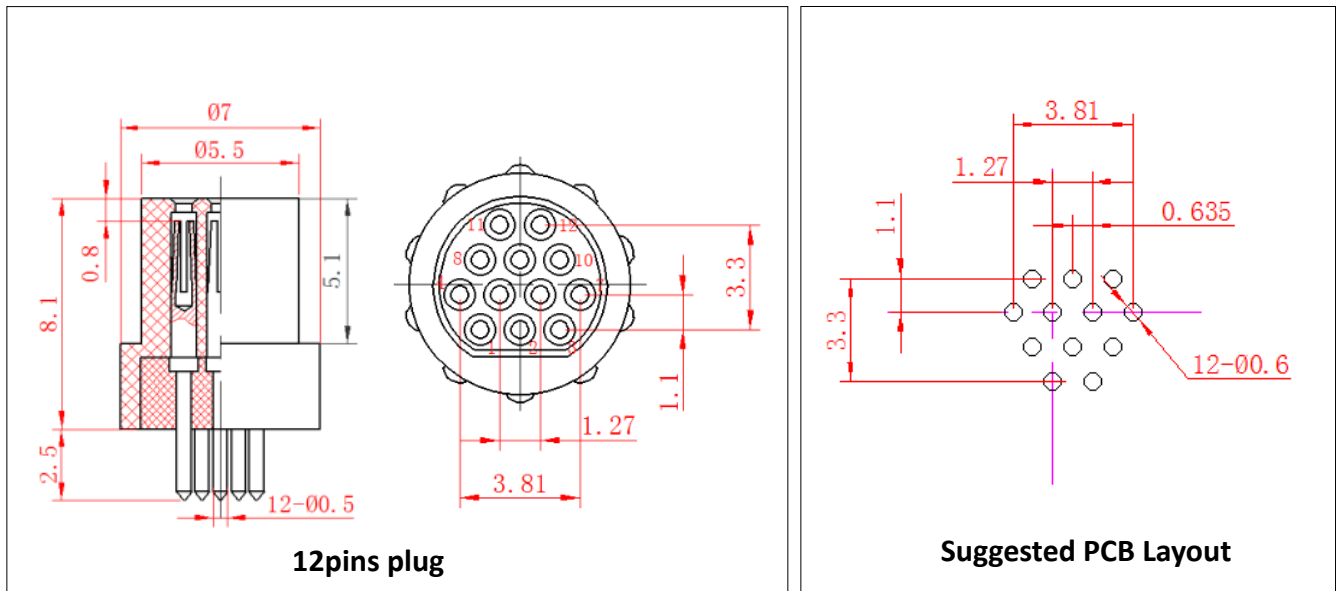
7.1.2 Receptacle(RI) - with PTFE 16AWG wire



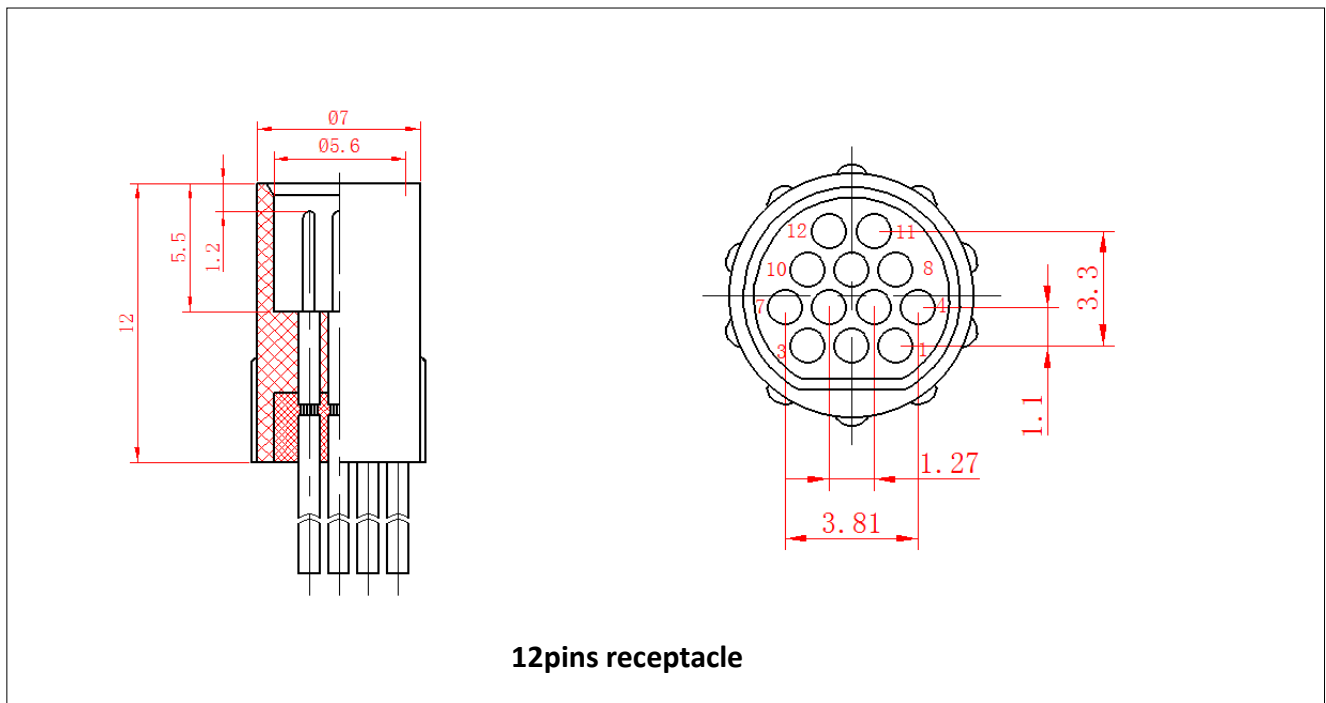
Note:all dimensions are in mm.

7.2 12pins connector

7.2.1 Plug(PH) - Straight go PCB

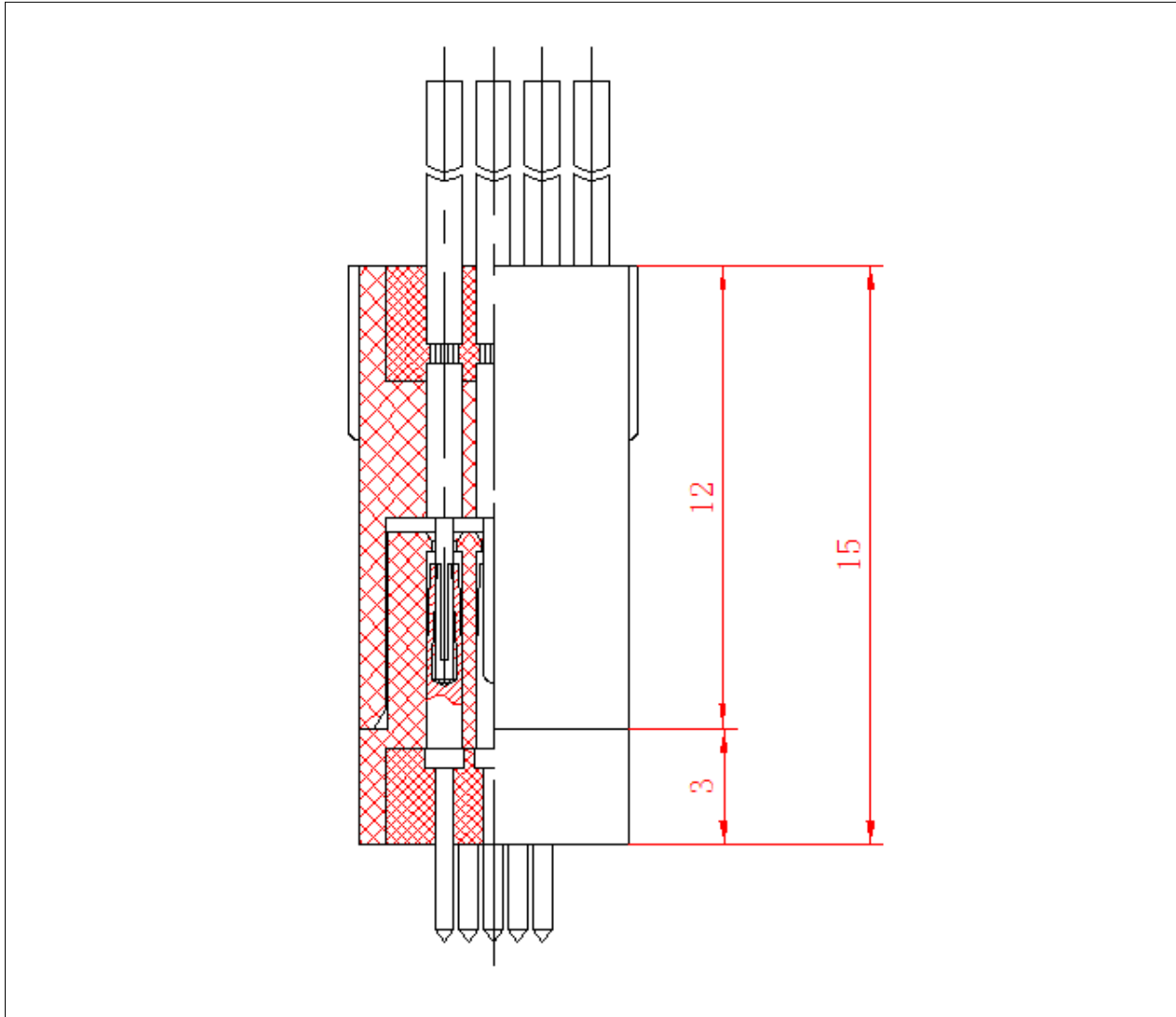


7.2.2 Receptacle(RI) - with PTFE 16AWG wire



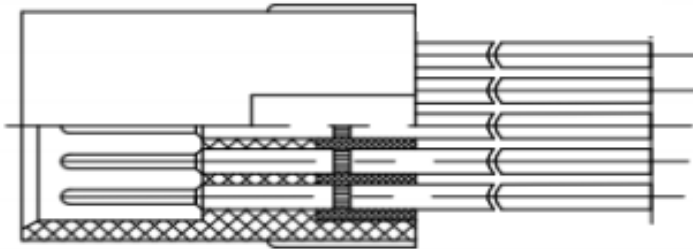
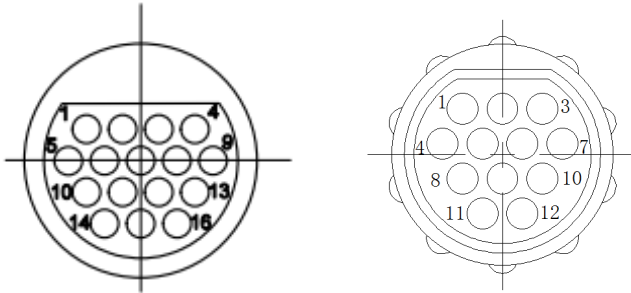
Note:all dimensions are in mm.

7.3 Outline Dimension after mating



Note:all dimensions are in mm.

7.4 Cable Chart



Technical Requirments:

1. Wires type: PTFE 26AWG
2. Wires color must fit the corresponding color in the table;
3. Unmarked tolerance of form and position shall follow GB/T1804-H;
4. The length of wire depends on order requirments.

Pin NO.	Cable Color
1	red/white
2	yellow/white
3	blue/white
4	green/white
5	red
6	yellow
7	blue
8	green
9	copper brown
10	black brown
11	light blue
12	orange
13	purple
14	black
15	white
16	gray