

D205 Push-Pull Circular Connector

Brief Introduction

- Contacts: 4.7.11.19.37.55.85 pin
- Twisit pin contact, high reliable
- Convenient to use, extensive usage
- Simple structure, competitive price
- Locking way: Push-pull, screw-threaded coupling
- Wire core cross sectional area: 0.1mm~.15mm

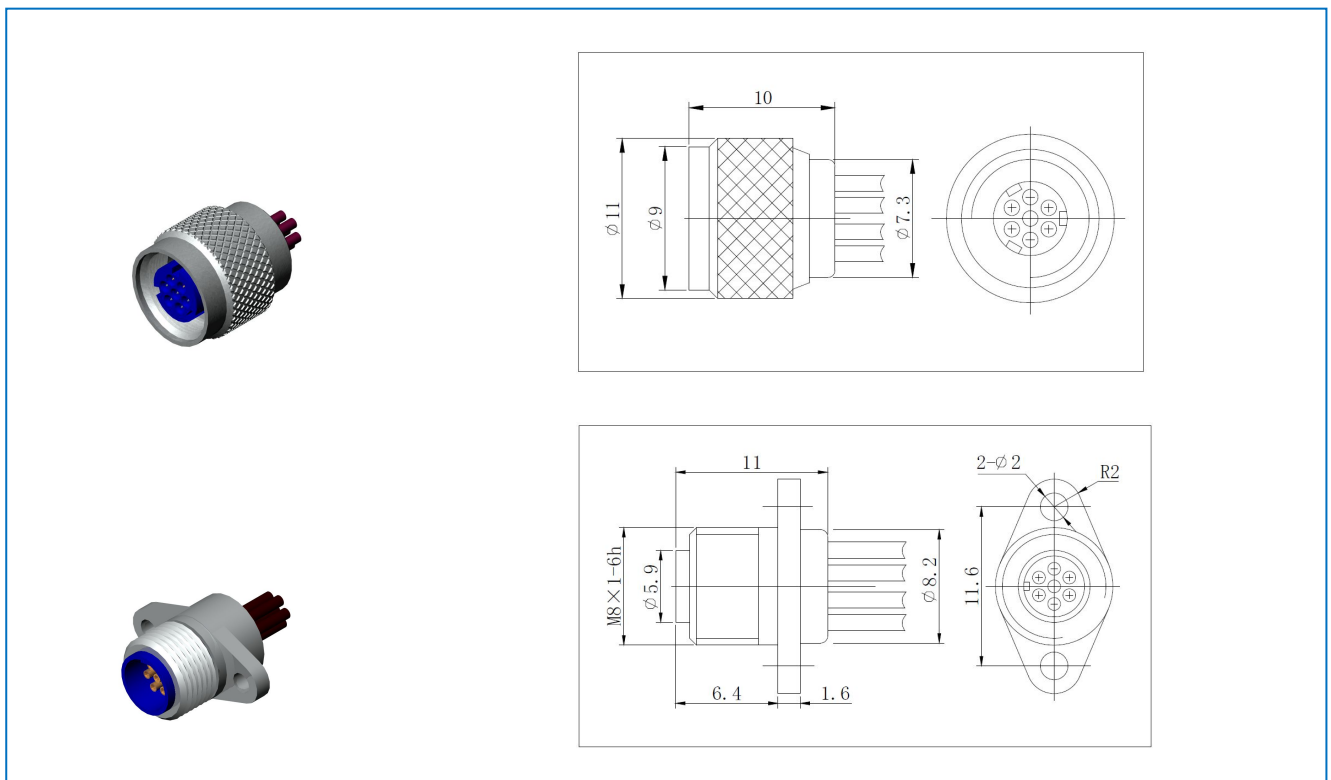
Specification

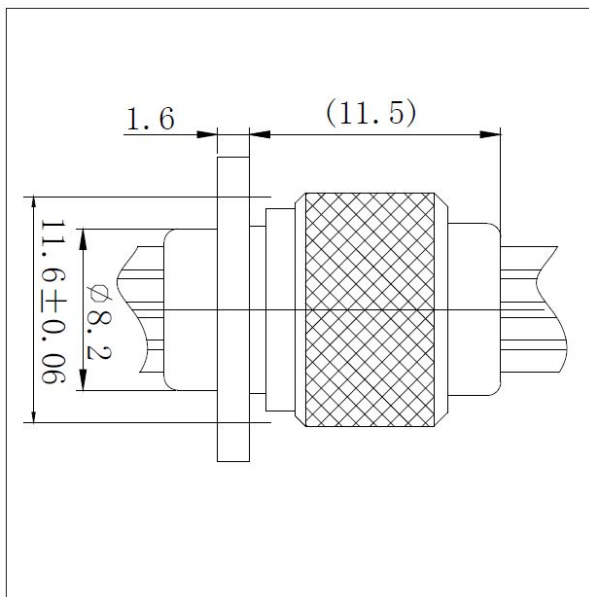
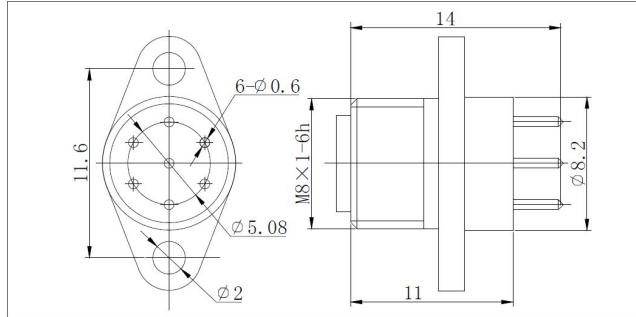
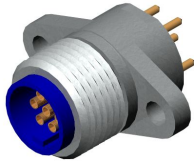
- Dielectric withstand voltage : 600V
- Contact resistance: $\leq 10\text{m}\Omega$; D205M series $\leq 30\text{M}\Omega$
- Working temperature : $-65^{\circ}\text{C} \sim +125^{\circ}\text{C}$
- Random vibration: Power spectral density 0.3 G/Hz, Root-mean-square value of total acceleration: 20G
- Rated current : 1A; D205M series: 3A
- Insulation resistance : $\geq 5000\text{ M}\Omega$
- Shock: 735m/s²
- Durability: 500 cycles
- Vibration: 10Hz~2000Hz 196m/s²

Environment Protect data (ROHS)

matter	Hg	Pb	Cr(VI)	PBB	PBDE	Cd
meet	or	exempt	meet	exempt	meet	meet

Outline Dimension





Mating Dimension